

Erpice fisso

RA



www.alpego.com

Tel +39 0444/64.61.00

Fax +39 0444/64.61.99

e-mail: info@alpego.com

ALPEGO s.p.a.

Sede Amministrativa:

Via Torri di Confine, 6 36053 GAMBELLARA (VICENZA) - ITALY

Sede Legale:

Via Giovanni e Giuseppe Cenzato, 9 36045 LONIGO (VICENZA) - ITALY

Capitale sociale €2.000.000 i.v.

Cod. Fisc. / Part. IVA IT02009840246

R.E.A. 199795/VI/1996

Reg. Imp.VI N°22374/VI/1996

N. Mecc. VI 011754

Copyright © 2009 Alpego s.p.a. ®

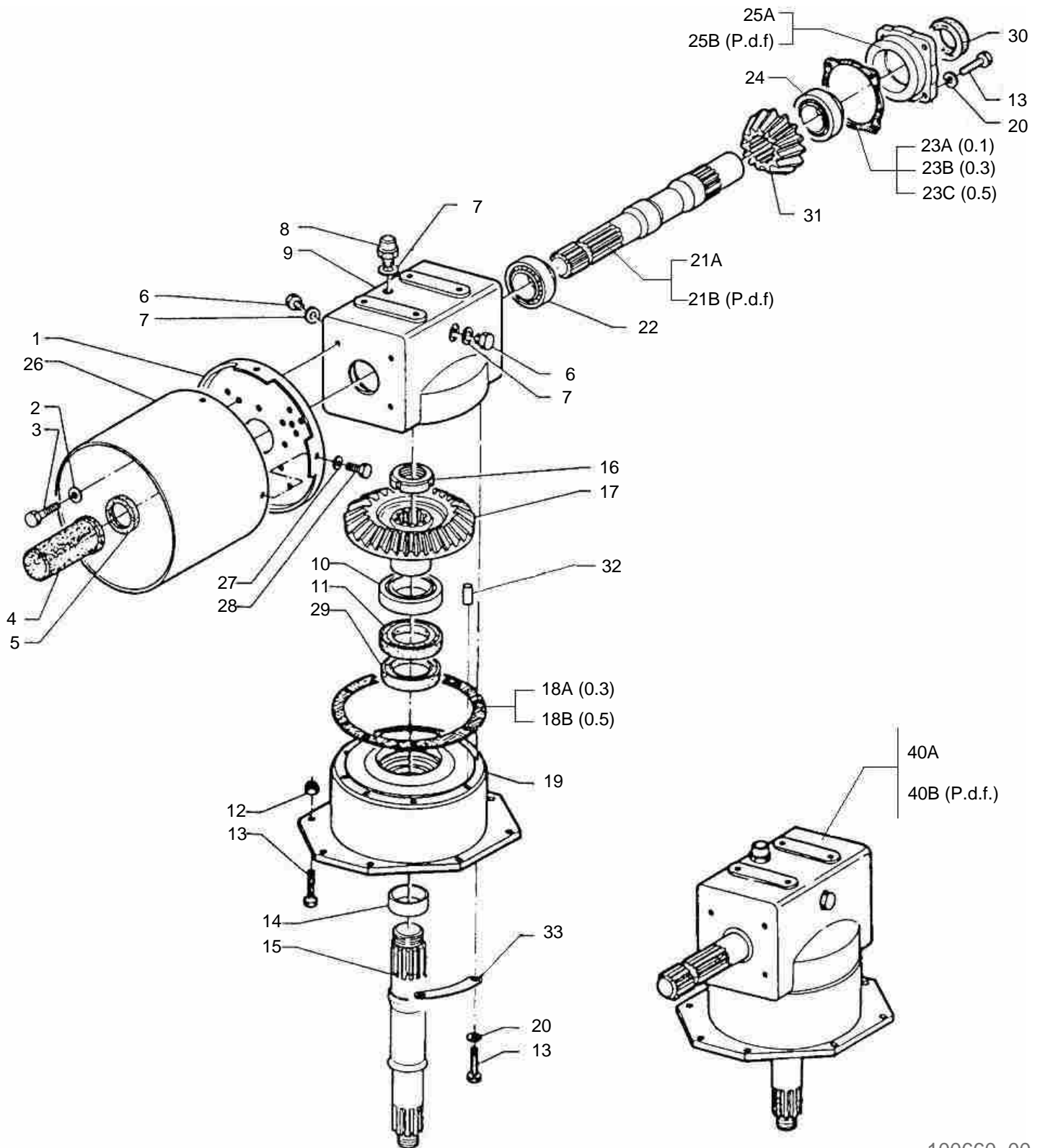
Tutti i diritti sono riservati. È vietata espressamente la ristampa o l'uso non autorizzato senza permesso scritto dalla Alpego s.p.a.

Tous droits réservés. Toute réimpression ou utilisation non autorisée sans la permission écrite de la Alpego s.p.a. est formellement interdite.

Alle Rechte vorbehalten. Nachdruck, Vervielfältigung und Verbreitung, auch auszugsweise, ist ohne schriftliche Genehmigung der Alpego s.p.a.

All rights reserved. Any reprinting or unauthorized use without the written permission of Alpego s.p.a. is expressly prohibited.

Todos los derechos reservados. Toda reproducción o uso no autorizado sin el consentimiento escrito de Alpego s.p.a. quedan expresamente prohibidos.



100660_00



Gruppo cambio

Gearbox group

Groupe boite

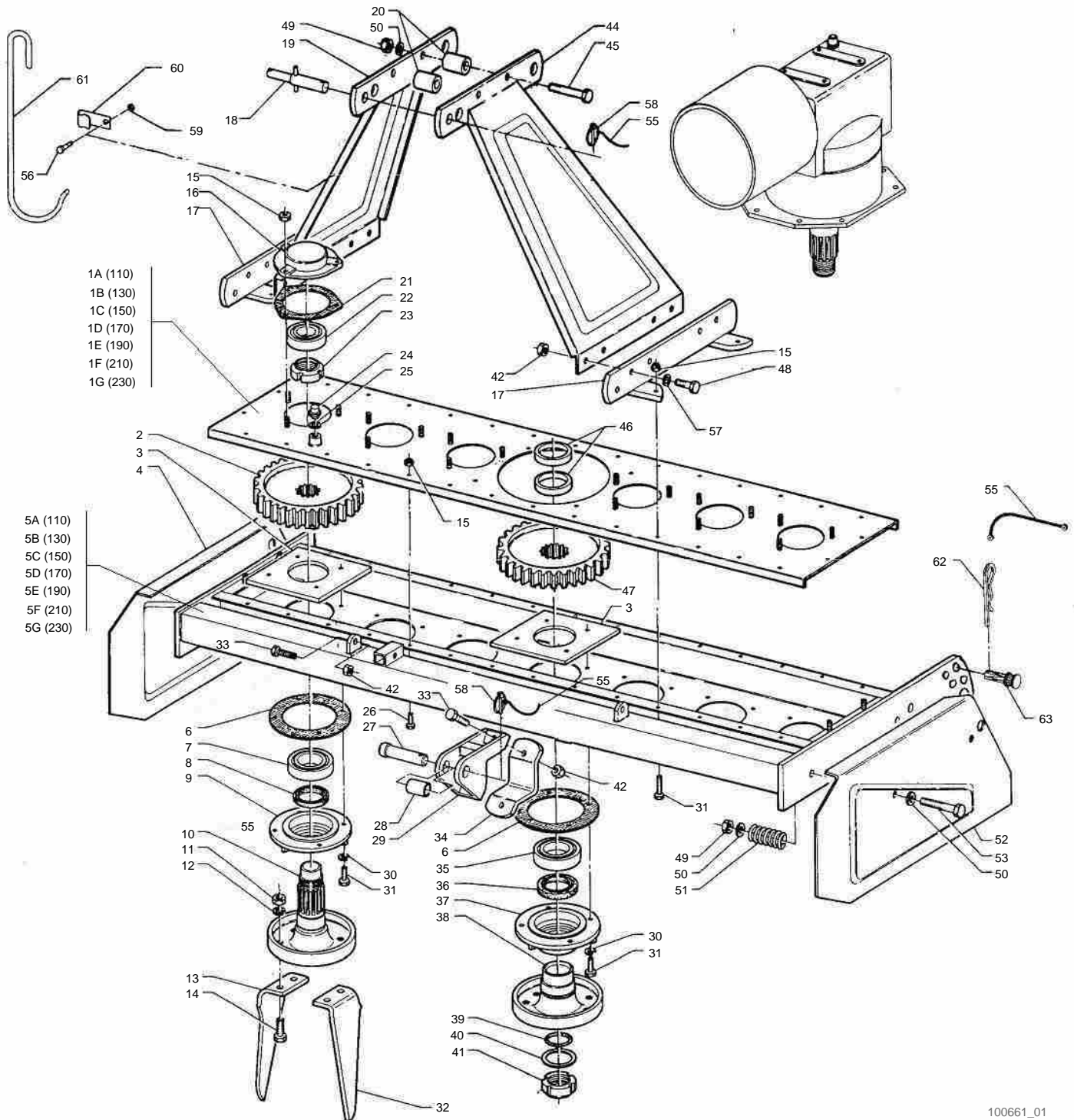
Mehrganggetriebe

Drawing Code:

100660_0

Accessories:

N°	Code	Old.	Descrizione / Description	GB	FR	D	E
1	C20A02468	R11016	FONDELLO PROTEZIONE COMPL PDF RA	BOTTOM	FOND	BODEN	FONDO
2	M90A00027	C03052	RONDELLA PIANA d9xD32x2.5 UNI 6593 ZINC.	WASHER	RONDELLE	UNTERLEGSCHIEBE	ARANDELLA
3	M80A00109	C00120	VITE TE 88 PG FT M8X16 ZINC UNI 5739	SCREW	VIS	SCHRAUBE	TORNILLO
5	H00A00100	R11040	ANELLO TENUTA GP 40-52-7	RING	AMORTISSEUR	RING	ANILLO
6	H45A00014	C41221	TAPPO CARICO 1/2 (32.A)	PLUG	BOUCHON	STOEPSSEL	ENCHUFE
7	H35A00050	C40391	RONDELLA ALLUMINIO D.22X28X1.5	WASHER	RONDELLE	UNTERLEGSCHIEBE	ARANDELLA
8	H65A00015		"TAPPO SFIATO + GUARNIZIONE 1/2"" (31.A) LABI"	PLUG	BOUCHON	STOEPSSEL	ENCHUFE
9	C15A00811	R11017	SCATOLA RIDUTTORE RA	BOX	BOITE	SCHACTEL	RECUADRO
10	M20A00038	C21136	CUSCINETTO 6212 C3 60X110X22	BEARING	ROULEMENT	KUGELLAGER	COJINETE
11	H00A00107		ANELLO TENUTA GP 60-80-10	RING	AMORTISSEUR	RING	ANILLO
12	M85A00049	C02304	DADO METALBLOC M10	NUT	BOULONS	NUT	DADO
13	M80A00120	C00132	VITE TE 88 PG FT M10X30 ZINC UNI 5739	SCREW	VIS	SCHRAUBE	TORNILLO
14	M25A00011	R11018	DIST. SPALLAMENTO CORONA RIDUTT RA	SPACER	ENTRETOISE	ABSTANDSTUECK	ESPACIADORES
15	M45A00078	P00271	ALBERO TRASM.CENTRALE RIDUT.SIRIO	SHAFT	ARBRE	WELLE	EJE
16	M95A00006	C03515	GHIERA AUTOBLOC.BASSA GUK M45X1,5	METAL RING	RONDELLE	METALL-RING	RUEDA
17	M40A00109	P00272	CORONA CONICA Z29 M7 RA DENTI DRITTI	CROWN	COURONNE	KRONE	CORONA
18A	H30A00022	P00269	GUARNIZIONE SUPP.RIDUTTORE SP 0.3MM	GASKET	GARNITURE	DICHTUNG	GUARNICION
18B	H30A00023	P00270	GUARNIZIONE SUPP.RIDUTTORE SP 0.5MM	GASKET	GARNITURE	DICHTUNG	GUARNICION
19	C15A00812	R11019	BASAMENTO RIDUTTORE RA	BASE	BASE	GRUNDFLAECHE	BASE
20	M90A00042	C03154	RONDELLA GROWER RINF.D.10 ASA B 27	WASHER	RONDELLE	UNTERLEGSCHIEBE	ARANDELLA
21B	M45A00083	R11020	ALBERO P.D.F ANTERIORE / POSTERIORE RA	SHAFT	ARBRE	WELLE	EJE
21A	M45A00084	R11021	ALBERO P.D.F ANTERIORE RA	SHAFT	ARBRE	WELLE	EJE
22	M20A00060	C21408	CUSCINETTO 30208 40X80X19,75	BEARING	ROULEMENT	KUGELLAGER	COJINETE
23A	H30A00028	R11022	GUARNIZIONE COPERCHIETTO POST RA SP 0.1MM	GASKET	GARNITURE	DICHTUNG	GUARNICION
23B	H30A00029	R11023	GUARNIZIONE COPERCHIETTO POST RA SP 0.3MM	GASKET	GARNITURE	DICHTUNG	GUARNICION
23C	H30A00030	R11024	GUARNIZIONE COPERCHIETTO POST RA SP 0.5MM	GASKET	GARNITURE	DICHTUNG	GUARNICION
24	M20A00090	C21710	CUSCINETTO 30310 50X110X29,25	BEARING	ROULEMENT	KUGELLAGER	COJINETE
25A	M35A00045	R11025	COPERCHIETTO POST. RA	LID	COUVERCLE	DECKEL	TAPA
25B	M35A00046	R11026	COPERCHIETTO PER P.D.F POST RA	LID	COUVERCLE	DECKEL	TAPA
27	M90A00005	C03003	RONDELLA PIANA D.8,4 DIN125-A ZINC.	WASHER	RONDELLE	UNTERLEGSCHIEBE	ARANDELLA
28	M80A00110	C00121	VITE TE 88 PG FT M8X20 ZINC UNI 5739	SCREW	VIS	SCHRAUBE	TORNILLO
29	H00A00108		ANELLO TENUTA GP 60-100-10	RING	AMORTISSEUR	RING	ANILLO
30	H00A00106		ANELLO TENUTA GP 35-47-7	RING	AMORTISSEUR	RING	ANILLO
32	MB0A00080	C04742	SPINA CILINDRICA D.10X20 DIN 6325	SOCKET	GOUPILLE	STECKER	PASADOR
33	C05A08649		PIATTO PER SPINE RIDUTTORE RA	METAL STRAP	METAL DEPLOYE	BANDEISEN	PLATILLO
31							
40A	M65A00149	R11028	RIDUTTORE COMPL RA (NO PDF POST)	GEAR REDUCER	RÉDUCTEUR	UNTERSETZUNGSGETRIEBE	REDUCTORES





Telaio e trasmissione

Frame and pulley transmission

Chassis-transmission

Rahmen riemenantrieb

Drawing Code: **100661_1**

Accessories:

N°	Code	Old.	Descrizione / Description	GB	FR	D	E
1A	C20A03126		COPERCHIO VASCA RA-110	LID	COUVERCLE	DECKEL	TAPA
1B	C20A03127		COPERCHIO VASCA RA-130	LID	COUVERCLE	DECKEL	TAPA
1C	C20A03128		COPERCHIO VASCA RA-150	LID	COUVERCLE	DECKEL	TAPA
1D	C20A03129		COPERCHIO VASCA RA-170	LID	COUVERCLE	DECKEL	TAPA
1E	C20A03130		COPERCHIO VASCA RA-190	LID	COUVERCLE	DECKEL	TAPA
1F	C20A03131		COPERCHIO VASCA RA-210	LID	COUVERCLE	DECKEL	TAPA
1G	C20A03132		COPERCHIO VASCA RA-230	LID	COUVERCLE	DECKEL	TAPA
2	M40A00115	R11003	INGRANAGGIO LATERALE Z=40 RA	GEAR	ENGRENAGES	ZAHNRAEDER	ENGRANAJE
3	C15A00810	R11005	FLANGIA INTERNO VASCA RA	FLANGE	FLANC	FLANSCH	FLANGE
4	C20A02469	R11152	FIANCATA MOBILE DESTRA RA	SIDE	LONG	NEBEN	JUNTO
5A	C20A03133		VASCA RA-110	GEAR BED	VASQUE	OEL-WANNE	BAÑO
5B	C20A03134		VASCA RA-130	GEAR BED	VASQUE	OEL-WANNE	BAÑO
5C	C20A03135		VASCA RA-150	GEAR BED	VASQUE	OEL-WANNE	BAÑO
5D	C20A03136		VASCA RA-170	GEAR BED	VASQUE	OEL-WANNE	BAÑO
5E	C20A03137		VASCA RA-190	GEAR BED	VASQUE	OEL-WANNE	BAÑO
5F	C20A03138		VASCA RA-210	GEAR BED	VASQUE	OEL-WANNE	BAÑO
5G	C20A03139		VASCA RA-230	GEAR BED	VASQUE	OEL-WANNE	BAÑO
6	H30A00031	R11029	GUARNIZIONE SUPPORTO PORTADENTI RA	GASKET	GARNITURE	DICHTUNG	GUARNICION
7	M20A00030	C21123	CUSCINETTO 6209 45X85X19	BEARING	ROULEMENT	KUGELLAGER	COJINETE
8	H00A00095	R11006	ANELLO TENUTA GP 50-65-8	RING	AMORTISSEUR	RING	ANILLO
9	M35A00042	R11007	SUPPORTO PORTA DENTI LATERALE RA	SUPPORT	SUPPORT	STUTZE	APOYO
10	M10A00077	R11008	PORTADENTI LATERALE RA	TINE SUPPORT	PORTE DENT	ZINKENTRAEGER	PORTADIENTES
11	M85A00011	C02056	DADO ALTO 8 PF M14X1,5 UNI 5587	NUT	BOULONS	NUT	DADO
12	M90A00046	C03156	RONDELLA GROWER RINF. D.14 ASA B27	WASHER	RONDELLE	UNTERLEGSCHLEIBE	ARANDELLA
13	MK0A00205	P01551	"DENTE SINIS. ""RA"" 80X10X260 D.14.5 I.50"	TOOTH	DENT	ZAHN	DIENTE
14	M80A00321	C00820	VITE TE 88 SPEC. M14X1,5X40 F20	SCREW	VIS	SCHRAUBE	TORNILLO
15	M85A00049	C02304	DADO METALBLOC M10	NUT	BOULONS	NUT	DADO
16	M35A00043	R11009	COPERCHIETTO VASCA RA	LID	COUVERCLE	DECKEL	TAPA
17	C20A03140		ATTACCO TERZO PUNTO RA	CONNECTION	ATTELAGE	ANSCHLUSS	ATAQUE
18	M15A00186	R11030	PERNO D.25/D.19 TERZO PUNTO RA	PIN	PIVOT	STIFT	PIN
19	C20A03144		FIANCATA 3°PUNTO DESTRA RA 2A VERS.	SIDE	LONG	NEBEN	JUNTO
20	C00A01098		DISTANZIALE TERZO PONTO RA	SPACER	ENTRETOISE	ABSTANDSTUECK	ESPACIADORES
21	H30A00027	R11010	GUARNIZIONE COPERCHIETTO VASCA RA	GASKET	GARNITURE	DICHTUNG	GUARNICION
22	M20A00026	C21118	CUSCINETTO 6207 2RS 35X72X17	BEARING	ROULEMENT	KUGELLAGER	COJINETE
23	M95A00005	C03514	GHIRA AUTOBLOC.BASSA GUK M40X1,5	METAL RING	RONDELLE	METALL-RING	RUEDA
25	H35A00045	C40385	RONDELLA RAME 3/4 D.27	WASHER	RONDELLE	UNTERLEGSCHLEIBE	ARANDELLA
26	M80A00109	C00120	VITE TE 88 PG FT M8X16 ZINC UNI 5739	SCREW	VIS	SCHRAUBE	TORNILLO
27	M15A00187	R11154	PERNO ATTACCO TRATTORE RA	PIN	PIVOT	STIFT	PIN
28	C20A03144		FIANCATA 3°PUNTO DESTRA RA 2A VERS.	SIDE	LONG	NEBEN	JUNTO
29	C10A03433	R11011	ATTACCO INF TRATTORE RA	CONNECTION	ATTELAGE	ANSCHLUSS	ATAQUE
30	M90A00042	C03154	RONDELLA GROWER RINF.D.10 ASA B 27	WASHER	RONDELLE	UNTERLEGSCHLEIBE	ARANDELLA
31	M80A00120	C00132	VITE TE 88 PG FT M10X30 ZINC UNI 5739	SCREW	VIS	SCHRAUBE	TORNILLO
32	MK0A00204	P01550	"DENTE DESTRO ""RA"" 80X10X260 D.14.5 I.50"	TOOTH	DENT	ZAHN	DIENTE
33	M80A00130	C00143	VITE TE 88 PG FT M12X35 ZINC UNI 5739	SCREW	VIS	SCHRAUBE	TORNILLO
34	C20A02467	R11012	STAFFA FISS ATTACCO INFERIORE RA	BRACKET	SUPPORT	BUEGEL	SOPORTE
35	M20A00037	C21132	CUSCINETTO 6211 55x100x21	BEARING	ROULEMENT	KUGELLAGER	COJINETE
36	H00A00069	C10165	PARAOLIO BASL D.60X80X10	SEALING RING	JOINT SPI	OELABDICHTUNG	PARAOLIO
37	M35A00044	R11013	SUPPORTO PORTA DENTI CENTRALE RA	SUPPORT	SUPPORT	STUTZE	APOYO
38	M10A00078	R11014	PORTA DENTI CENTRALE RA	DOOR	PORTE	TUER	PUERTA

Copyright © 2009 Alpego s.p.a. ®

Tutti i diritti sono riservati. È vietata espressamente la ristampa o l'uso non autorizzato senza permesso scritto dalla Alpego s.p.a.

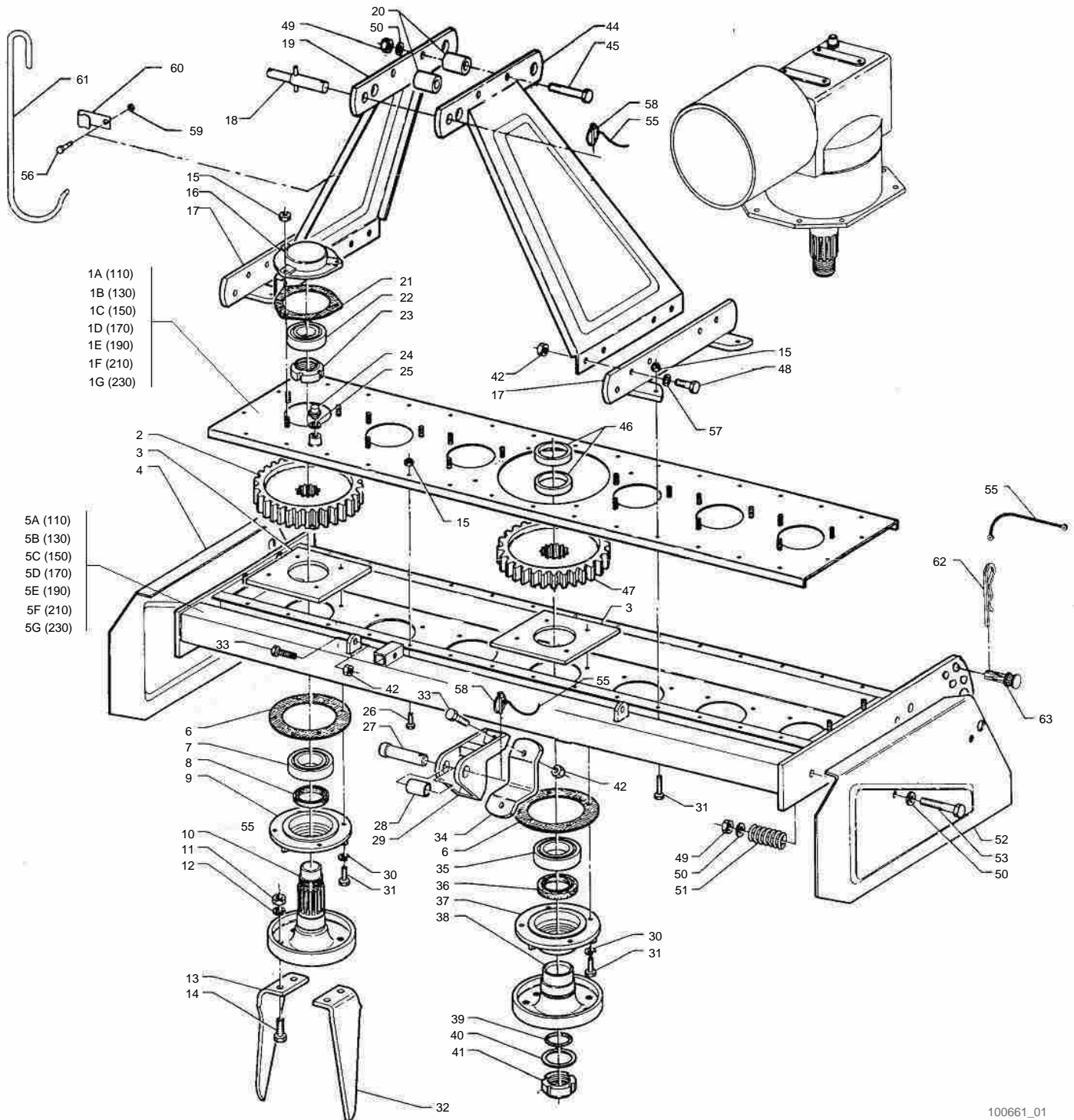
Tous droits réservés. Toute réimpression ou utilisation non autorisée sans la permission écrite de la Alpego s.p.a. est formellement interdite

Alle Rechte vorbehalten. Nachdruck, Vervielfältigung und Verbreitung, auch auszugsweise, ist ohne schriftliche Genehmigung der Alpego s.p.a.

Al rights reserved. Any reprinting or unauthorized use without the written permission of Alpego s.p.a. is expressly prohibited

Todos los derechos reservados. Toda reproducción o uso no autorizado sin el consentimiento escrito de Alpego s.p.a. quedan expresamente prohibidos

04/06/2014



100661_01



Telaio e trasmissione

Frame and pulley transmission

Chassis-transmission

Rahmen riemenantrieb

Drawing Code: **100661_1**

Accessories:

N°	Code	Old.	Descrizione / Description	GB	FR	D	E
39	H05A00038	C10537	ANELLO OR 4150 (222) D.INT.37.69X3,53	RING	AMORTISSEUR	RING	ANILLO
40	M90A00016	C03013	RONDELLA PIANA D.31 DIN 125-A ZINC.	WASHER	RONDELLE	UNTERLEGSCHIEBE	ARANDELLA
41	M95A00010	C03532	GHIERA AUTOBLOC.ALTA GUP M30X1,5	METAL RING	RONDELLE	METALL-RING	RUEDA
42	M85A00078	C02605	DADO AUTOBLOC ALTO 8 M12 H=14 UNI 7473	NUT	BOULONS	NUT	DADO
44	C20A03145		FIANCATA 3°PUNTO SINISTRA RA 2A VERS.	SIDE	LONG	NEBEN	JUNTO
45	M80A00050	C00057	VITE TE 88 PG FP M14X90 ZINC UNI 5737	SCREW	VIS	SCHRAUBE	TORNILLO
46	M25A00010	R11015	DISTANZIALE INGRANAGGIO CENTRALE RA	SPACER	ENTRETOISE	ABSTANDSTUECK	ESPACIADORES
47	M40A00116	R11004	INGRANAGGIO CENTRALE Z=40 CEMENT. TEMP. RA	GEAR	ENGRENAGES	ZAHNRAEDER	ENGRANAJE
48	M80A00050	C00057	VITE TE 88 PG FP M14X90 ZINC UNI 5737	SCREW	VIS	SCHRAUBE	TORNILLO
49	M85A00079	C02606	DADO AUTOBLOC ALTO 8 M14 H=16 UNI 7473	NUT	BOULONS	NUT	DADO
50	M90A00009	C03006	RONDELLA PIANA D.15 DIN125-A ZINC.	WASHER	RONDELLE	UNTERLEGSCHIEBE	ARANDELLA
51	MF5A00099		MOLLA FIANCATA MOBILE RA	SPRING	RESSORT	FEDER	MUELLE
52	C20A02470	R11153	FIANCATA MOBILE SINISTRA RA	SIDE	LONG	NEBEN	JUNTO
53	M80A00051	C00058	VITE TE 88 PG FP M14X110 ZINC UNI 5737	SCREW	VIS	SCHRAUBE	TORNILLO
55	M79A00002	C50650	GOMMINO CON ANELLI L.240 MM.	RUBBER	CAOUTCHOUC	BELAG	GOMAS
56	M80A00109	C00120	VITE TE 88 PG FT M8X16 ZINC UNI 5739	SCREW	VIS	SCHRAUBE	TORNILLO
57	M90A00008	C03005	RONDELLA PIANA D.13 DIN125-A ZINC.	WASHER	RONDELLE	UNTERLEGSCHIEBE	ARANDELLA
58	MB0A00094	C05053	SPINA A SCATTO D.10	SOCKET	GOUPILLE	STECKER	PASADOR
59	M85A00075	C02603	DADO AUTOBLOC ALTO 8 M8 H=10.6 UNI 7473	NUT	BOULONS	NUT	DADO
62	MB0A00087	C05004	SPINA A MOLLA D.4	SOCKET	GOUPILLE	STECKER	PASADOR
63	M15A00185	R11001	PERNO D.16 L=45 UT 32 FORO D.5 LAME RULLO RA	PIN	PIVOT	STIFT	PIN

Barra affinamento

Rear bar

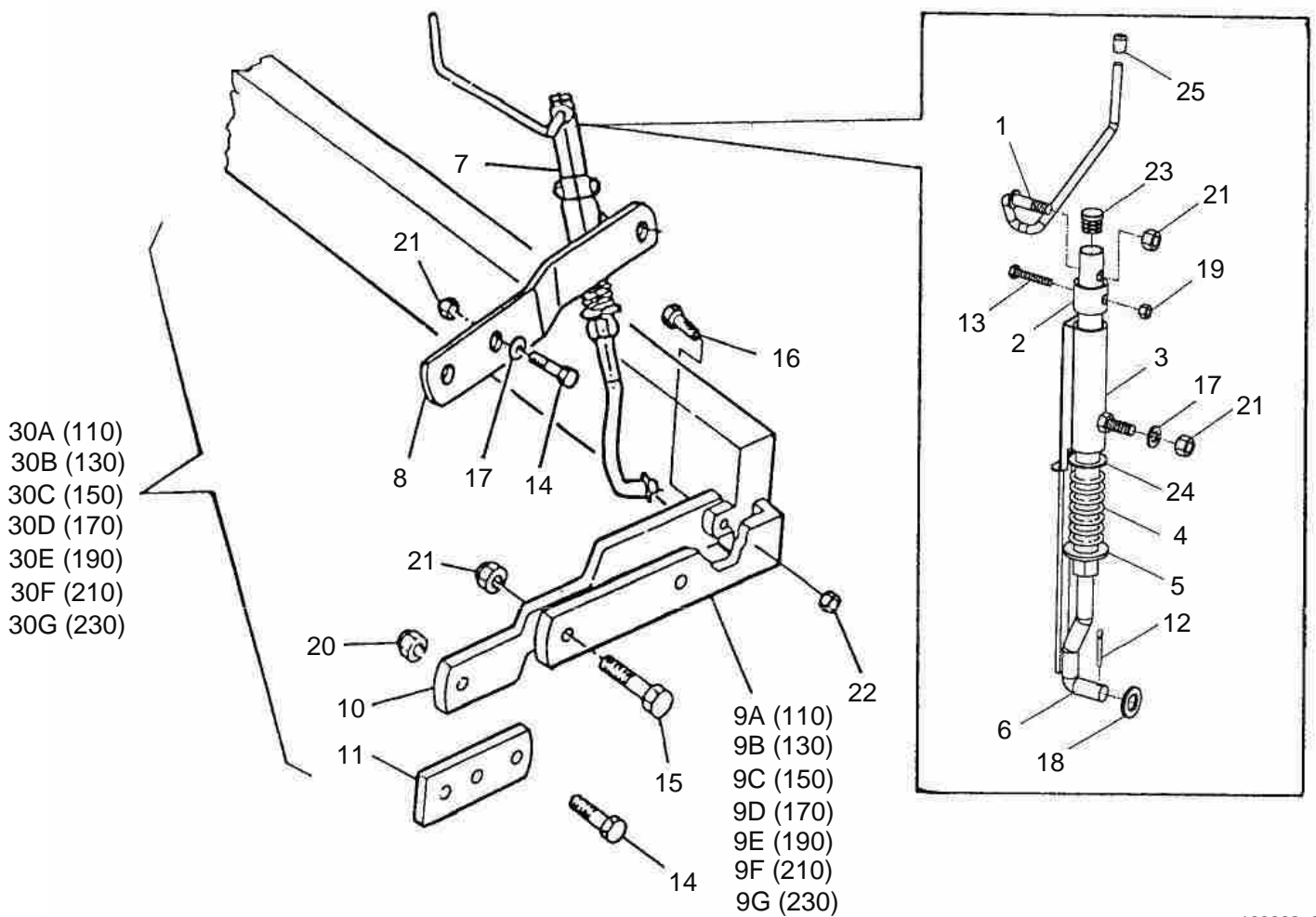
Barra arriere

Hintere stange

Drawing Code:

100662_0

Accessories:





Barra affinamento

Rear bar

Barra arriere

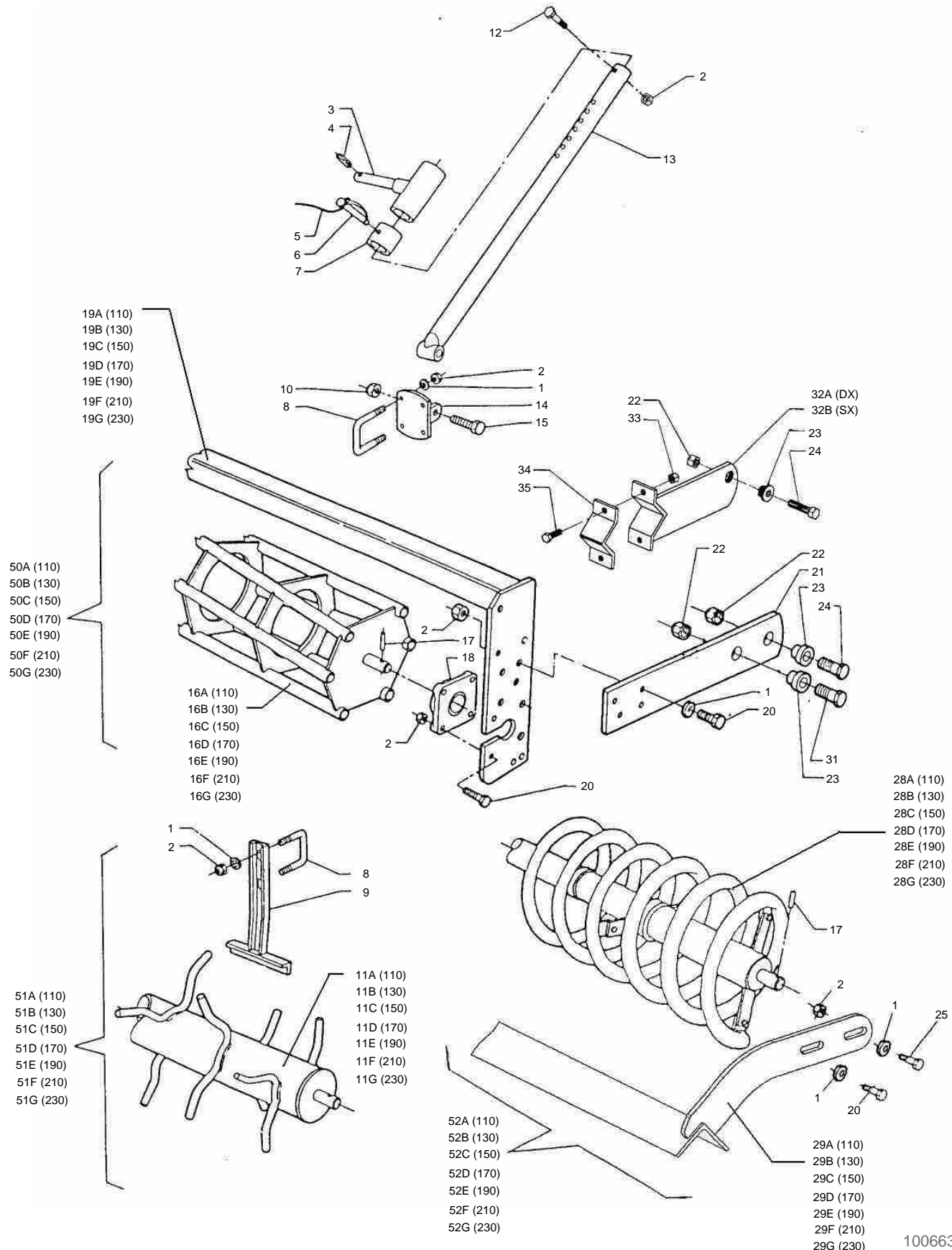
Hintere stange

Drawing Code:

100662_0

Accessories:

N°	Code	Old.	Descrizione / Description	GB	FR	D	E
1	C20A03142		MANICO MANOVELLA BARRA AFF. RA	HANDLE	MANILLE	GRIFF	MANGO
2	C15A01145		DISTANZIALE MANOVELLA M18 RA	SPACER	ENTRETOISE	ABSTANDSTUECK	ESPACIADORES
3	C20A03011		TUBO ESTERNO MANOVELLA RA	TUBE	TUBE	ROHR	TUBO
4	H00A00097	R14011	ANELLO DI TENUTA MIM 25 X 35 X 7	RING	AMORTISSEUR	RING	ANILLO
5	C20A03141		ASTA REGOLAZIONE BARRA AFFINAMENTO RA	ROD	POLE	STIFT	POLOS
6	C15A01146		ASTA FILETTATA REGOLAZIONE BARRA AFF. RA	ROD	POLE	STIFT	POLOS
7	M79A00265		MANOVELLA COMPLETA RA	CRANK	MANIVELLE	SPINDEL	MANIVELA
8	C10A03971		PIATTO SUPPORTO MANOVELLA RA	METAL STRAP	METAL DEPLOYE	BANDEISEN	PLATILLO
9A	C20A02785	R11158	BARRA AFFINAMENTO RA-110	BAR	BARRE	STAB	BARRA
9B	C20A02786	R11159	BARRA AFFINAMENTO RA-130	BAR	BARRE	STAB	BARRA
9C	C20A02787	R11160	BARRA AFFINAMENTO RA-150	BAR	BARRE	STAB	BARRA
9D	C20A02788	R11161	BARRA AFFINAMENTO RA-170	BAR	BARRE	STAB	BARRA
9E	C20A02789	R11162	BARRA AFFINAMENTO RA-190	BAR	BARRE	STAB	BARRA
9F	C20A02790	R11163	BARRA AFFINAMENTO RA-210	BAR	BARRE	STAB	BARRA
9G	C20A02791	R11164	BARRA AFFINAMENTO RA-230	BAR	BARRE	STAB	BARRA
10	C10A03971		PIATTO SUPPORTO MANOVELLA RA	METAL STRAP	METAL DEPLOYE	BANDEISEN	PLATILLO
11	C05A08651		LAMA ATTACCO BARRA AFF. RA	METAL PLATE	LAME	METALL-PLATTE	CUCHILLA
12	MB5A00009	C04822	COPPIGLIA D.4X32	COTTER PIN	GOUPILLE	SPLINT	COPPIGLIA
13	M80A00006	C00009	VITE TE 88 PG FP M8X45 ZINC UNI 5737	SCREW	VIS	SCHRAUBE	TORNILLO
14	M80A00013	C00016	VITE TE 88 PG FP M10X45 ZINC UNI 5737	SCREW	VIS	SCHRAUBE	TORNILLO
15	M80A00130	C00143	VITE TE 88 PG FT M12X35 ZINC UNI 5739	SCREW	VIS	SCHRAUBE	TORNILLO
16	M80A00179	C00229	VITE TE 10.9 M16X1,5X45 ZINC F25	SCREW	VIS	SCHRAUBE	TORNILLO
17	M90A00008	C03005	RONDELLA PIANA D.13 DIN125-A ZINC.	WASHER	RONDELLE	UNTERLEGSCHIEBE	ARANDELLA
18	M90A00010	C03007	RONDELLA PIANA D.17 DIN125-A ZINC.	WASHER	RONDELLE	UNTERLEGSCHIEBE	ARANDELLA
19	M85A00075	C02603	DADO AUTOBLOC ALTO 8 M8 H=10.6 UNI 7473	NUT	BOULONS	NUT	DADO
20	M85A00077	C02604	DADO AUTOBLOC ALTO 8 M10 H=11.5 UNI 7473	NUT	BOULONS	NUT	DADO
21	M85A00078	C02605	DADO AUTOBLOC ALTO 8 M12 H=14 UNI 7473	NUT	BOULONS	NUT	DADO
22	M85A00089	C02657	DADO AUTOBLOC ALTO 8 M16X1,5 H=18 UNI 7473	NUT	BOULONS	NUT	DADO
23	G10A00007	C50120	TAPPO PLASTICA TUBO D.25	PLUG	BOUCHON	STOEPSSEL	ENCHUFE
24	C05A08650		SPESSORE REGISTRO 27.5X43X2	THICKNESS	CALES	DICKE	ESPESOR
25	G10A00015	C50130	TAPPO PLASTICA FEMMINA D.10	PLUG	BOUCHON	STOEPSSEL	ENCHUFE
30C	S80A00002	P00540	KIT BARRA AFFINAMENTO 150	KIT	KIT	KIT	KIT
30D	S80A00003	P00541	KIT BARRA AFFINAMENTO 170	KIT	KIT	KIT	KIT
30E	S80A00004	P00542	KIT BARRA AFFINAMENTO 190	KIT	KIT	KIT	KIT
30F	S80A00005	P00543	KIT BARRA AFFINAMENTO 210	KIT	KIT	KIT	KIT
30G	S80A00006	P00544	KIT BARRA AFFINAMENTO 230	KIT	KIT	KIT	KIT
30A	S80A00010	P00938	BARRA AFFINAMENTO 110	BAR	BARRE	STAB	BARRA
30B	S80A00011	P00939	BARRA AFFINAMENTO 130	BAR	BARRE	STAB	BARRA





Rullo G1-P1-SP1
Spike G1-P1-SP1
Rouleau G1-P1-SP1
Zinken G1-P1-SP1

Drawing Code: **100663_1**

Accessories:

N°	Code	Old.	Descrizione / Description	GB	FR	D	E
1	M90A00007	C03004	RONDELLA PIANA D.10,5 DIN125-A ZINC.	WASHER	RONDELLE	UNTERLEGSCHIEBE	ARANDELLA
4	MB0A00022	C04533	SPINA ELASTICA D.8X45	SOCKET	GOUPILLE	STECKER	PASADOR
5	M79A00002	C50650	GOMMINO CON ANELLI L.240 MM.	RUBBER	CAOUTCHOUC	BELAG	GOMAS
6	MB0A00096	C05055	SPINA A SCATTO D.10 CON TIRANTE IN GOMMA	SOCKET	GOUPILLE	STECKER	PASADOR
8	MD5A00011	D03119	CAVALLOTTO QUADRO M10 80x80	PIN	CAVALLIER	STIFT	CAVALLOTTI
9	C20A03143		RASCHIATORE SPUNTONI RA	SCRAPER	SCRAPERS	ABSTREIFER	RASCADORES
2	M85A00077	C02604	DADO AUTOBLOC ALTO 8 M10 H=11.5 UNI 7473	NUT	BOULONS	NUT	DADO
10	M85A00089	C02657	DADO AUTOBLOC ALTO 8 M16X1,5 H=18 UNI 7473	NUT	BOULONS	NUT	DADO
12	M80A00020	C00023	VITE TE 88 PG FP M10X55 UNI 5737	SCREW	VIS	SCHRAUBE	TORNILLO
15	M80A00187	C00238	VITE TE 88 PF FP M16X1,5X100 ZINC UNI 57	SCREW	VIS	SCHRAUBE	TORNILLO
17	MB0A00019	C04530	SPINA ELASTICA D.8X30	SOCKET	GOUPILLE	STECKER	PASADOR
18	M30A00002	C23011	SUPPORTO UCF 205	SUPPORT	SUPPORT	STUTZE	APOYO
19B							
19C							
19D	C20A01615	E09426	TELAIO RULLO SP1-170	FRAME	CHASSIS	RAHMEN	MARCO
19E	C20A01616	E09427	TELAIO RULLO SP1-190	FRAME	CHASSIS	RAHMEN	MARCO
19F	C20A01617	E09428	TELAIO RULLO SP1-210	FRAME	CHASSIS	RAHMEN	MARCO
19G	C20A01618	E09429	TELAIO RULLO SP1-230	FRAME	CHASSIS	RAHMEN	MARCO
20	M80A00121	C00133	VITE TE 88 PG FT M10X35 ZINC UNI 5739	SCREW	VIS	SCHRAUBE	TORNILLO
21	C15A00809	R11002	LAMA RULLO LATERALE RA	METAL PLATE	LAME	METALL-PLATTE	CUCHILLA
22	M85A00089	C02657	DADO AUTOBLOC ALTO 8 M16X1,5 H=18 UNI 7473	NUT	BOULONS	NUT	DADO
23	M25A00048	R11149	BUSSOLA D.16.5 D.36 H.18 (DA MATRICOLA 03770)	BUSHING	ENTRETOISE	BUCHSE	BRUJULA
24	M80A00179	C00229	VITE TE 10.9 M16X1,5X45 ZINC F25	SCREW	VIS	SCHRAUBE	TORNILLO
25	M80A00123	C00135	VITE TE 88 PG FT M10X45 ZINC UNI 5739	SCREW	VIS	SCHRAUBE	TORNILLO
28G	C20A00607	E03330	RULLO SPIRAL SP1 230	ROLLER	ROULEAU	WALZE	RODILLO
28D	C20A01619	E09430	RULLO SPIRAL SP1 170	ROLLER	ROULEAU	WALZE	RODILLO
28E	C20A01620	E09431	RULLO SPIRAL SP1 190	ROLLER	ROULEAU	WALZE	RODILLO
28F	C20A01621	E09432	RULLO SPIRAL SP1 210	ROLLER	ROULEAU	WALZE	RODILLO
29G	C20A00608	E03334	TELAIO RASCHIATORE SP1-230	FRAME	CHASSIS	RAHMEN	MARCO
29D	C20A01622	E09433	TELAIO RASCHIATORE SP1-170	FRAME	CHASSIS	RAHMEN	MARCO
29E	C20A01623	E09434	TELAIO RASCHIATORE SP1-190	FRAME	CHASSIS	RAHMEN	MARCO
29F	C20A01624	E09435	TELAIO RASCHIATORE SP1-210	FRAME	CHASSIS	RAHMEN	MARCO
31	M80A00183	C00234	VITE TE 88 PF FP M16X1,5X65 ZINC UNI 573	SCREW	VIS	SCHRAUBE	TORNILLO
33	M85A00078	C02605	DADO AUTOBLOC ALTO 8 M12 H=14 UNI 7473	NUT	BOULONS	NUT	DADO
35	M80A00131	C00144	VITE TE 88 PG FT M12X40 ZINC UNI 5739	SCREW	VIS	SCHRAUBE	TORNILLO
50A	S05A00001	P00901	KIT RULLO G1-110 GABBIA	KIT	KIT	KIT	KIT
50B	S05A00002	P00902	KIT RULLO G1-130 GABBIA	KIT	KIT	KIT	KIT
50C	S05A00003	P00903	KIT RULLO G1-150 GABBIA	KIT	KIT	KIT	KIT
50D	S05A00004	P00904	KIT RULLO G1-170 GABBIA	KIT	KIT	KIT	KIT
50E	S05A00005	P00905	KIT RULLO G1-190 GABBIA	KIT	KIT	KIT	KIT
50F	S05A00006	P00906	KIT RULLO G1-210 GABBIA	KIT	KIT	KIT	KIT
50G	S05A00007	P00907	KIT RULLO G1-230 GABBIA	KIT	KIT	KIT	KIT
51A	S15A00003	P00908	KIT RULLO P1-110 SPUNTONI	KIT	KIT	KIT	KIT
51B	S15A00004	P00909	KIT RULLO P1-130 SPUNTONI	KIT	KIT	KIT	KIT
51C	S15A00005	P00910	KIT RULLO P1-150 SPUNTONI	KIT	KIT	KIT	KIT
51D	S15A00006	P00911	KIT RULLO P1-170 SPUNTONI	KIT	KIT	KIT	KIT
51E	S15A00007	P00912	KIT RULLO P1-190 SPUNTONI	KIT	KIT	KIT	KIT
51F	S15A00008	P00913	KIT RULLO P1-210 SPUNTONI	KIT	KIT	KIT	KIT
51G	S15A00009	P00914	KIT RULLO P1-230 SPUNTONI	KIT	KIT	KIT	KIT

Copyright © 2009 Alpego s.p.a. ®

Tutti i diritti sono riservati. È vietata espressamente la ristampa o l'uso non autorizzato senza permesso scritto dalla Alpego s.p.a.

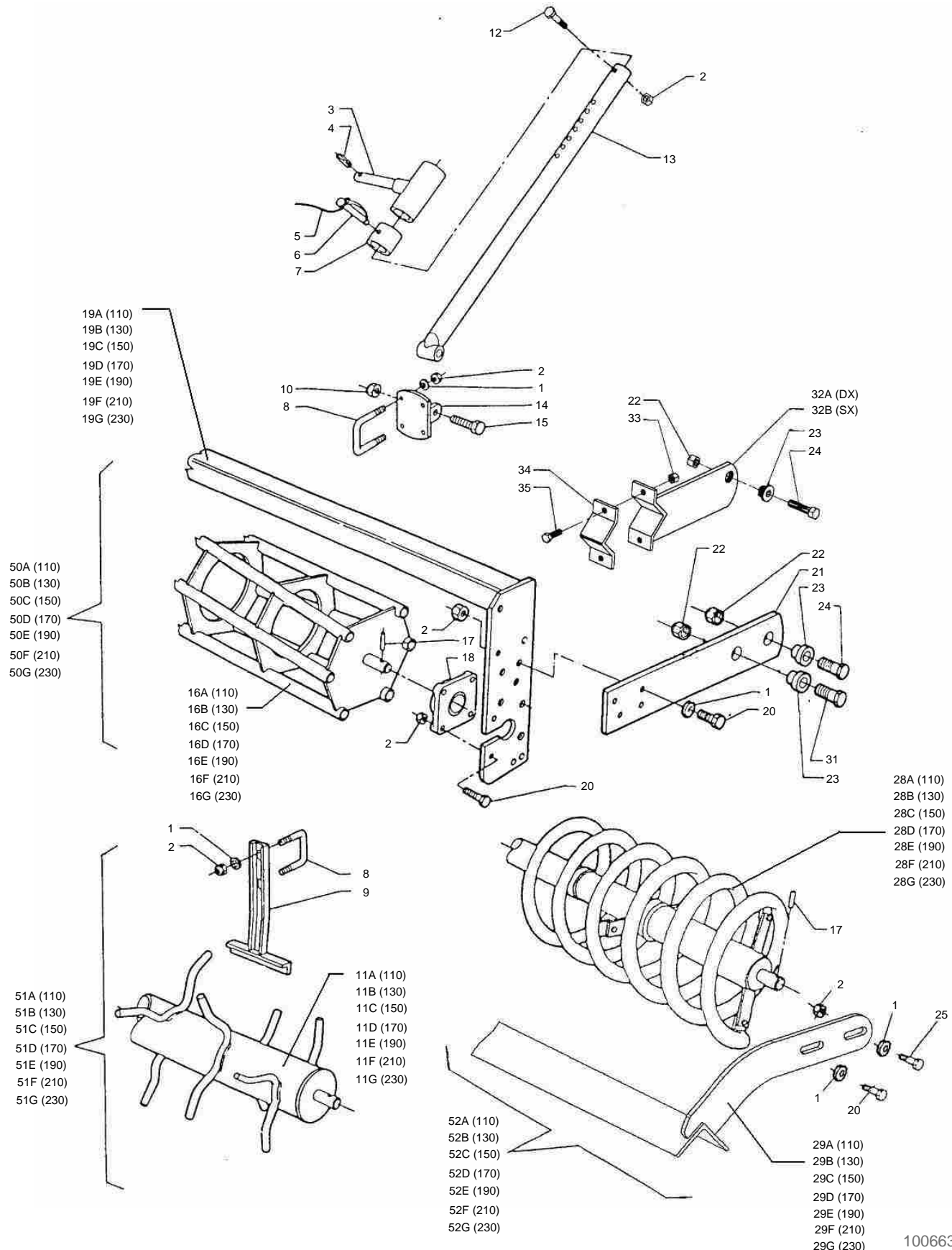
Tous droits réservés. Toute réimpression ou utilisation non autorisée sans la permission écrite de la Alpego s.p.a. est formellement interdite

Alle Rechte vorbehalten. Nachdruck, Vervielfältigung und Verbreitung, auch auszugsweise, ist ohne schriftliche Genehmigung der Alpego s.p.a.

Al rights reserved. Any reprinting or unauthorized use without the written permission of Alpego s.p.a. is expressly prohibited

Todos los derechos reservados. Toda reproducción o uso no autorizado sin el consentimiento escrito de Alpego s.p.a. quedan expresamente prohibidos

04/06/2014





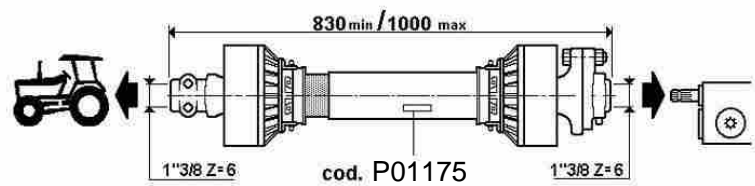
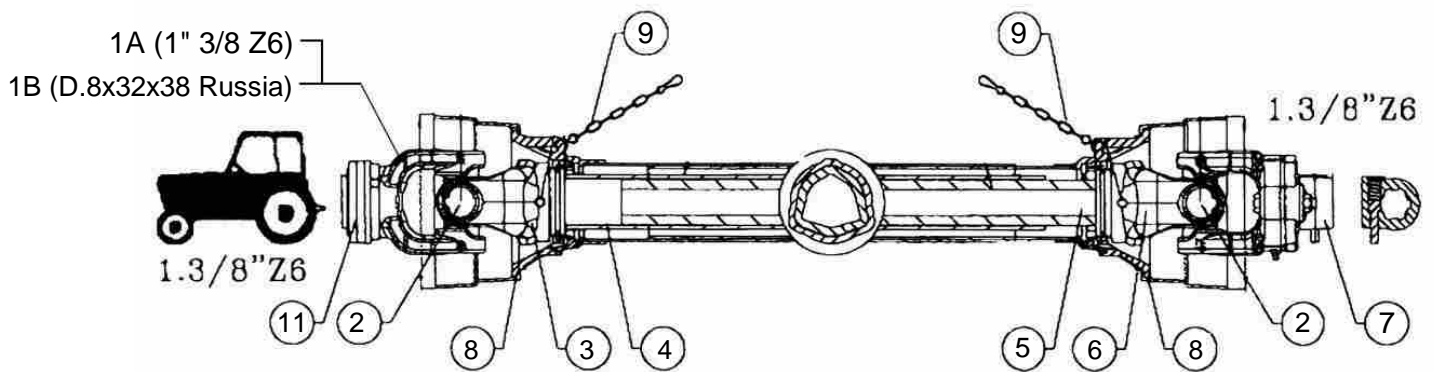
Rullo G1-P1-SP1
Spike G1-P1-SP1
Rouleau G1-P1-SP1
Zinken G1-P1-SP1

Drawing Code: **100663_1**

Accessories:

N°	Code	Old.	Descrizione / Description
52D	S00A00001	S02001	RULLO SPIRAL SP1-170
52E	S00A00002	S02002	RULLO SPIRAL SP1-190 ***
52F	S00A00003	S02003	RULLO SPIRAL SP1-210 ***
52G	S00A00004	S02004	RULLO SPIRAL SP1-230

GB	FR	D	E
ROLLER	ROULEAU	WALZE	RODILLO
ROLLER	ROULEAU	WALZE	RODILLO
ROLLER	ROULEAU	WALZE	RODILLO
ROLLER	ROULEAU	WALZE	RODILLO



100618_02



Cardano

Pto shaft

Arbre de transmission

Gelenkwelle

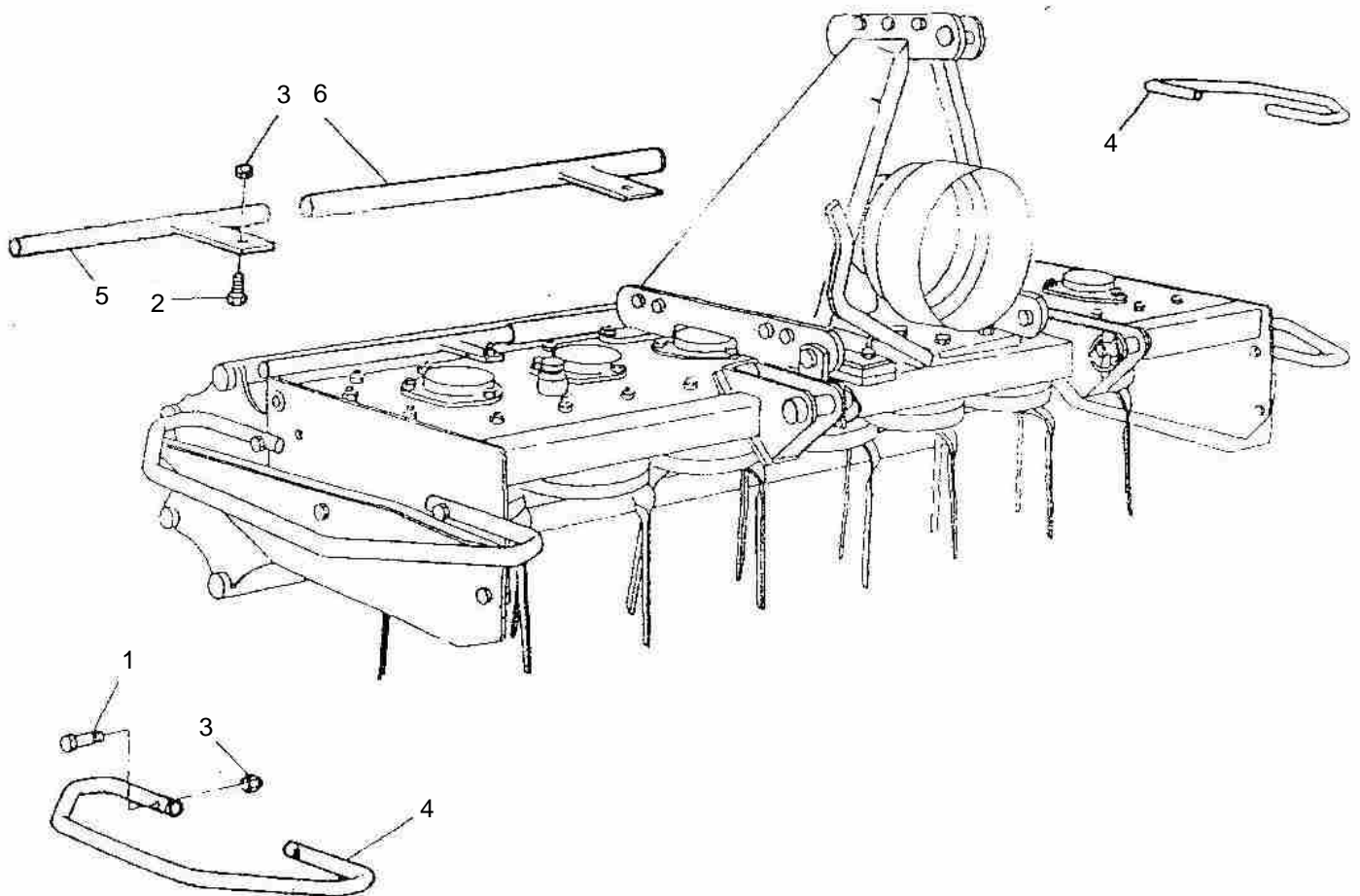
Drawing Code:

100618_2

Accessories:

N°	Code	Old.	Descrizione / Description
1A	M72A00066	R50127	"FORCELLA RAPIDO COLLAR 1""3/8 B06"
1B	M72A00074	R50139	FORCELLA 6 D8X32X38 (RUSSIA)
2	M71A00006	R50120	CROCIERA D30.2x92 SERIE L (B06)
3	M72A00064	R50123	FORCELLA EST. TUBO TRIANG 54x4 B06
4	M73A00042	R50122	TUBO TRIANGOLARE EST. 54X4 B06
5	M73A00041	R50121	TUBO TRIANGOLARE INT. 45X4X545 B05-B06
6	M72A00065	R50124	FORCELLA INT. TUBO TRIANG 45x4 B06
7	M75A00066	R50125	"LIMIT BULL.R55 M10x60 1""3/8Z6 2500Nm"
8	G10A00088	R50126	PROTEZIONE COMPL.CARDANO B06X860
9	MH0A00022	R50119	CATENELLA PROTEZ.CARDANO L=550
11	M25A00021	R50078	"COLLARE ATTACCO RAPIDO CL200 1"" 3/8"
#	M70A00104	P01175	"CARDANO B6X800 LB6 1""3/8 Z=6"

GB	FR	D	E
FORK	MACHOIRE	GABEL	HORQUILLA
FORK	MACHOIRE	GABEL	HORQUILLA
CRUISE	CROISIÈRE	CRUISE	CRUISE
FORK	MACHOIRE	GABEL	HORQUILLA
TUBE	TUBE	ROHR	TUBO
TUBE	TUBE	ROHR	TUBO
FORK	MACHOIRE	GABEL	HORQUILLA
LIMITER	LIMITEUR	BEGRENZER	LIMITADOR
PROTECTION	PROTECTION	SCHUTZ	PROTECCIÓN
CHAIN	CHAINE	KETTE	CADENA
METAL RING	COLLARE	METALLRING	COLLAR
UNIVERSAL JOINT	CARDAN	GELENKWELLE	CARDAN



100665_00



Kit C.E.

Kit C.E.

Kit C.E.

Kit C.E.

Drawing Code:

100665_0

Accessories:

N°	Code	Old.	Descrizione / Description
1	M80A00118	C00131	VITE TE 88 PG FT M10X25 ZINC UNI 5739
2	M80A00120	C00132	VITE TE 88 PG FT M10X30 ZINC UNI 5739
3	M85A00049	C02304	DADO METALBLOC M10

GB	FR	D	E
SCREW	VIS	SCHRAUBE	TORNILLO
SCREW	VIS	SCHRAUBE	TORNILLO
NUT	BOULONS	NUT	DADO