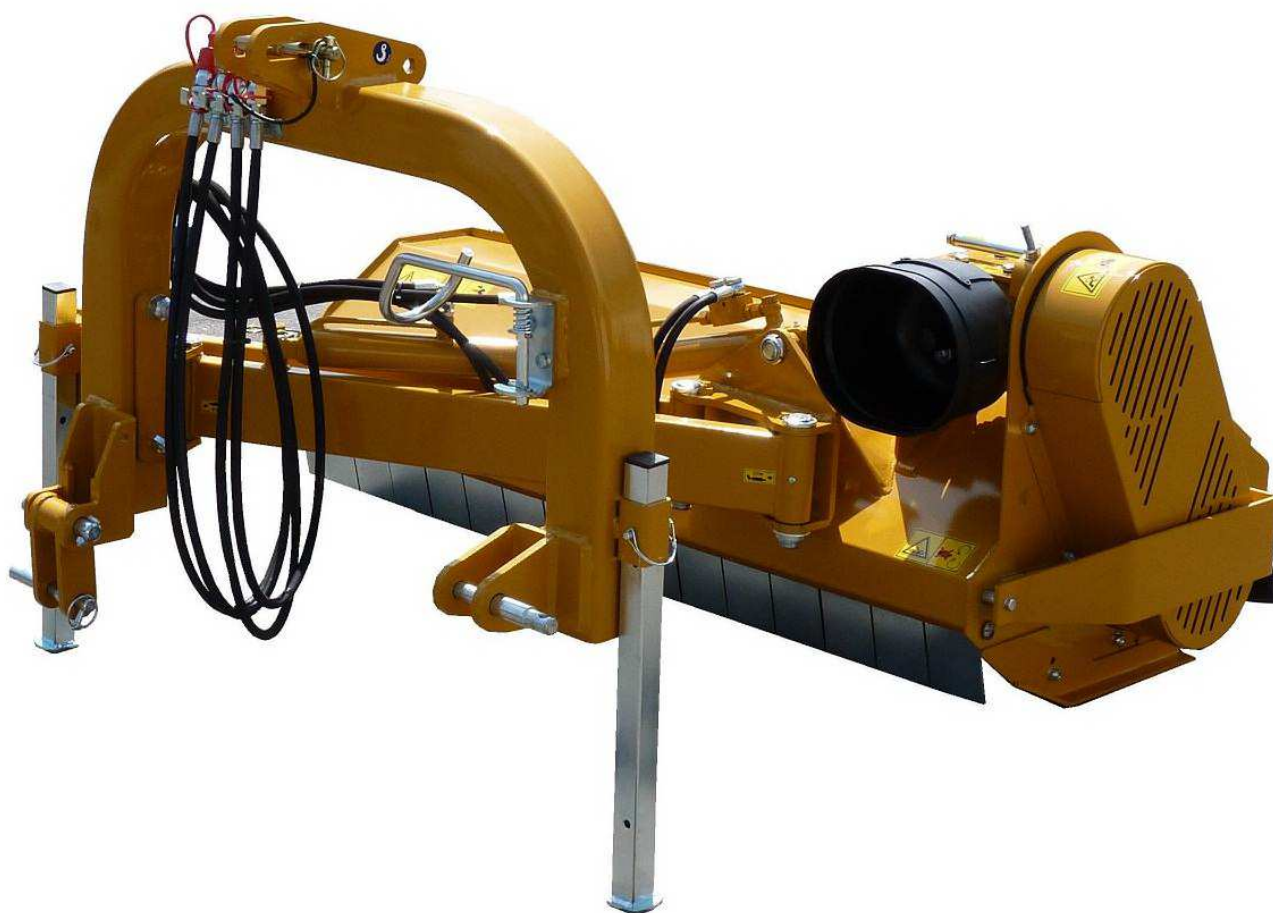


# Trincia

# TL18



[www.alpego.com](http://www.alpego.com)

Tel +39 0444/64.61.00

Fax +39 0444/64.61.99

e-mail: [info@alpego.com](mailto:info@alpego.com)

## **ALPEGO s.p.a.**

*Sede Amministrativa:*

**Via Torri di Confine, 6 36053 GAMBELLARA (VICENZA) - ITALY**

*Sede Legale:*

**Via Giovanni e Giuseppe Cenzato, 9 36045 LONIGO (VICENZA) - ITALY**

Capitale sociale €2.000.000 i.v.

Cod. Fisc. / Part. IVA IT02009840246

R.E.A. 199795/VI/1996

Reg. Imp.VI N° 22374/VI/1996

N. Mecc. VI 011754

**Copyright © 2009 Alpego s.p.a. ®**

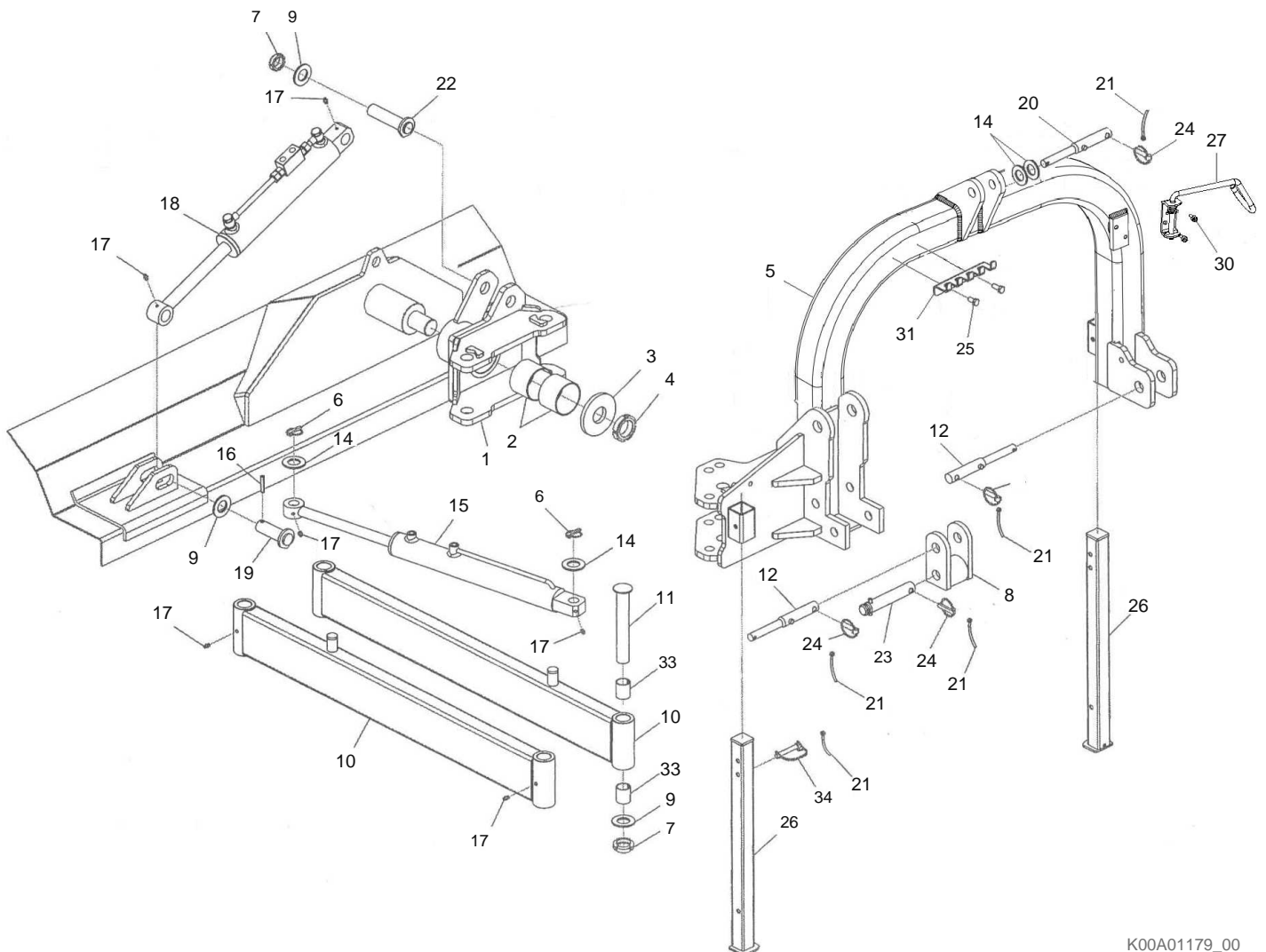
Tutti i diritti sono riservati. È vietata espressamente la ristampa o l'uso non autorizzato senza permesso scritto dalla Alpego s.p.a.

Tous droits réservés. Toute réimpression ou utilisation non autorisée sans la permission écrite de la Alpego s.p.a. est formellement interdite.

Alle Rechte vorbehalten. Nachdruck, Vervielfältigung und Verbreitung, auch auszugsweise, ist ohne schriftliche Genehmigung der Alpego s.p.a.

All rights reserved. Any reprinting or unauthorized use without the written permission of Alpego s.p.a. is expressly prohibited.

Todos los derechos reservados. Toda reproducción o uso no autorizado sin el consentimiento escrito de Alpego s.p.a. quedan expresamente prohibidos.



K00A01179\_00



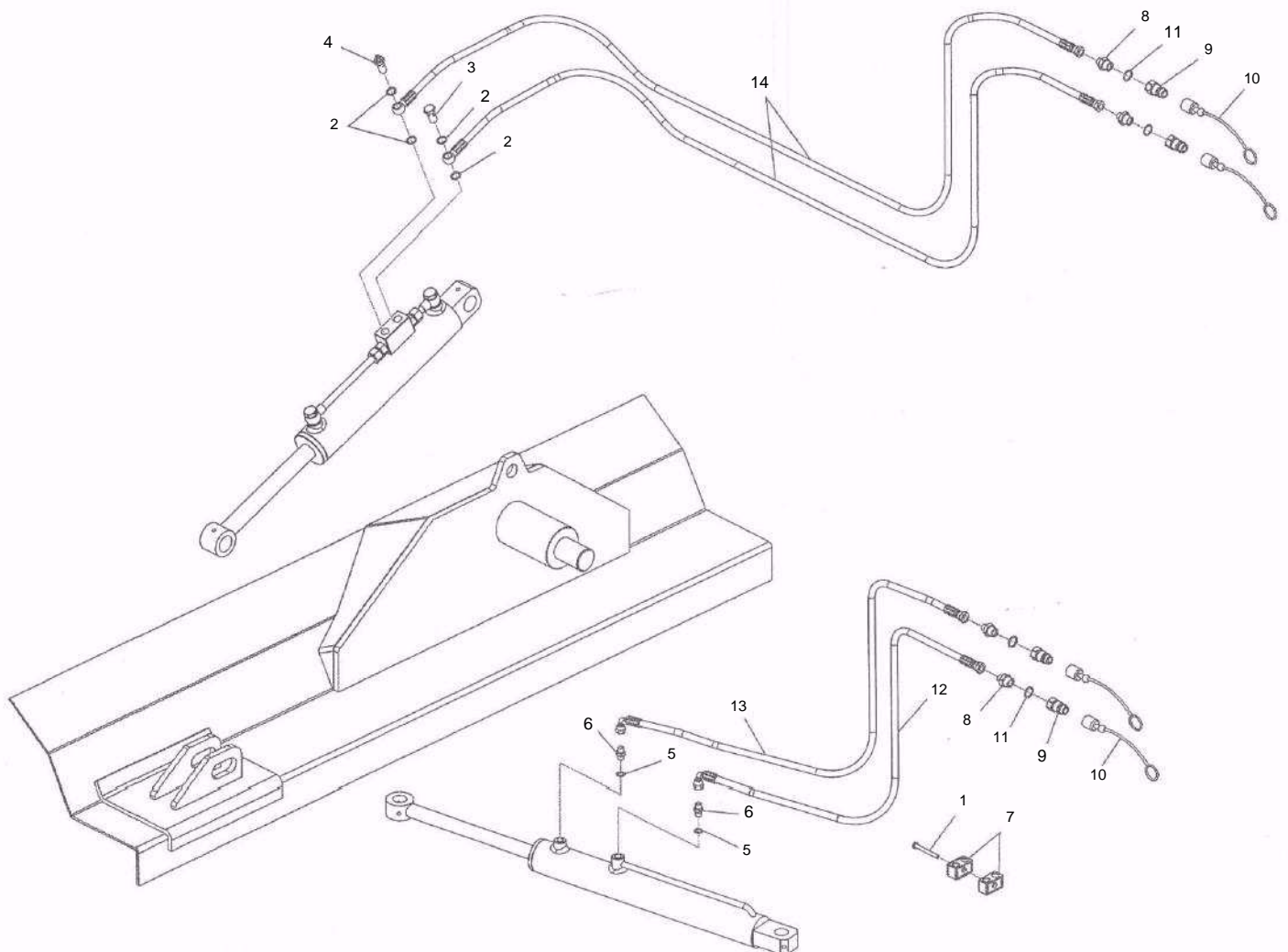
**Spostamento laterale**  
 Sideway swivel  
 Deplacement lateral  
 Das seitliche ausweiche

Drawing Code: **K00A01179\_0**

Accessories:

N°	Code	Old.	Descrizione / Description
1	C20A03228		SUPPORTO SNODO TELAIO TL-18
3	C05A09106		RONDELLA FERMO SNODO TL18
4	M95A00012	C03534	GHIERA AUTOBLOC.ALTA GUP M40X1,5
6	MB0A00010	C04516	SPINA ELASTICA D.5X50
7	M95A00010	C03532	GHIERA AUTOBLOC.ALTA GUP M30X1,5
15	H80A00082		CILINDRO SPOSTAMENTO TL18
16	MB0A00022	C04533	SPINA ELASTICA D.8X45
17	MJ5A00003	C41103	INGRASSATORE M8X1.25 DRITTO ESAGONO 11.
18	MA5A00023	C04223	SPESSORE REG. 30X40X0,5
19			
21	M79A00002	C50650	GOMMINO CON ANELLI L.240 MM.
22	M45A00121	R90025	"ALBERO P.T.O 1"3/8 Z6 R220"
25	M80A00117	C00130	VITE TE 88 PG FT M10X20 ZINC UNI 5739
27	M79A00013	M02702	GANCIO SUPP. CARDANO COMPL.***
30	M80A00242	C00429	VITE TCEI PG M10X20 ZINC UNI 5931

GB	FR	D	E
SUPPORT	SUPPORT	STUTZE	APOYO
WASHER	RONDELLE	UNTERLEGSCHIEBE	ARANDELLA
METAL RING	RONDELLE	METALL-RING	RUEDA
SOCKET	GOUPILLE	STECKER	PASADOR
METAL RING	RONDELLE	METALL-RING	RUEDA
CYLINDER	CYLINDRE	ZYLINDER	CILÍNDRICA
SOCKET	GOUPILLE	STECKER	PASADOR
GREASE NIPPLE	GRAISSOR	FETTBUECHSE	ENGRASADOR
THICKNESS	CALES	DICKE	ESPESSOR
RUBBER	CAOUTCHOUC	BELAG	GOMAS
SHAFT	ARBRE	WELLE	EJE
SCREW	VIS	SCHRAUBE	TORNILLO
HOOK	ATTACHE	HAKEN	ENGANCHE
SCREW	VIS	SCHRAUBE	TORNILLO



K00A01181\_00



## Impianto idraulico

Hydraulic system

Circuit hydraulique

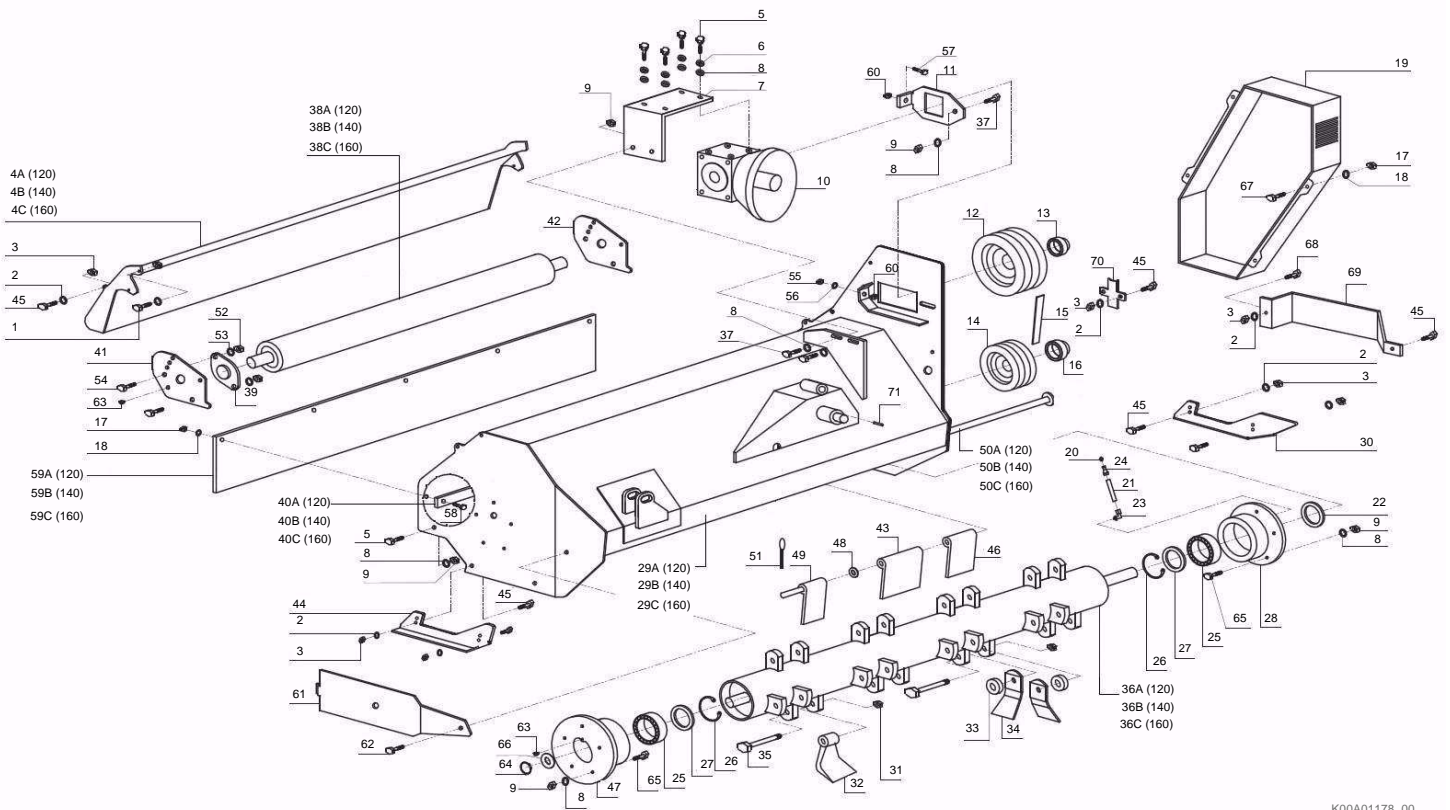
Hydraulikanlage

Drawing Code: **K00A01181\_0**

Accessories:

N°	Code	Old.	Descrizione / Description
1	M80A00009	C00012	VITE TE 88 PG FP M8X70 ZINC UNI 5737
2	H35A00042	C40382	RONDELLA RAME 3/8 D.17
3	H40A00002	C40341	VITE FORATA 3/8X31
4	H40A00001	C40340	VITE FORATA 3/8X31 CON STROZZATORE
5	H35A00041	C40381	RONDELLA RAME 1/4 D.13.5
6	H35A00002	C40302	NIPLES 1/4 1/4
8	H35A00010	C40310	NIPLES RIDUZ.1/2 3/8
10	H50A00005	C41510	INNESTO RAPIDO MASCHIO ATT.1/2 F NV
11	G10A00002	C41520	TAPPO PROT.INNESTO RAPIDO 1/2 MASCHIO BLU

GB	FR	D	E
SCREW	VIS	SCHRAUBE	TORNILLO
WASHER	RONDELLE	UNTERLEGSCHIEBE	ARANDELLA
SCREW	VIS	SCHRAUBE	TORNILLO
SCREW	VIS	SCHRAUBE	TORNILLO
WASHER	RONDELLE	UNTERLEGSCHIEBE	ARANDELLA
NIPLES	NIPLES	NIPLES	NIPLES
NIPLES	NIPLES	NIPLES	NIPLES
COUPLING	ACCOUPLLEMENT	KUPPLUNG	COMPROMISO
PLUG	BOUCHON	STOEPSSEL	ENCHUFE



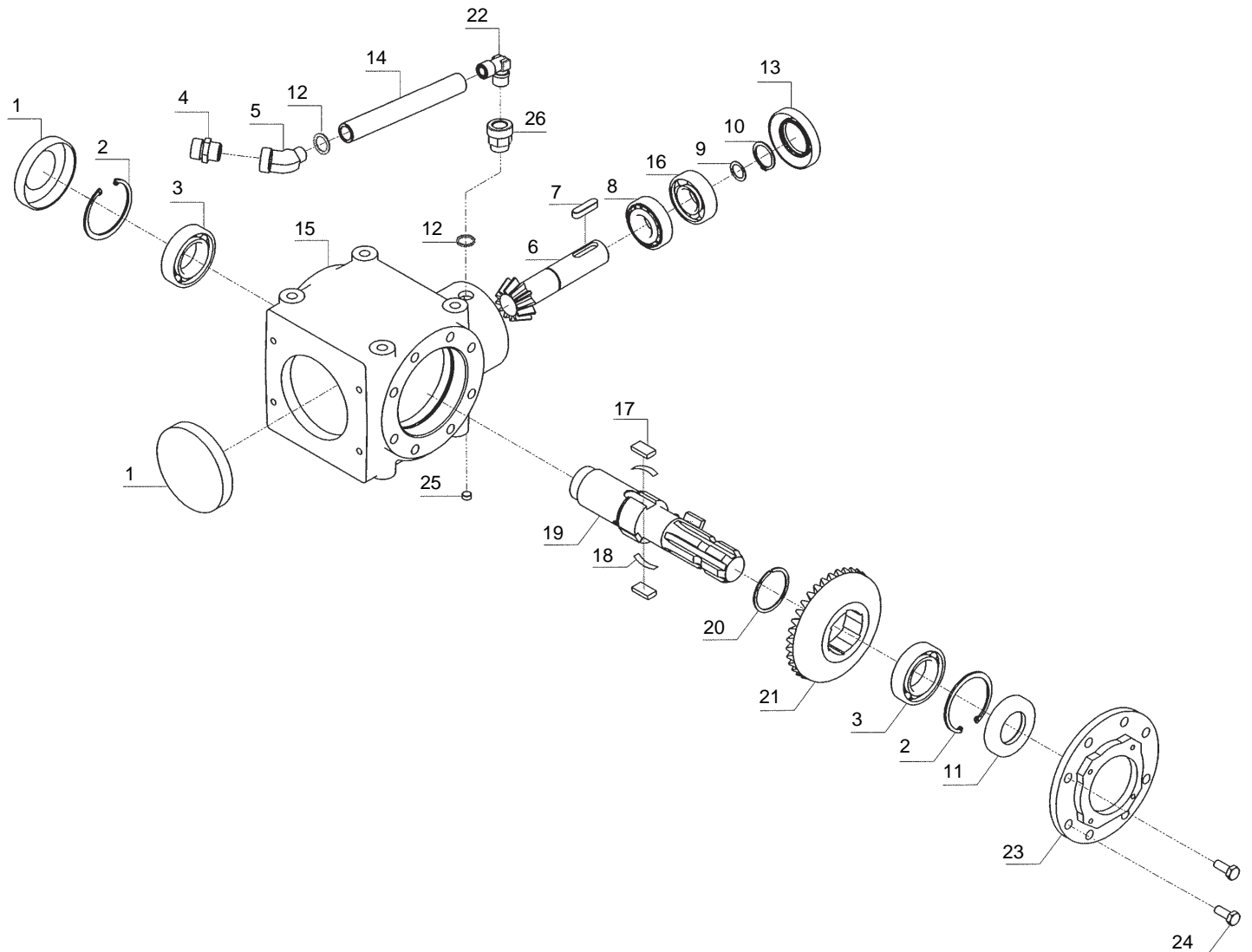


**Telaio**  
**Frame**  
**Chassis**  
**Rahmen**

Drawing Code: **K00A01178\_0**

Accessories:

N°	Code	Old.	Descrizione / Description	GB	FR	D	E
1	M80A00020	C00023	VITE TE 88 PG FP M10X55 UNI 5737	SCREW	VIS	SCHRAUBE	TORNILLO
2	M90A00007	C03004	RONDELLA PIANA D.10,5 DIN125-A ZINC.	WASHER	RONDELLE	UNTERLEGSCHLEIBE	ARANDELLA
3	M85A00077	C02604	DADO AUTOBLOC ALTO 8 M10 H=11.5 UNI 7473	NUT	BOULONS	NUT	DADO
5	M80A00129	C00142	VITE TE 88 PG FT M12X30 ZINC UNI 5739	SCREW	VIS	SCHRAUBE	TORNILLO
6	M90A00044	C03155	RONDELLA GROWER RINF. D.12 ASA B27	WASHER	RONDELLE	UNTERLEGSCHLEIBE	ARANDELLA
7	M80A00118	C00131	VITE TE 88 PG FT M10X25 ZINC UNI 5739	SCREW	VIS	SCHRAUBE	TORNILLO
9	M85A00078	C02605	DADO AUTOBLOC ALTO 8 M12 H=14 UNI 7473	NUT	BOULONS	NUT	DADO
10							
15	M55A00028		CINGHIA TRAP. BX48	BELT	CEINTURE	RIEMEN	CORREA
17	M85A00075	C02603	DADO AUTOBLOC ALTO 8 M8 H=10.6 UNI 7473	NUT	BOULONS	NUT	DADO
19	M90A00007	C03004	RONDELLA PIANA D.10,5 DIN125-A ZINC.	WASHER	RONDELLE	UNTERLEGSCHLEIBE	ARANDELLA
22	M90A00007	C03004	RONDELLA PIANA D.10,5 DIN125-A ZINC.	WASHER	RONDELLE	UNTERLEGSCHLEIBE	ARANDELLA
25	M20A00118		CUSCINETTO OR. RULLI 22308E 40X90X33	BEARING	ROULEMENT	KUGELLAGER	COJINETE
26	MA0A00012	C04037	SEEGER FORO D.90 UNI 7437	SEEGER	SEEGER	SEEGER	SEEGER
27							
28	M35A00099		SUPPORTO ROTORE SINISTRO TL18/T20	SUPPORT	SUPPORT	STUTZE	APOYO
30	M80A00242	C00429	VITE TCEI PG M10X20 ZINC UNI 5931	SCREW	VIS	SCHRAUBE	TORNILLO
31	M85A00080	C02607	DADO AUTOBLOC ALTO 8 M16 H=18 UNI 7473	NUT	BOULONS	NUT	DADO
32							
34							
36A	M10A00156		ROTORE TL18-120 (COMPLETO DI MAZZE)	ROTOR	ROTOR	ROTOR	ROTOR
36B	M10A00157		ROTORE TL18-140 (COMPLETO DI MAZZE)	ROTOR	ROTOR	ROTOR	ROTOR
36C	M10A00158		ROTORE TL18-160 (COMPLETO DI MAZZE)	ROTOR	ROTOR	ROTOR	ROTOR
37	M80A00130	C00143	VITE TE 88 PG FT M12X35 ZINC UNI 5739	SCREW	VIS	SCHRAUBE	TORNILLO
39	M30A00020	C23063	SUPPORTO UCFL 207	SUPPORT	SUPPORT	STUTZE	APOYO
41	C20A02999		FIANCO DESTRO SUPPORTO RULLO T20/TL18	SIDE	LONG	NEBEN	JUNTO
42	C20A03000		FIANCO SINISTRO SUPPORTO RULLO T20/TL18	SIDE	LONG	NEBEN	JUNTO
45	M80A00118	C00131	VITE TE 88 PG FT M10X25 ZINC UNI 5739	SCREW	VIS	SCHRAUBE	TORNILLO
47	M35A00098		SUPPORTO ROTORE DESTRO TL18/T20	SUPPORT	SUPPORT	STUTZE	APOYO
49	M90A00005	C03003	RONDELLA PIANA D.8,4 DIN125-A ZINC.	WASHER	RONDELLE	UNTERLEGSCHLEIBE	ARANDELLA
51	MB5A00009	C04822	COPPIGLIA D.4X32 UNI 1336	COTTER PIN	GOUPILLE	SPLINT	COPPIGLIA
52	M85A00012	C02057	DADO ALTO 8 PF M16X1,5 UNI 5587	NUT	BOULONS	NUT	DADO
55	M85A00079	C02606	DADO AUTOBLOC ALTO 8 M14 H=16 UNI 7473	NUT	BOULONS	NUT	DADO
57	M80A00460		VITE TE 88 PG FT M14X90 ZINC UNI 5739	SCREW	VIS	SCHRAUBE	TORNILLO
58	M80A00111	C00122	VITE TE 88 PG FT M8X25 ZINC UNI 5739	SCREW	VIS	SCHRAUBE	TORNILLO
59A	G05A00079		PROTEZIONE POST GOMMA TL18-120	PROTECTION	PROTECTION	SCHUTZ	PROTECCIÓN
59B	G05A00080		PROTEZIONE POST GOMMA TL18-140	PROTECTION	PROTECTION	SCHUTZ	PROTECCIÓN
60	M85A00017	C02071	DADO ALTO 10 PG M14 5587	NUT	BOULONS	NUT	DADO
62	M80A00284	C00631	VITE TSPEI 10.9 PG M10X30 ZINC UNI 5933	SCREW	VIS	SCHRAUBE	TORNILLO
63	MJ5A00003	C41103	INGRASSATORE M8X1.25 DRITTO ESAGONO 11.	GREASE NIPPLE	GRAISSOR	FETTBUECHSE	ENGRASADOR
64	MA0A00059		SEEGER ALBERO D.40 UNI 7435	SEEGER	SEEGER	SEEGER	SEEGER
65	M80A00290	C00642	VITE TSPEI 10.9 PG M12X30 UNI 5933	SCREW	VIS	SCHRAUBE	TORNILLO
67	M80A00110	C00121	VITE TE 88 PG FT M8X20 ZINC UNI 5739	SCREW	VIS	SCHRAUBE	TORNILLO
68	M80A00120	C00132	VITE TE 88 PG FT M10X30 ZINC UNI 5739	SCREW	VIS	SCHRAUBE	TORNILLO
71	MB0A00012	C04520	SPINA ELASTICA D.6X25	SOCKET	GOUPILLE	STECKER	PASADOR



K00A01177\_00





## Moltiplicatore

Overgear

Multiplicateur

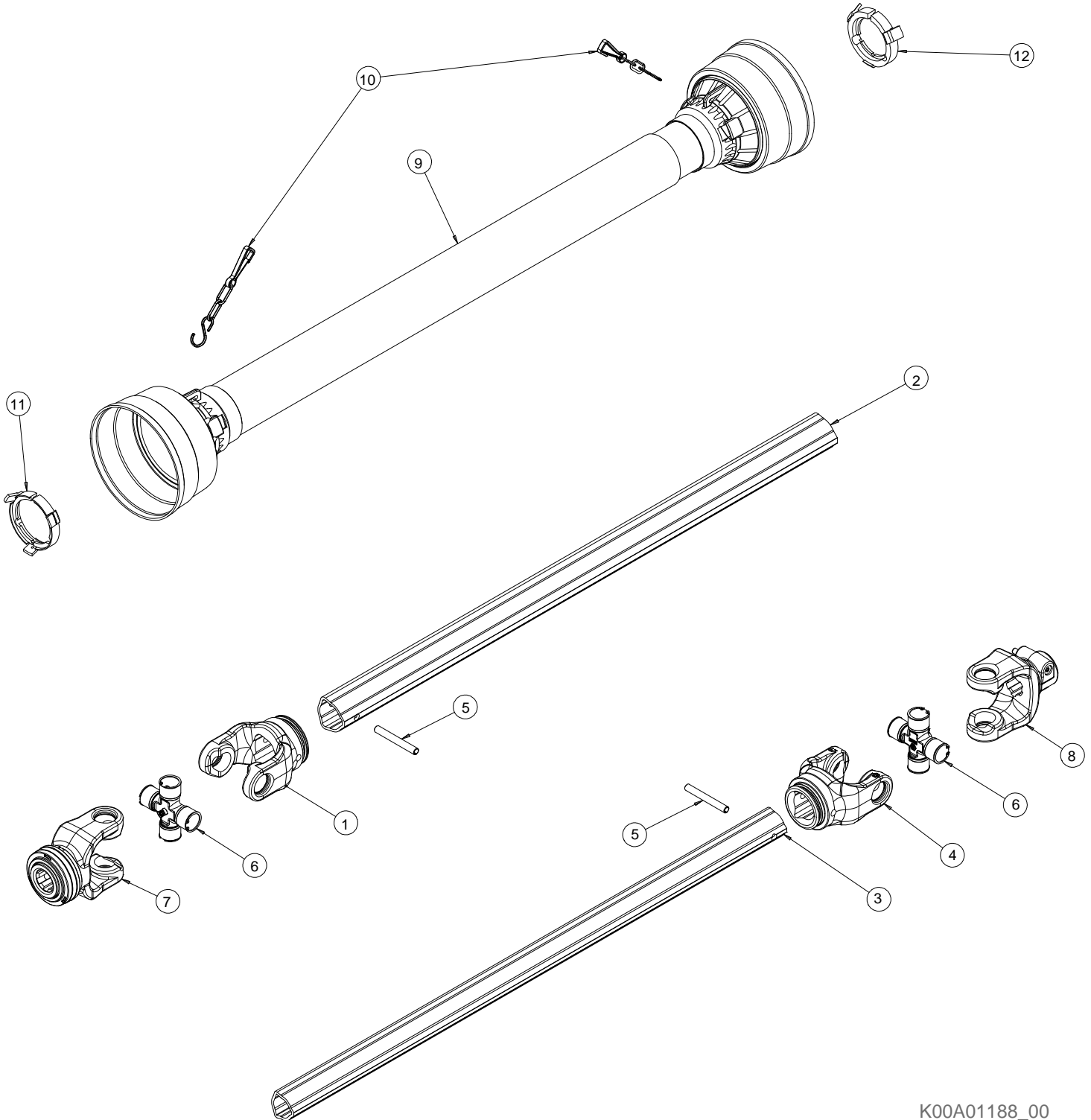
Übersetzen

Drawing Code: **K00A01177\_0**

Accessories: **M65A00191**

N°	Code	Old.	Descrizione / Description
1	H00A00087	C10321	CAPPELOTTO D.80X10
2	MA0A00010	C04035	SEEGER FORO D.80 UNI 7437
3	M20A00045	C21216	CUSCINETTO 6307 35X80X21
4	H65A00003	C41231	TAPPO SFIATO 3/8 GAS (30/A) LABIRINTO
5	H35A00119		"ADATTATORE 45° MF 3/8""
8	M20A00059	C21407	CUSCINETTO 30207 35X72X18,25 J2
10	MA0A00053	C04166	SEEGER ALBERO D.35X2.5 UNI 7436
11	H00A00045	C10119	PARAOLIO BASL D.35X80X10
12	H35A00042	C40382	RONDELLA RAME 3/8 D.17
13	H00A00044	C10118	PARAOLIO BASL D.35X72X10
14	C15A01199		PROLUNGA TAPPO OLIO TL-18
16	M20A00024	C21116	CUSCINETTO 6207 35x72x17
20	MA0A00048	C04161	SEEGER ALBERO D.42 UNI 7435
22	H35A00118		"ADATTATORE 90° MM 3/8""
24	M80A00117	C00130	VITE TE 88 PG FT M10X20 ZINC UNI 5739
25	H45A00013	C41220	TAPPO CARICO 3/8

GB	FR	D	E
PLASTIC GUARD	BACHE	KUNSTSTOFF-DECKEL	SOMBRERETE
SEEGER	SEEGER	SEEGER	SEEGER
BEARING	ROULEMENT	KUGELLAGER	COJINETE
PLUG	BOUCHON	STOEPSSEL	ENCHUFE
ADAPTER	ADAPTATEUR	ADAPTER	ADAPTADOR
BEARING	ROULEMENT	KUGELLAGER	COJINETE
SEEGER	SEEGER	SEEGER	SEEGER
SEALING RING	JOINT SPI	OELABDICHTUNG	PARAOLIO
WASHER	RONDELLE	UNTERLEGSSCHEIBE	ARANDELLA
SEALING RING	JOINT SPI	OELABDICHTUNG	PARAOLIO
EXTENSION	EXTENSION	VERLAENGERUNG	EXTENSIÓN
BEARING	ROULEMENT	KUGELLAGER	COJINETE
SEEGER	SEEGER	SEEGER	SEEGER
ADAPTER	ADAPTATEUR	ADAPTER	ADAPTADOR
SCREW	VIS	SCHRAUBE	TORNILLO
PLUG	BOUCHON	STOEPSSEL	ENCHUFE



K00A01188\_00



# Cardano M14048

PTO shaft

Arbre de transmission

Gelenkwelle

Drawing Code: **K00A01188\_0**

Accessories: M70A00095

N°	Code	Old.	Descrizione / Description
1	M72A00064	R50123	FORCELLA EST. TUBO TRIANG 54x4 B06
2	M73A00042	R50122	TUBO TRIANGOLARE EST. 54X4 B06 INT. B08
3	M73A00041	R50121	TUBO TRIANGOLARE INT. 45X4 B05-B06
4	M72A00065	R50124	FORCELLA INT. TUBO TRIANG 45x4 B06
5	MB0A00036	C04548	SPINA ELASTICA D.10X80
6	M71A00006	R50120	CROCIERA D30.2x92 SERIE L (B06)
7	M72A00066	R50127	"FORCELLA RAPIDO COLLAR 1""3/8 B06"
8	M72A00071	R50135	"FORCELLA 6 1"" 3/8 Z6 ATT.PULSANTE"
9	G10A00088	R50126	PROTEZIONE COMPL.CARDANO B06X1010
10	MH0A00022	R50119	CATENELLA PROTEZ.CARDANO L=550
11	G00A00127		GHIERA PROTEZIONE ESTERNA B06
12	G00A00128		GHIERA PROTEZIONE INTERNA B06

GB	FR	D	E
FORK	MACHOIRE	GABEL	HORQUILLA
TUBE	TUBE	ROHR	TUBO
TUBE	TUBE	ROHR	TUBO
FORK	MACHOIRE	GABEL	HORQUILLA
SOCKET	GOUPILLE	STECKER	PASADOR
CRUISE	CROISIÈRE	CRUISE	CRUISE
FORK	MACHOIRE	GABEL	HORQUILLA
FORK	MACHOIRE	GABEL	HORQUILLA
PROTECTION	PROTECTION	SCHUTZ	PROTECCIÓN
CHAIN	CHAINE	KETTE	CADENA
METAL RING	RONDELLE	METALL-RING	RUEDA
METAL RING	RONDELLE	METALL-RING	RUEDA