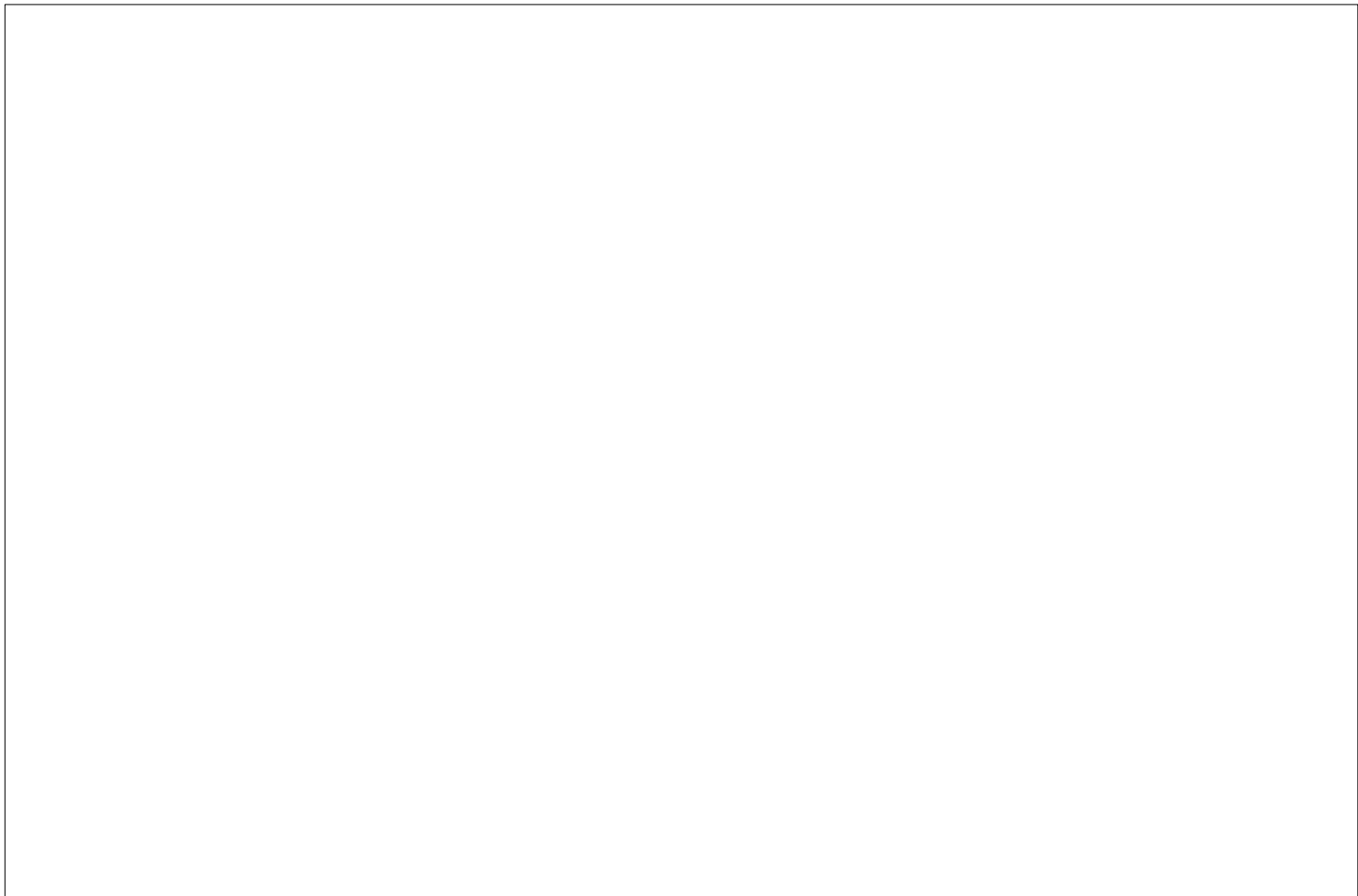




CATALOGO PARTI DI RICAMBIO
SPARE PARTS CATALOGUE
CATALOGUE PIECES RECHANGE
ERSATZTEILKATALOG

Trincia

TR46



ALPEGO s.p.a.

Sede Amministrativa:

Via Torri di Confine, 6 36053 GAMBELLARA (VICENZA) - ITALY

Sede Legale:

Via Giovanni e Giuseppe Cenzato, 9 36045 LONIGO (VICENZA) - ITALY

Capitale sociale €2.000.000 i.v.

Cod. Fisc. / Part. IVA IT02009840246

R.E.A. 199795/VI/1996

Reg. Imp.VI N° 22374/VI/1996

N. Mecc. VI 011754

www.alpego.com

Tel +39 0444/64.61.00

Fax +39 0444/64.61.99

e-mail: info@alpego.com

Copyright © 2009 Alpego s.p.a. ®

Tutti i diritti sono riservati. È vietata espressamente la ristampa o l'uso non autorizzato senza permesso scritto dalla Alpego s.p.a.

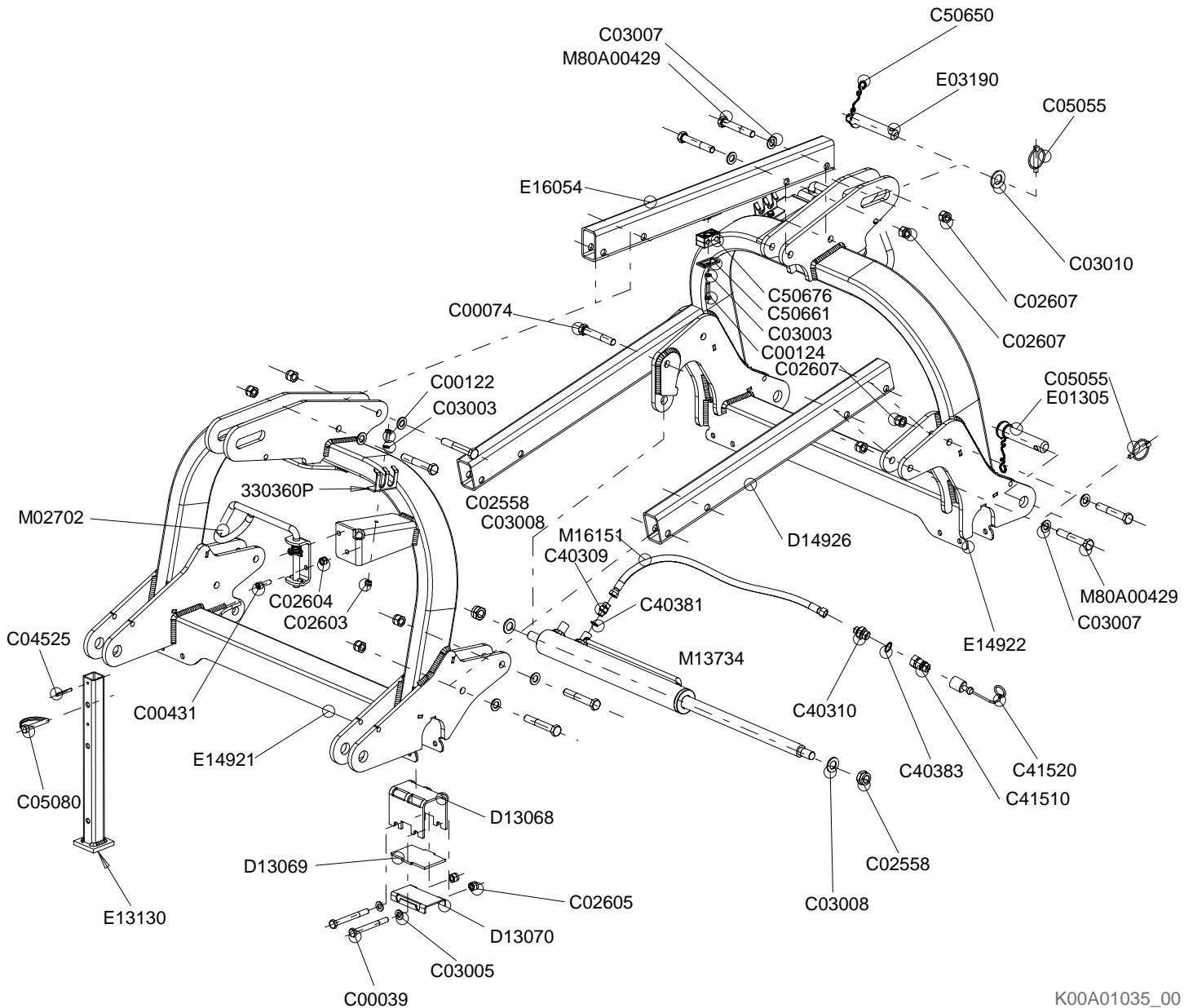
Tous droits réservés. Toute réimpression ou utilisation non autorisée sans la permission écrite de la Alpego s.p.a. est formellement interdite.

Alle Rechte vorbehalten. Nachdruck, Vervielfältigung und Verbreitung, auch auszugsweise, ist ohne schriftliche Genehmigung der Alpego s.p.a.

All rights reserved. Any reprinting or unauthorized use without the written permission of Alpego s.p.a. is expressly prohibited.

Todos los derechos reservados. Toda reproducción o uso no autorizado sin el consentimiento escrito de Alpego s.p.a. quedan expresamente prohibidos.

08/03/2018



K00A01035_00



Attacco a 3 punti

3 Point linkage

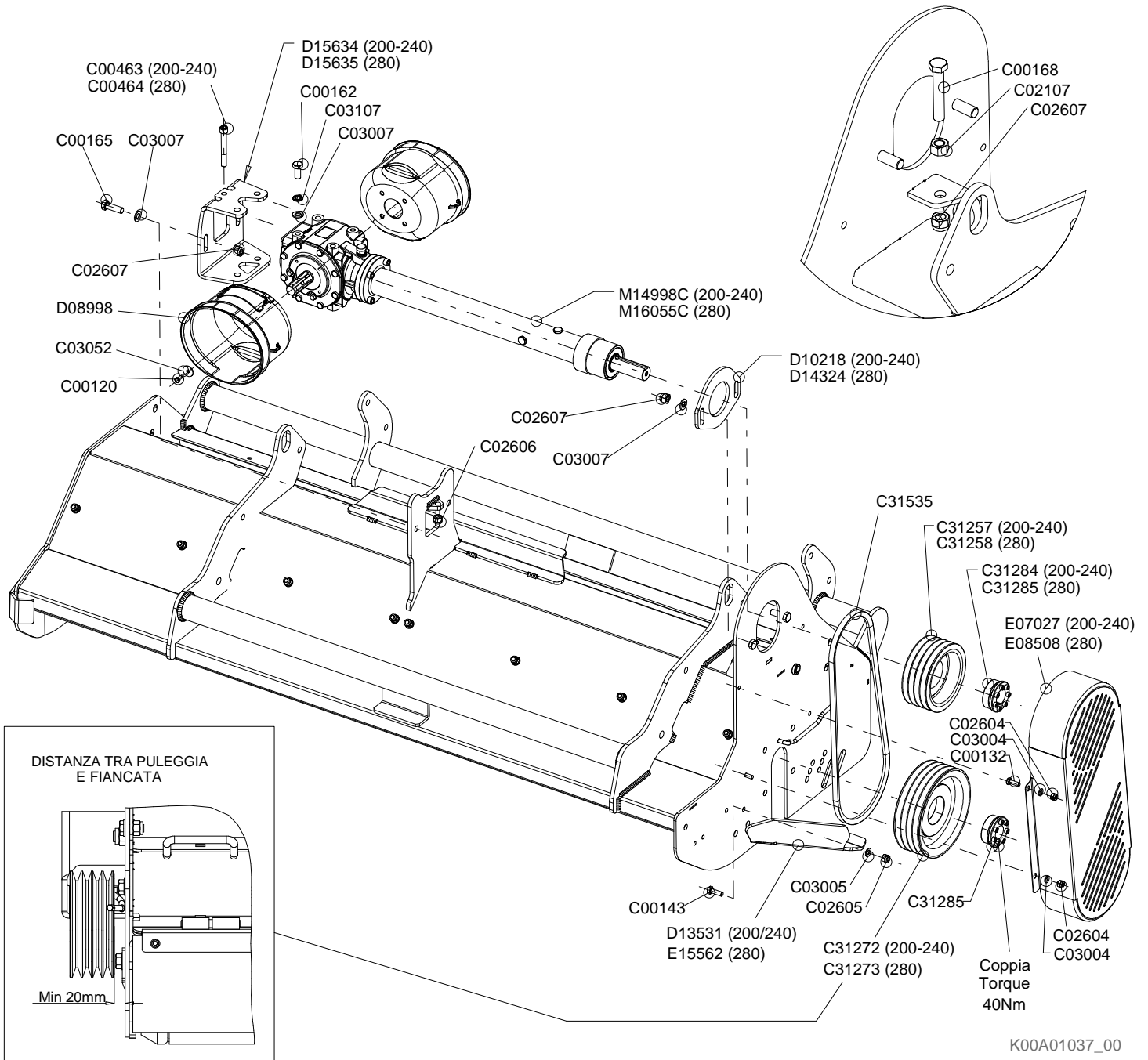
Attelage a trois points

Schraubenbefestigung

Drawing Code: **K00A01035_0**

Accessories:

N°	Code	Old.	Descrizione / Description	GB	FR	D	E
E01305	M15A00169	E01305	PERNO D.28X106 UT.FORO D.12 SALD ZINC***	PIN	PIVOT	STIFT	PIN
E03190	M15A00172	E03190	PERNO ROND.25X109 UT.FORO D.12 ZINC***	PIN	PIVOT	STIFT	PIN
E13130	C20A02069	E13130	GAMBA D'APPOGGIO TR36-TT97 H=380-270MM	LEG	BEQUILLE	BEIN	PATA
E14921	C20A02853	E14921	ATTACCO 3ZO PUNTO ANTERIORE TR46	CONNECTION	ATTELAGE	ANSCHLUSS	ATAQUE
E14922	C20A02854	E14922	ATTACCO 3ZO PUNTO POSTERIORE TR46	CONNECTION	ATTELAGE	ANSCHLUSS	ATAQUE
E16054	C20A02860	E16054	TUBO SALD.SUP.ATT.3ZO P.TR46 + FERMATUBO	TUBE	TUBE	ROHR	TUBO
C00039	M80A00036	C00039	VITE TE 88 PG FP M12X110 ZINC UNI 5737	SCREW	VIS	SCHRAUBE	TORNILLO
C00074	M80A00067	C00074	VITE TE 88 PG FP M16x110 ZINC UNI 5737	SCREW	VIS	SCHRAUBE	TORNILLO
M80A00429	M80A00429		VITE TE 88 PG FP M16X100 ZINC UNI 5737	SCREW	VIS	SCHRAUBE	TORNILLO
C00122	M80A00111	C00122	VITE TE 88 PG FT M8X25 ZINC UNI 5739	SCREW	VIS	SCHRAUBE	TORNILLO
C00124	M80A00113	C00124	VITE TE 88 PG FT M8X35 ZINC UNI 5739	SCREW	VIS	SCHRAUBE	TORNILLO
C00431	M80A00244	C00431	VITE TCEI PG M10X30 ZINC UNI 5931	SCREW	VIS	SCHRAUBE	TORNILLO
330360P	C10A00892	330360P	PORTACONDOTTE 2 SEDI 04643 SP3MM ZINC.	-	-	-	-
C02558	M85A00066	C02558	DADO AUTOBLOC BASSO 8 PF M20X1,5 H=20 UNI 7474	NUT	BOULONS	NUT	DADO
C02603	M85A00075	C02603	DADO AUTOBLOC ALTO 8 M8 H=10.6 UNI 7473	NUT	BOULONS	NUT	DADO
C02604	M85A00077	C02604	DADO AUTOBLOC ALTO 8 M10 H=11.5 UNI 7473	NUT	BOULONS	NUT	DADO
C02605	M85A00078	C02605	DADO AUTOBLOC ALTO 8 M12 H=14 UNI 7473	NUT	BOULONS	NUT	DADO
C02607	M85A00080	C02607	DADO AUTOBLOC ALTO 8 M16 H=18 UNI 7473	NUT	BOULONS	NUT	DADO
C03003	M90A00005	C03003	RONDELLA PIANA D.8,4 DIN125-A ZINC.	WASHER	RONDELLE	UNTERLEGSSCHEIBE	ARANDELLA
C03005	M90A00008	C03005	RONDELLA PIANA D.13 DIN125-A ZINC.	WASHER	RONDELLE	UNTERLEGSSCHEIBE	ARANDELLA
C03007	M90A00010	C03007	RONDELLA PIANA D.17 DIN125-A ZINC.	WASHER	RONDELLE	UNTERLEGSSCHEIBE	ARANDELLA
C03008	M90A00011	C03008	RONDELLA PIANA D.21 DIN125-A ZINC.	WASHER	RONDELLE	UNTERLEGSSCHEIBE	ARANDELLA
C03010	M90A00013	C03010	RONDELLA PIANA D.25 DIN125-A ZINC.	WASHER	RONDELLE	UNTERLEGSSCHEIBE	ARANDELLA
C04525	MB0A00017	C04525	SPINA ELASTICA D.6X50	SOCKET	GOUPILLE	STECKER	PASADOR
C05055	MB0A00096	C05055	SPINA A SCATTO D.10 CON TIRANTE IN GOMMA	SOCKET	GOUPILLE	STECKER	PASADOR
C05080	MB0A00101	C05080	SPINOTTO PER MOTOZAPPA D.10X60 UTILE	PIN	GOUPILLE	STIFT	PASADOR
C40309	H35A00009	C40309	NIPLES RIDUZ.1/4 3/8	NIPLES	NIPLES	NIPLES	NIPLES
C40310	H35A00010	C40310	NIPLES RIDUZ.1/2 3/8	NIPLES	NIPLES	NIPLES	NIPLES
C40381	H35A00041	C40381	RONDELLA RAME 1/4 D.13.5	WASHER	RONDELLE	UNTERLEGSSCHEIBE	ARANDELLA
C40383	H35A00043	C40383	RONDELLA RAME 1/2 D.21	WASHER	RONDELLE	UNTERLEGSSCHEIBE	ARANDELLA
C41510	H50A00005	C41510	INNESTO RAPIDO MASCHIO ATT.1/2 F NV	COUPLING	ACCOUPLLEMENT	KUPPLUNG	COMPROMISO
C41520	G10A00002	C41520	TAPPO PROT.INNESTO RAPIDO 1/2 MASCHIO BLU	PLUG	BOUCHON	STOEPSSEL	ENCHUFE
C50650	M79A00002	C50650	GOMMINO CON ANELLI L.240 MM.	RUBBER	CAOUTCHOUC	BELAG	GOMAS
C50661	C15A00017	C50661	COPERCHIO BLOCCHETTO FERMATUBI DOPPIO TUBO DA 14-15	LID	COUVERCLE	DECKEL	TAPA
C50676	G10A00035	C50676	"BLOCCHETTO (SOLO CORPO) FERMATUBO DOPPIO D.15-15 (1	BLOCK	BLOC	BLOCK	BLOQUE
D13068	G10A00067	D13068	PATTINO SUP. SPOSTAMENTO ATTACCO TR36	SKID	PATINS	KUFE	PATIN
D13069	G10A00068	D13069	PATTINO INF. SPOSTAMENTO ATTACCO TR36	SKID	PATINS	KUFE	PATIN
D13070	C10A02990	D13070	PROFILO RINFORZO PATTINO TR36	PROFILE	PROFIL	PROFIL	PERFIL
D14926	C15A01057	D14926	TUBO SUPERIORE ATT.3ZO P.TR46 80X50X5	TUBE	TUBE	ROHR	TUBO
M02702	M79A00013	M02702	GANCIO SUPP. CARDANO COMPL.***	HOOK	ATTACHE	HAKEN	ENGANCHE
M13734	H80A00049	M13734	CILINDRO D.50 C.380 S.30 TT93	CYLINDER	CYLINDRE	ZYLINDER	CILÍNDRICA
M16151	H75A00109	M16151	"TUBO IDR FD3/8""-R1AT 1/4""X3000-FD3/8""	TUBE	TUBE	ROHR	TUBO





Trasmissione

Transmission

Transmission

Getriebe

Drawing Code: **K00A01037_0**

Accessories:

N°	Code	Old.	Descrizione / Description	GB	FR	D	E
E07027	C20A01283	E07027	CARTER COMPL. TR30-36 (160-240) ***	HOUSING	CARTER	GEHAUSE	CARTER
E08508	C20A01472	E08508	CARTER COMPL. TR30-36 (280) ***	HOUSING	CARTER	GEHAUSE	CARTER
E15562	C20A02459	E15562	PROT. SALDATA LAT.CARTER TR46/TR36-28	PROTECTION	PROTECTION	SCHUTZ	PROTECCIÓN
C00120	M80A00109	C00120	VITE TE 88 PG FT M8X16 ZINC UNI 5739	SCREW	VIS	SCHRAUBE	TORNILLO
C00132	M80A00120	C00132	VITE TE 88 PG FT M10X30 ZINC UNI 5739	SCREW	VIS	SCHRAUBE	TORNILLO
C00143	M80A00130	C00143	VITE TE 88 PG FT M12X35 ZINC UNI 5739	SCREW	VIS	SCHRAUBE	TORNILLO
C00162	M80A00148	C00162	VITE TE 88 PG FT M16X35 ZINC UNI 5739	SCREW	VIS	SCHRAUBE	TORNILLO
C00165	M80A00151	C00165	VITE TE 88 PG FT M16X50 ZINC UNI 5739	SCREW	VIS	SCHRAUBE	TORNILLO
C00168	M80A00154	C00168	VITE TE 88 PG FT M16X90 ZINC UNI 5739	SCREW	VIS	SCHRAUBE	TORNILLO
C00463	M80A00399	C00463	VITE TCEI PG M14X110 ZINC UNI 5931	SCREW	VIS	SCHRAUBE	TORNILLO
C00464	M80A00400	C00464	VITE TCEI PG M14X130 ZINC UNI 5931	SCREW	VIS	SCHRAUBE	TORNILLO
C02107	M85A00030	C02107	DADO NORMALE 8 PG M16 UNI 5588 ZINC	NUT	BOULONS	NUT	DADO
C02604	M85A00077	C02604	DADO AUTOBLOC ALTO 8 M10 H=11.5 UNI 7473	NUT	BOULONS	NUT	DADO
C02605	M85A00078	C02605	DADO AUTOBLOC ALTO 8 M12 H=14 UNI 7473	NUT	BOULONS	NUT	DADO
C02606	M85A00079	C02606	DADO AUTOBLOC ALTO 8 M14 H=16 UNI 7473	NUT	BOULONS	NUT	DADO
C02607	M85A00080	C02607	DADO AUTOBLOC ALTO 8 M16 H=18 UNI 7473	NUT	BOULONS	NUT	DADO
C03004	M90A00007	C03004	RONDELLA PIANA D.10,5 DIN125-A ZINC.	WASHER	RONDELLE	UNTERLEGSCHLEIBE	ARANDELLA
C03005	M90A00008	C03005	RONDELLA PIANA D.13 DIN125-A ZINC.	WASHER	RONDELLE	UNTERLEGSCHLEIBE	ARANDELLA
C03007	M90A00010	C03007	RONDELLA PIANA D.17 DIN125-A ZINC.	WASHER	RONDELLE	UNTERLEGSCHLEIBE	ARANDELLA
C03052	M90A00027	C03052	RONDELLA PIANA d9xD32x2.5 UNI 6593 ZINC.	WASHER	RONDELLE	UNTERLEGSCHLEIBE	ARANDELLA
C03107	M90A00037	C03107	RONDELLA GROWER D.16 DIN 127 ZINCATA	WASHER	RONDELLE	UNTERLEGSCHLEIBE	ARANDELLA
C31257	M60A00004	C31257	PULEGGIA PER CALETT. 190X4 SPB D.80	PULLEY	POULIE	RIEMENSCHLEIBE	POLEAS
C31258	M60A00005	C31258	PULEGGIA PER CALETT. 190X5 SPB D.80	PULLEY	POULIE	RIEMENSCHLEIBE	POLEAS
C31272	M60A00008	C31272	PULEGGIA PER CALETT. 250X4 SPB D.80	PULLEY	POULIE	RIEMENSCHLEIBE	POLEAS
C31273	M60A00009	C31273	PULEGGIA PER CALETT. 250X5 SPB D.80	PULLEY	POULIE	RIEMENSCHLEIBE	POLEAS
C31284	M75A00005	C31284	CALETTATORE VK-156 DI=40 DE=80	KEYED FLANGE	CALE	VERKEILER	CALENTADOR
C31285	M75A00006	C31285	CALETTATORE VK-156 DI=45 DE=80	KEYED FLANGE	CALE	VERKEILER	CALENTADOR
C31535	M55A00021	C31535	"CINGHIA ""XPB""1600 DENTEL (TR30)"	BELT	CEINTURE	RIEMEN	CORREA
D08998	G10A00051	D08998	PROT. OVALE 210X275XH150 FORATA	PROTECTION	PROTECTION	SCHUTZ	PROTECCIÓN
D10218	C05A06471	D10218	FLANGIA MOLTIPLICATORE TR30 sp10mm	FLANGE	FLANC	FLANSCHLE	FLANGE
D13531	C10A03081	D13531	PROTEZ. LAT. CARTER TRASM TR36 SP 8MM	PROTECTION	PROTECTION	SCHUTZ	PROTECCIÓN
D14324	C05A07546	D14324	FLANGIA MOLTIPL TR36-280 SP 10MM	FLANGE	FLANC	FLANSCHLE	FLANGE
D15634	C10A03482	D15634	SEDE MOLTIPLIC TR36-200/220/240 2A VERS.	SEAT	SIEGE	SITZ	SEDE
D15635	C10A03483	D15635	SEDE MOLTIPLIC TR36-280 2A VERSIONE	SEAT	SIEGE	SITZ	SEDE
M14998C	M65A00137	M14998C	MOLTIPL. +PROL.T312-1/3-PDFP-1RL-950-D40	MULTIPLIER	MULTIPLICATEUR	UEBERSETZUNGSGETRIEBE	MOLTIPLICADOR
M16055C	M65A00171	M16055C	MOLTIPL. +PROL. T290 1/3 PDFP 1RL 1060 D45	MULTIPLIER	MULTIPLICATEUR	UEBERSETZUNGSGETRIEBE	MOLTIPLICADOR

Rotore con supporti

Rotor and holder

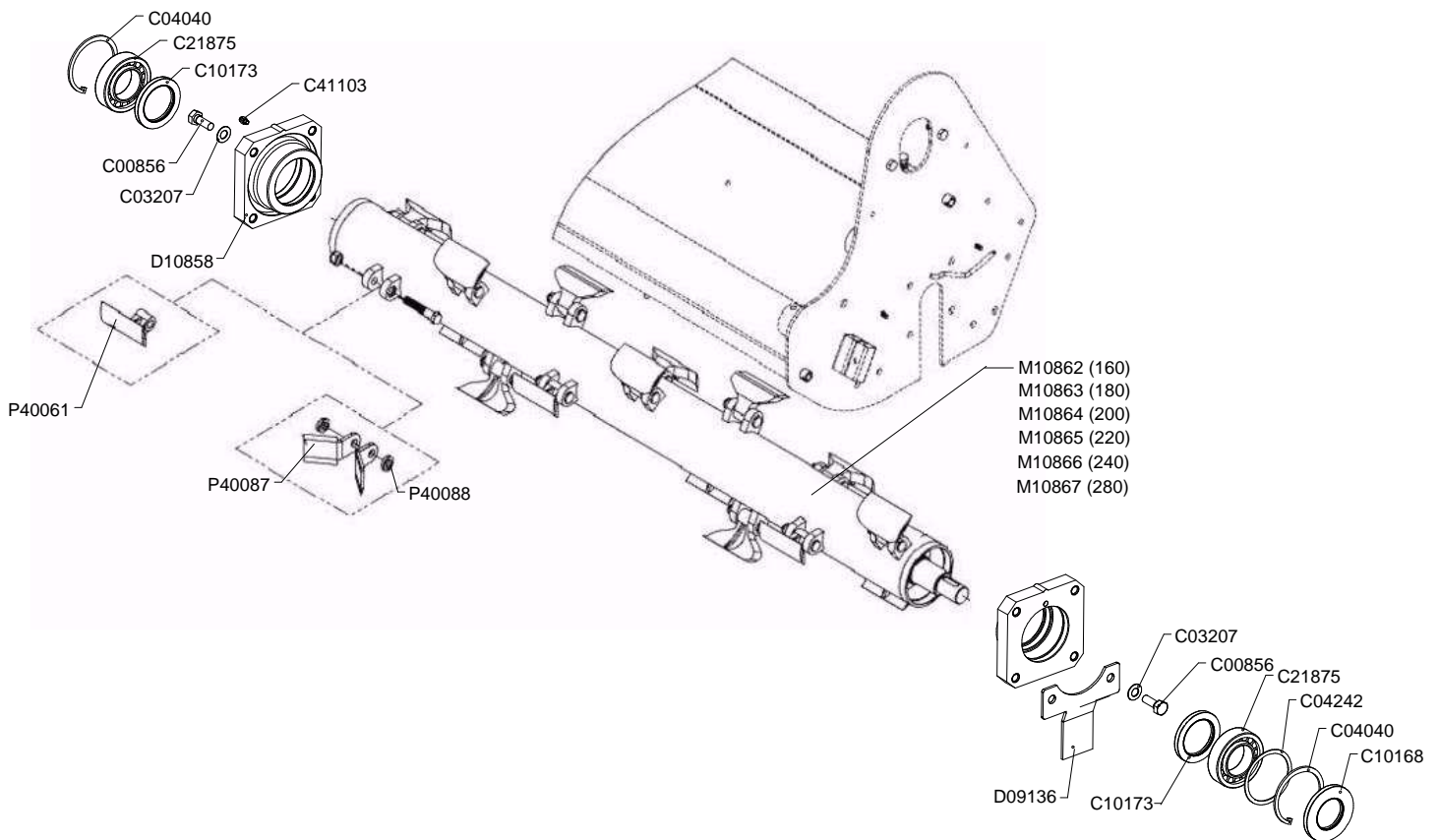
Rotor au support

Rotor - stutze

Drawing Code:

100838_0

Accessories:



100838_00



Rotore con supporti

Rotor and holder

Rotor au support

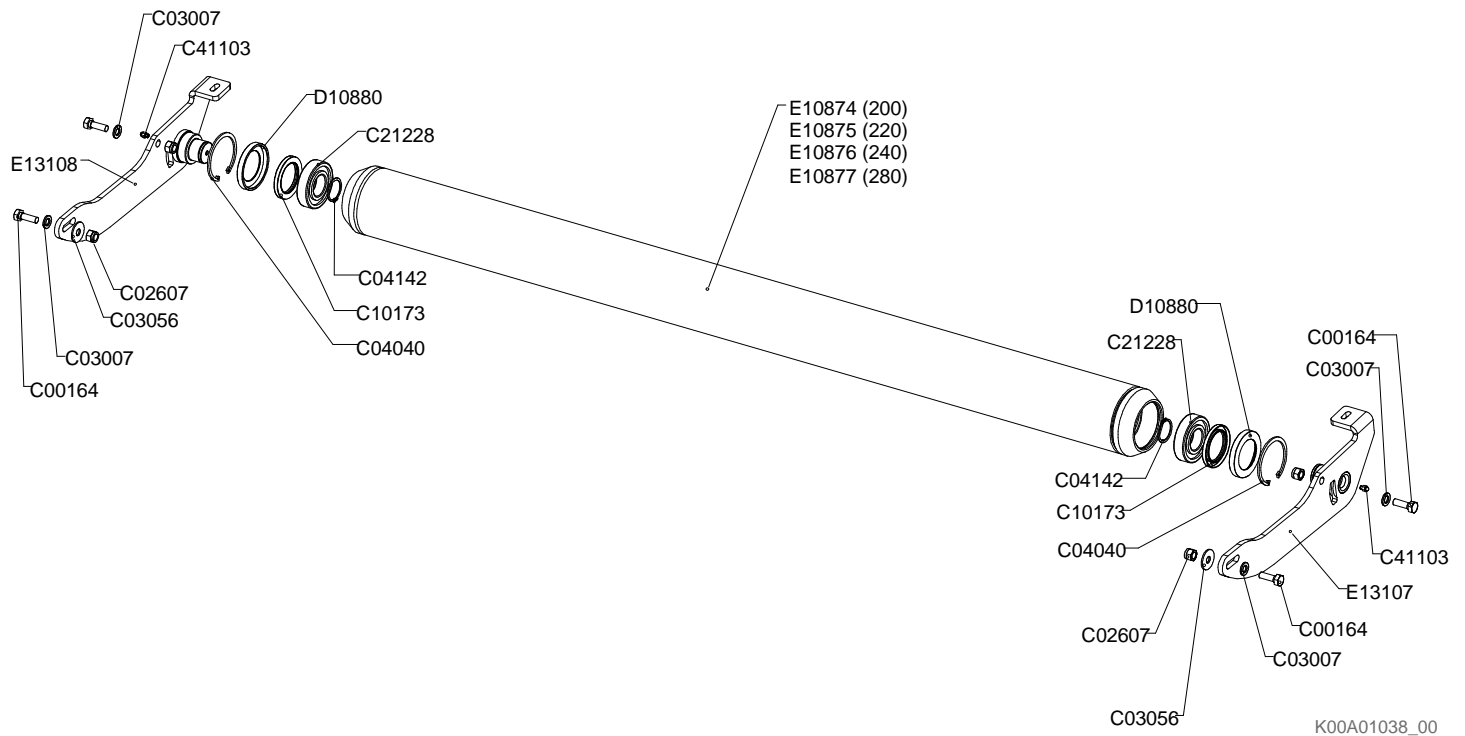
Rotor - stutze

Drawing Code:

100838_0

Accessories:

N°	Code	Old.	Descrizione / Description	GB	FR	D	E
#	M80A00347	C00856	VITE TE 10.9 PG FT M16X35 UNI 5739 (GEOMET)	SCREW	VIS	SCHRAUBE	TORNILLO
#	M90A00053	C03207	DISCO ELAST. D.16,3X31.5X1.75 DIN 2093 ZINCO-LAMELLARE	DISC	DISQUE	SCHLEIFE	DISCO
#	MA0A00015	C04040	SEEGER FORO D.110 UNI 7437	SEEGER	SEEGER	SEEGER	SEEGER
#	MA5A00042	C04242	RALLA REG. 95.2X109.7X2	FIFTH WHEEL	RONDELLE	DREHPLATTE	RAYA
#	H00A00072	C10168	PARAOLIO BASL D.60X110X12	SEALING RING	JOINT SPI	OELABDICHTUNG	PARAOLIO
#	H00A00077	C10173	PARAOLIO BASL D.70X100X10	SEALING RING	JOINT SPI	OELABDICHTUNG	PARAOLIO
#	M20A00107	C21875	CUSCINETTO OR.SFE 2212E CLASSE A 60X110X28	BEARING	ROULEMENT	KUGELLAGER	COJINETE
#	MJ5A00003	C41103	INGRASSATORE M8X1.25 DRITTO ESAGONO 11.	GREASE NIPPLE	GRAISSOR	FETTBUECHSE	ENGRASADOR
#	C10A02337	D09136	PROTEZIONE SUPPORTO TR30 sp5mm	PROTECTION	PROTECTION	SCHUTZ	PROTECCIÓN
#	M35A00015	D10858	SUPPORTO ROTORE TR30	SUPPORT	SUPPORT	STUTZE	APOYO
#	M10A00008	M10862	ROTORE COMPLETO DI MAZZE TR36-160	ROTOR	ROTOR	ROTOR	ROTOR
#	M10A00010	M10863	ROTORE COMPLETO DI MAZZE TR36-180	ROTOR	ROTOR	ROTOR	ROTOR
#	M10A00012	M10864	ROTORE COMPLETO DI MAZZE TR3646-200	ROTOR	ROTOR	ROTOR	ROTOR
#	M10A00014	M10865	ROTORE COMPLETO DI MAZZE TR36/46-220	ROTOR	ROTOR	ROTOR	ROTOR
#	M10A00016	M10866	ROTORE COMPLETO DI MAZZE TR36/46-240	ROTOR	ROTOR	ROTOR	ROTOR
#	M10A00018	M10867	ROTORE COMPLETO DI MAZZE TR36/46-280 (1°S)	ROTOR	ROTOR	ROTOR	ROTOR
#	MK0A00212	P40061	MAZZA TRINCIA FORO=18.5 LARG=140 R=95	HAMMER	MARTEAUX	HAMMERSCHLEGEL	MAZA/MARTILLO
#	MK0A00221	P40087	COLTELLO UNIVERS. TRISAR D18.5 L70 R=95	BLADE	COUTEAU	MESSER	CUCHILLO
#	C15A00801	P40088	DISTANZIALE FORO 19 H10.5 D35 (XCOLT.)	SPACER	ENTRETOISE	ABSTANDSTUECK	ESPACIADORES



K00A01038_00



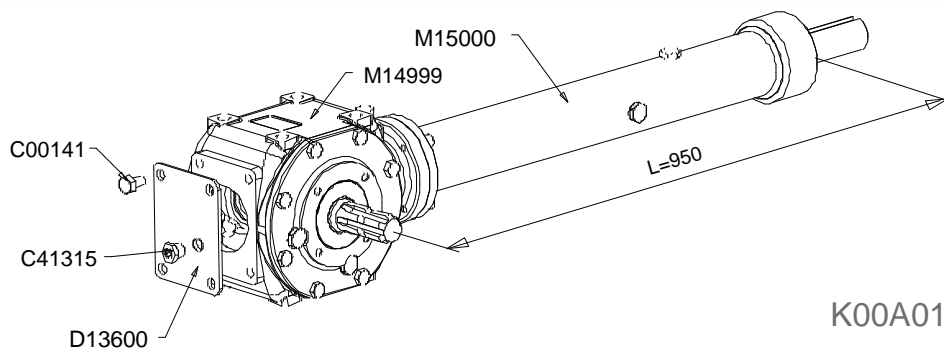
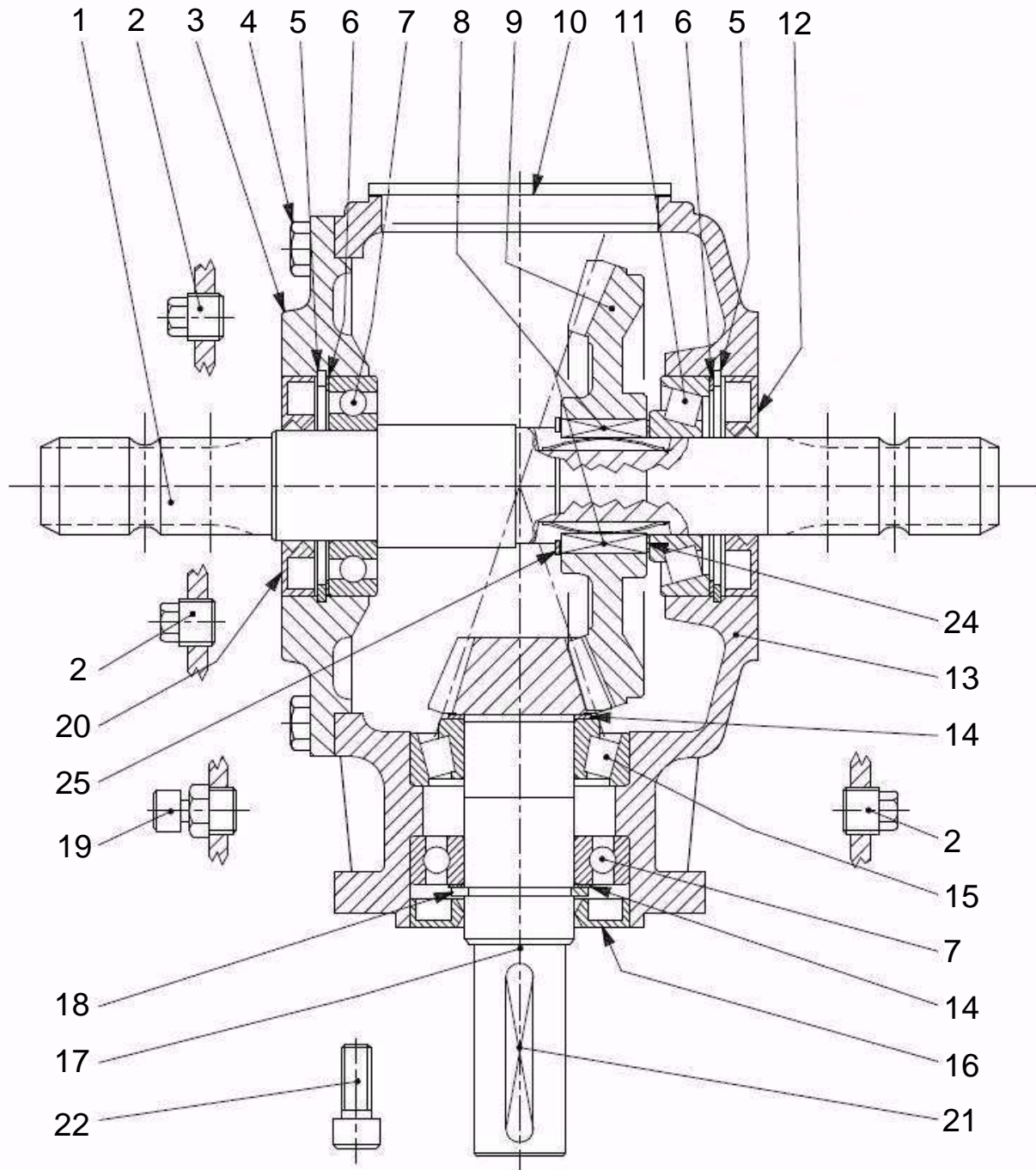
Rullo posteriore
 Rear roller
 Rouleau posterieur
 Hinter Walze

Drawing Code: **K00A01038_0**

Accessories:

N°	Code	Old.	Descrizione / Description
#	M80A00150	C00164	VITE TE 88 PG FT M16X45 ZINC UNI 5739
#	M85A00080	C02607	DADO AUTOBLOC ALTO 8 M16 H=18 UNI 7473
#	M90A00010	C03007	RONDELLA PIANA D.17 DIN125-A ZINC.
#	M90A00031	C03056	RONDELLA PIANA D18XD48X3 UNI 6593 ZINC
#	MA0A00015	C04040	SEEGER FORO D.110 UNI 7437
#	MA0A00041	C04142	SEEGER ALBERO D.50 UNI 7435
#	H00A00077	C10173	PARAOLIO BASL D.70X100X10
#	M20A00048	C21228	CUSCINETTO 6310 C3-CLASSE A 50X110X27
#	MJ5A00003	C41103	INGRASSATORE M8X1.25 DRITTO ESAGONO 11.
#	C15A00597	D10880	ANELLO D.110 PORTA PARAOLIO TR30
#	C20A01820	E10874	RULLO POST. D.159 L=1957 TR30-200
#	C20A01821	E10875	RULLO POST. D.159 L=2170 TR30-220
#	C20A01822	E10876	RULLO POST. D.159 L=2372 TR30-240
#	C20A01823	E10877	RULLO POST. D.159 L=2747 TR30-280
#	C20A02066	E13107	SUPPORTO RULLO SIN TR36
#	C20A02067	E13108	SUPPORTO RULLO DES TR36

GB	FR	D	E
SCREW	VIS	SCHRAUBE	TORNILLO
NUT	BOULONS	NUT	DADO
WASHER	RONDELLE	UNTERLEGSCHIEBE	ARANDELLA
WASHER	RONDELLE	UNTERLEGSCHIEBE	ARANDELLA
SEEGER	SEEGER	SEEGER	SEEGER
SEEGER	SEEGER	SEEGER	SEEGER
SEALING RING	JOINT SPI	OELABDICHTUNG	PARAOLIO
BEARING	ROULEMENT	KUGELLAGER	COJINETE
GREASE NIPPLE	GRAISSOR	FETTBUECHSE	ENGRASADOR
RING	AMORTISSEUR	RING	ANILLO
ROLLER	ROULEAU	WALZE	RODILLO
ROLLER	ROULEAU	WALZE	RODILLO
ROLLER	ROULEAU	WALZE	RODILLO
ROLLER	ROULEAU	WALZE	RODILLO
SUPPORT	SUPPORT	STUTZE	APOYO
SUPPORT	SUPPORT	STUTZE	APOYO



K00A01039_00_f1



Moltiplicatore M14998C

Overgear M14998C

Multiplicateur M14998C

Übersetzen M14998C

Drawing Code: **K00A01039_0_f1**

Accessories:

N°	Code	Old.	Descrizione / Description
1	M45A00151		"ALBERO RUOTA LIBERA 2 PTO 1" 3/8 Z=6"
2	H45A00013	C41220	TAPPO CARICO 3/8
3	M35A00052	R30019	COPERCHIO APERTO MOLTIPLICATORE T-312A
4	M80A00118	C00131	VITE TE 88 PG FT M10X25 ZINC UNI 5739
5	MA0A00010	C04035	SEEGER FORO D.80 UNI 7437
6	H30A00049		SPESSORE REG. 69X79.9
7	M20A00028	C21120	CUSCINETTO 6208 40x80x18
8	M75A00052	R30020	KIT NOTTOLINO L=30 + MOLLA RUOTA LIBERA
9	M40A00119	R30021	CORONA CONICA R.L. Z36 M4.58
10	C10A03089	D13600	COPERCHIO MOLTIPL.PER SPIA-LIVELLO M16X1.5
11	M20A00087	C21707	CUSCINETTO 30307 35X80X22.75
12	H00A00045	C10119	PARAOLIO BASL D.35X80X10
13	C15A00837	R30022	SCATOLA MOLTIPLICATORE T-312A
14	MA5A00129		SPESSORE REG. 40.3X51.5
15	M20A00071	C21508	CUSCINETTO 32208 40X80X24,75
16	H00A00012	C10026	PARAOLIO BA D.40X80X10
17	M40A00120	R30023	ALBERO - PIGNONE Z12 M4.58
18	MA0A00051	C04164	SEEGER ALBERO D.40X2.5 UNI 7436
19	H65A00003	C41231	TAPPO SFIATECH 3/8 GAS (ALLUMINIO) + GUARNIZIONE
20	H00A00101	C10123	PARAOLIO BASL D.40X80X10
21	MC0A00018	C04921	LINGUETTA 10X8X65 UNI6604A
22	M80A00251	C00442	VITE TCEI PG M12X30 ZINC UNI 5931
24	MA5A00130		SPESSORE REG. 48X35.3X1
25	MA0A00052	C04165	SEEGER ALBERO D.55X3 UNI 7436
C00141	M80A00128	C00141	VITE TE 88 PG FT M12X25 ZINC UNI 5739
#	M65A00139	M15000	PROLUNGA MOLTIPLICATORE T312B L=950
C41315	H60A00004	C41315	SPIA LIVELLO OLIO 16X1,5 (38A)
D13600	C10A03089	D13600	COPERCHIO MOLTIPL.PER SPIA-LIVELLO M16X1.5
M14999	M65A00138	M14999	TESTA MOLTIPLICATORE T312A-1/3-PDFP-1RL

GB	FR	D	E
SHAFT	ARBRE	WELLE	EJE
PLUG	BOUCHON	STOEPSSEL	ENCHUFE
LID	COUVERCLE	DECKEL	TAPA
SCREW	VIS	SCHRAUBE	TORNILLO
SEEGER	SEEGER	SEEGER	SEEGER
THICKNESS	CALES	DICKE	ESPESOR
BEARING	ROULEMENT	KUGELLAGER	COJINETE
KIT	KIT	KIT	KIT
CROWN	COURONNE	KRONE	CORONA
LID	COUVERCLE	DECKEL	TAPA
BEARING	ROULEMENT	KUGELLAGER	COJINETE
SEALING RING	JOINT SPI	OELABDICHTUNG	PARAOLIO
BOX	BOITE	SCHACTEL	RECUADRO
THICKNESS	CALES	DICKE	ESPESOR
BEARING	ROULEMENT	KUGELLAGER	COJINETE
SEALING RING	JOINT SPI	OELABDICHTUNG	PARAOLIO
SHAFT	ARBRE	WELLE	EJE
SEEGER	SEEGER	SEEGER	SEEGER
PLUG	BOUCHON	STOEPSSEL	ENCHUFE
SEALING RING	JOINT SPI	OELABDICHTUNG	PARAOLIO
TONGUE	CLAVETTE	ZUNGE	LENGUA
SCREW	VIS	SCHRAUBE	TORNILLO
THICKNESS	CALES	DICKE	ESPESOR
SEEGER	SEEGER	SEEGER	SEEGER
SCREW	VIS	SCHRAUBE	TORNILLO
EXTENSION	EXTENSION	VERLAENGERUNG	EXTENSIÓN
LIGHT	LUMIERE	WARNLAMPE	INDICADOR
LID	COUVERCLE	DECKEL	TAPA
HEAD	TETE	KOPF	CABEZA

Prolunga moltiplicatore M14998C

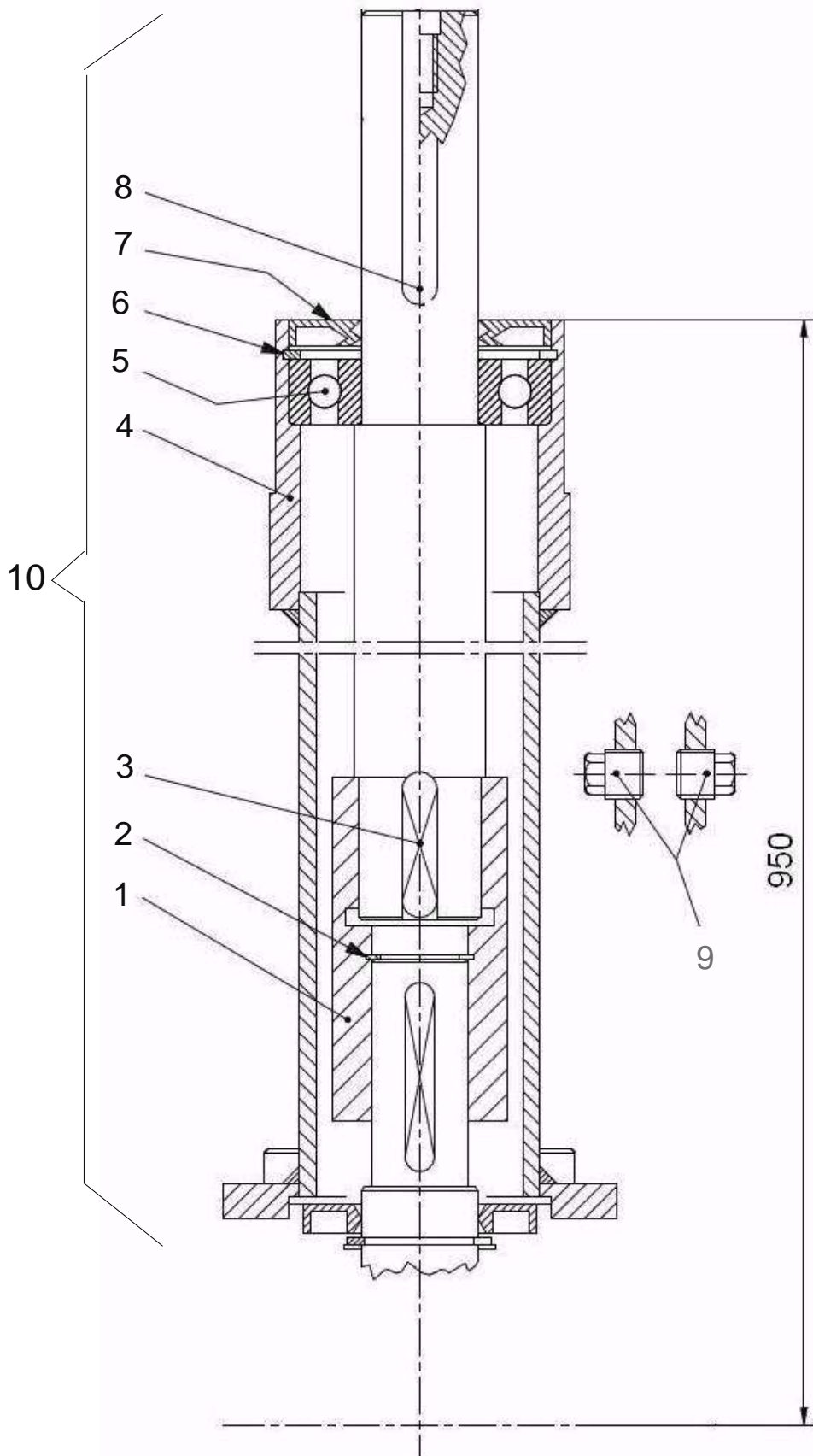
Overgear M14998C

Multiplicateur M14998C

Übersetzen M14998C

Drawing Code: **K00A01039_0_f2**

Accessories:



K00A01039_00_f2



Prolunga moltiplicatore M14998C

Overgear M14998C

Multiplicateur M14998C

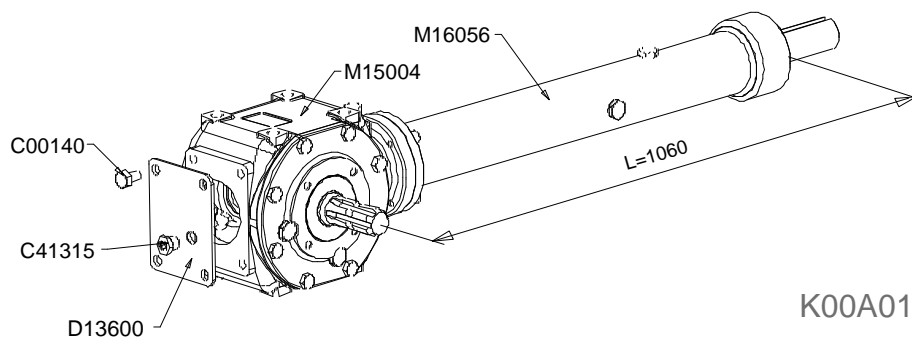
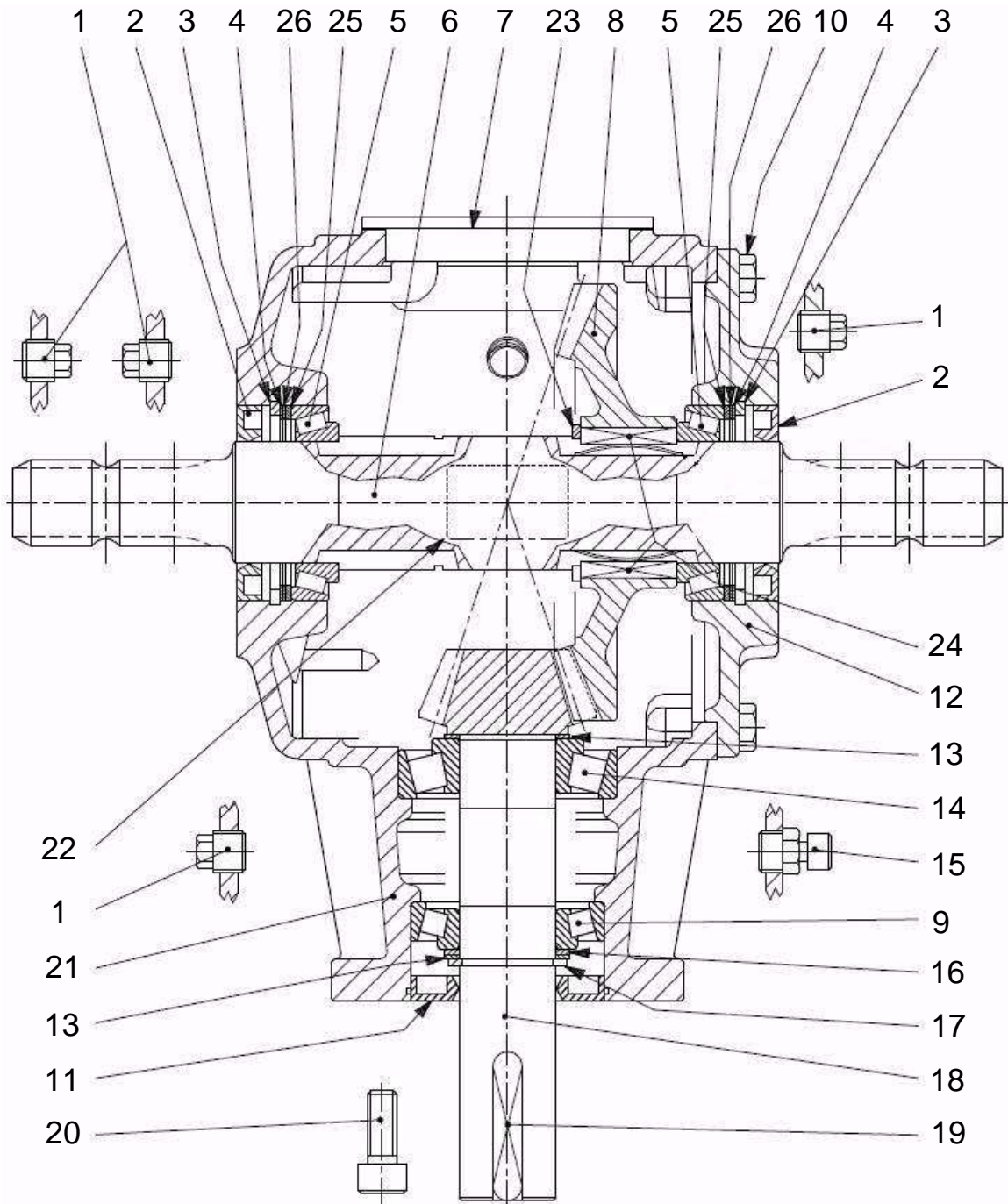
Übersetzen M14998C

Drawing Code: **K00A01039_0_f2**

Accessories:

N°	Code	Old.	Descrizione / Description
1	M25A00018	R30039	BOCCOLA
2	MA0A00001	C04023	SEEGER FORO D.33 UNI 7437
3	MC0A00015	C04918	LINGUETTA 12X8X50 UNI 6604A
5	M20A00046	C21220	CUSCINETTO 6308 40X90X23
6	MA0A00012	C04037	SEEGER FORO D.90 UNI 7437
7	H00A00047	C10121	PARAOLIO BASL 40X90X8/7
9	H45A00013	C41220	TAPPO CARICO 3/8
10	M65A00139	M15000	PROLUNGA MOLTIPLICATORE T312B L=950

GB	FR	D	E
BUSH	DOUILLE	BUCHSE	BOCOLA
SEEGER	SEEGER	SEEGER	SEEGER
TONGUE	CLAVETTE	ZUNGE	LENGUA
BEARING	ROULEMENT	KUGELLAGER	COJINETE
SEEGER	SEEGER	SEEGER	SEEGER
SEALING RING	JOINT SPI	OELABDICHTUNG	PARAOLIO
PLUG	BOUCHON	STOEPSEL	ENCHUFE
EXTENSION	EXTENSION	VERLAENGERUNG	EXTENSIÓN



K00A01040_00_f1



Moltiplicatore M16055C

Overgear M16055C

Multiplicateur M16055C

Übersetzen M16055C

Drawing Code: **K00A01040_0_f1**

Accessories:

N°	Code	Old.	Descrizione / Description
2	H00A00057	C10142	PARAOLIO BASL D.50X80X10
3	MA0A00021	C04050	SEEGER FORO D.80X4 UNI 7438
5	M20A00055	C21310	CUSCINETTO 32010X 50x80x20
7	C10A03089	D13600	COPERCHIO MULTIPL.PER SPIA-LIVELLO M16X1.5
8	M40A00121	R30025	CORONA CONICA R.L. Z36 M5
9	M20A00060	C21408	CUSCINETTO 30208 40X80X19,75
10	M80A00118	C00131	VITE TE 88 PG FT M10X25 ZINC UNI 5739
11	H00A00012	C10026	PARAOLIO BA D.40X80X10
12	M35A00053	R30026	COPERCHIO MOLTIPLICATORE T-290A
14	M20A00088	C21708	CUSCINETTO 30308 40X90X25,5
15	H65A00003	C41231	TAPPO SFIATECH 3/8 GAS (ALLUMINIO) + GUARNIZIONE
17	MA0A00051	C04164	SEEGER ALBERO D.40X2.5 UNI 7436
18	M40A00122	R30027	ALBERO - PIGNONE Z12 M5
19	MC0A00019	C04922	LINGUETTA 12X8X60 UNI 6604A
1	H45A00013	C41220	TAPPO CARICO 3/8
20	M80A00251	C00442	VITE TCEI PG M12X30 ZINC UNI 5931
21	C15A00838	R30028	SCATOLA A.P.VEL.
23	MA0A00052	C04165	SEEGER ALBERO D.55X3 UNI 7436
24	M75A00053	R30030	KIT NOTTOLINO + MOLLA RUOTA LIBERA
C00141	M80A00128	C00141	VITE TE 88 PG FT M12X25 ZINC UNI 5739
#	M65A00141	M15004	TESTA MOLTIPLICATORE T290A-1/3-PDFP-1RL
#	M79A00240	M16056	PROLUNGA MOLTIPLICATORE T290B L=1060
C41315	H60A00004	C41315	SPIA LIVELLO OLIO 16X1,5 (38A)
D13600	C10A03089	D13600	COPERCHIO MULTIPL.PER SPIA-LIVELLO M16X1.5

GB	FR	D	E
SEALING RING	JOINT SPI	OELABDICHTUNG	PARAOLIO
SEEGER	SEEGER	SEEGER	SEEGER
BEARING	ROULEMENT	KUGELLAGER	COJINETE
LID	COUVERCLE	DECKEL	TAPA
CROWN	COURONNE	KRONE	CORONA
BEARING	ROULEMENT	KUGELLAGER	COJINETE
SCREW	VIS	SCHRAUBE	TORNILLO
SEALING RING	JOINT SPI	OELABDICHTUNG	PARAOLIO
LID	COUVERCLE	DECKEL	TAPA
BEARING	ROULEMENT	KUGELLAGER	COJINETE
PLUG	BOUCHON	STOEPSSEL	ENCHUFE
SEEGER	SEEGER	SEEGER	SEEGER
SHAFT	ARBRE	WELLE	EJE
TONGUE	CLAVETTE	ZUNGE	LENGUA
PLUG	BOUCHON	STOEPSSEL	ENCHUFE
SCREW	VIS	SCHRAUBE	TORNILLO
BOX	BOITE	SCHACTEL	RECUADRO
SEEGER	SEEGER	SEEGER	SEEGER
KIT	KIT	KIT	KIT
SCREW	VIS	SCHRAUBE	TORNILLO
HEAD	TETE	KOPF	CABEZA
EXTENSION	EXTENSION	VERLAENGERUNG	EXTENSIÓN
LIGHT	LUMIERE	WARNLAMPE	INDICADOR
LID	COUVERCLE	DECKEL	TAPA

Prolunga moltiplicatore M16055C

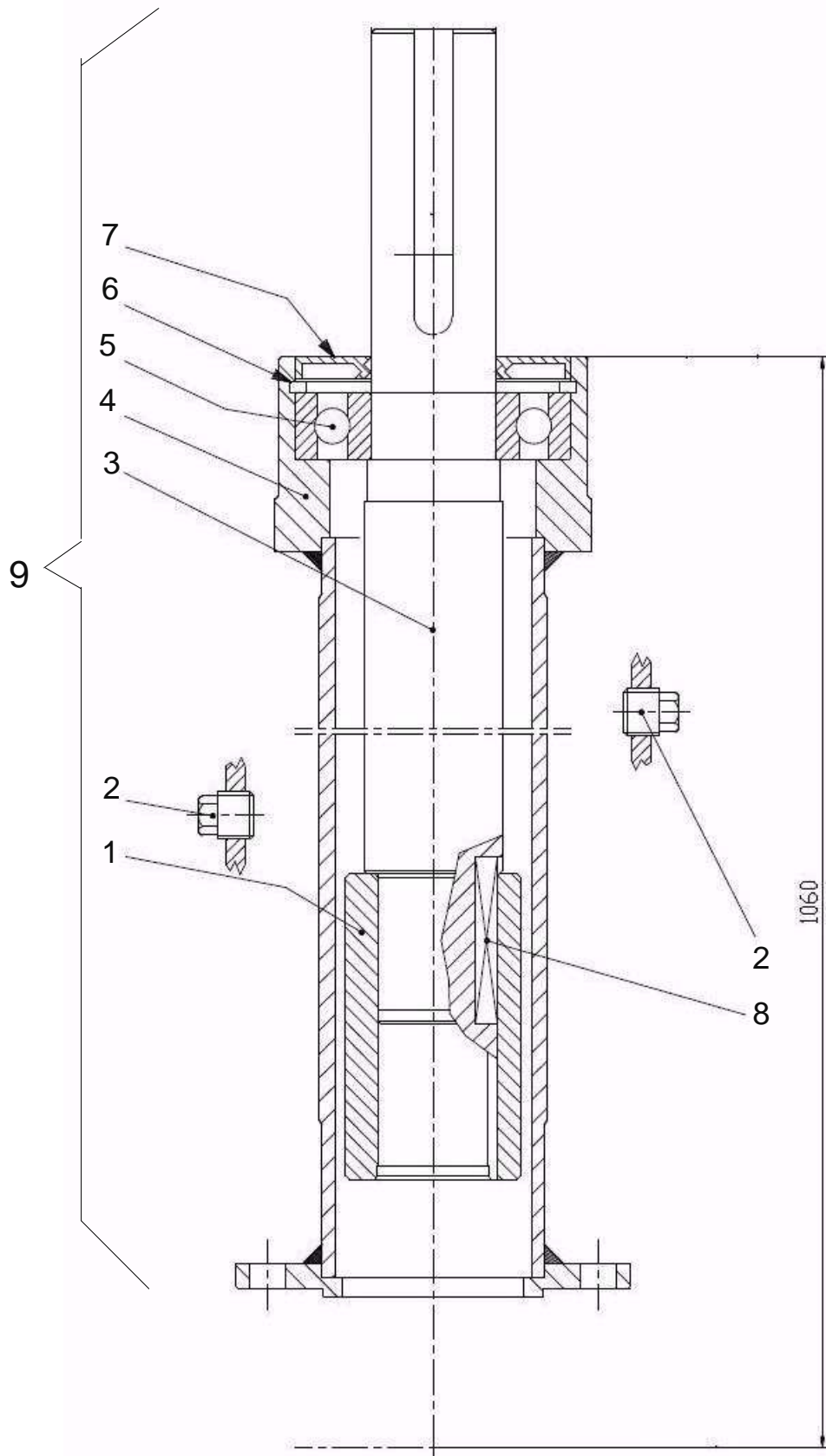
Overgear M16055C

Multiplicateur M16055C

Übersetzen M16055C

Drawing Code: **K00A01040_0_f2**

Accessories:



K00A01040_00_f2



Prolunga moltiplicatore M16055C

Overgear M16055C

Multiplicateur M16055C

Übersetzen M16055C

Drawing Code: **K00A01040_0_f2**

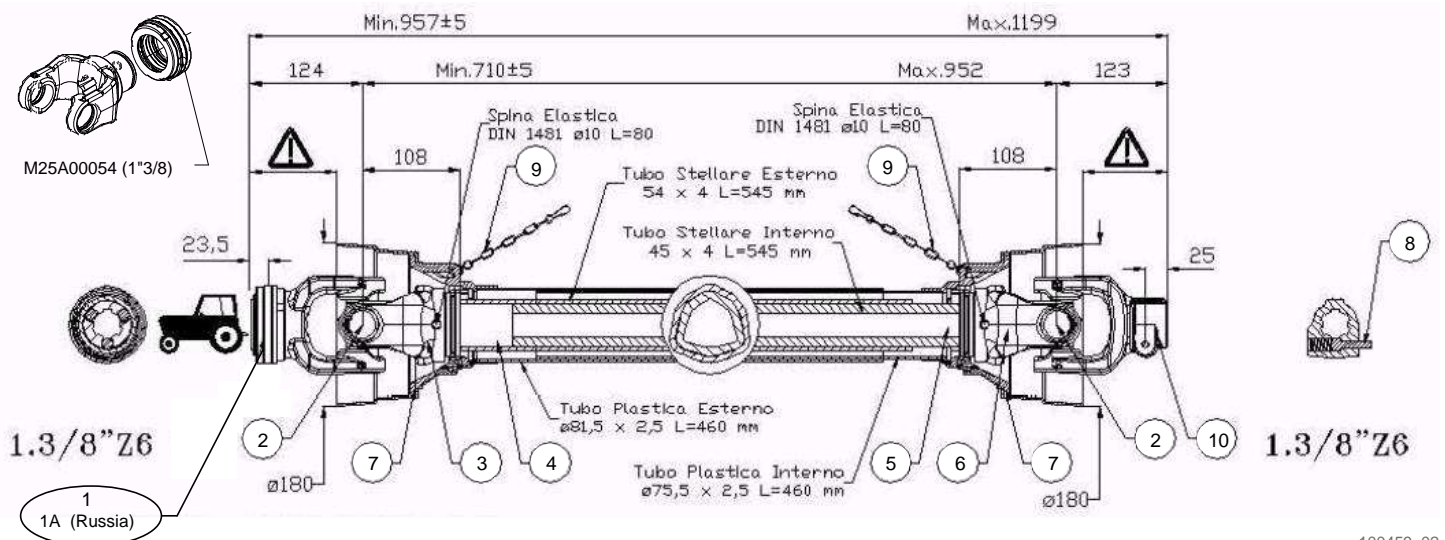
Accessories:

N°	Code	Old.	Descrizione / Description
1	M25A00017	R30036	BOCCOLA D.63.5 CAVA12
2	H45A00013	C41220	TAPPO CARICO 3/8
5	M20A00047	C21224	CUSCINETTO 6309 45X100X25
6	MA0A00014	C04039	SEEGER FORO D.100 UNI 7437
7	H00A00051	C10134	PARAOLIO BASL D.45X100X8
8	MC0A00019	C04922	LINGUETTA 12X8X60 UNI 6604A
9	M79A00240	M16056	PROLUNGA MOLTIPLICATORE T290B L=1060

GB	FR	D	E
BUSH	DOUILLE	BUCHSE	BOCOLA
PLUG	BOUCHON	STOEPSEL	ENCHUFE
BEARING	ROULEMENT	KUGELLAGER	COJINETE
SEEGER	SEEGER	SEEGER	SEEGER
SEALING RING	JOINT SPI	OELABDICHTUNG	PARAOLIO
TONGUE	CLAVETTE	ZUNGE	LENGUA
EXTENSION	EXTENSION	VERLAENGERUNG	EXTENSIÓN

Codice cardano
Code pto shaft
Code de arbre de transmission
Code gelenkwelle

M06951



100459_02



Cardano M06951

PTO shaft M06951

Arbre de transmission M06951

Gelenkwelle M06951

Drawing Code:

100459_2

Accessories:

N°	Code	Old.	Descrizione / Description
1	M72A00066	R50127	"FORCELLA RAPIDO COLLAR 1""3/8 B06"
1A	M72A00074	R50139	FORCELLA 6 D8X32X38 (RUSSIA)
2	M71A00006	R50120	CROCIERA D30.2x92 SERIE L (B06)
3	M72A00064	R50123	FORCELLA EST. TUBO TRIANG 54x4 B06
4	M73A00042	R50122	TUBO TRIANGOLARE EST. 54X4 B06 INT. B08
5	M73A00041	R50121	TUBO TRIANGOLARE INT. 45X4 B05-B06
6	M72A00065	R50124	FORCELLA INT. TUBO TRIANG 45x4 B06
7	G10A00088	R50126	PROTEZIONE COMPL.CARDANO B06X1010
8	MF0A00063	R50012	"PULSANTE COMPLETO 1""3/8"
9	MH0A00022	R50119	CATENELLA PROTEZ.CARDANO L=550
10	M72A00071	R50135	"FORCELLA 6 1"" 3/8 Z6 ATT.PULSANTE"
M25A00054	M25A00054		"COLLARE ATTACCO RAPIDO ACCIAIO 1"" 3/8"
M06951	M70A00066	M06951	"CARDANO B06-710-1""3/8+1""3/8"

GB	FR	D	E
FORK	MACHOIRE	GABEL	HORQUILLA
FORK	MACHOIRE	GABEL	HORQUILLA
CRUISE	CROISIÈRE	CRUISE	CRUISE
FORK	MACHOIRE	GABEL	HORQUILLA
TUBE	TUBE	ROHR	TUBO
TUBE	TUBE	ROHR	TUBO
FORK	MACHOIRE	GABEL	HORQUILLA
PROTECTION	PROTECTION	SCHUTZ	PROTECCIÓN
BUTTON	BOUTON	BUTTON	BOTÓN
CHAIN	CHAINE	KETTE	CADENA
FORK	MACHOIRE	GABEL	HORQUILLA
METAL RING	COLLARE	METALLRING	COLLAR
UNIVERSAL JOINT	CARDAN	GELENKWELLE	CARDAN