

Trincia

TR60



ALPEGO s.p.a.

Sede Amministrativa:

Via Torri di Confine, 6 36053 GAMBELLARA (VICENZA) - ITALY

Sede Legale:

Via Giovanni e Giuseppe Cenzato, 9 36045 LONIGO (VICENZA) - ITALY

Capitale sociale €2.000.000 i.v.

Cod. Fisc. / Part. IVA IT02009840246

R.E.A. 199795/VI/1996

Reg. Imp.VI N°22374/VI/1996

N. Mecc. VI 011754

www.alpego.com

Tel +39 0444/64.61.00

Fax +39 0444/64.61.99

e-mail: info@alpego.com

Copyright © 2009 Alpego s.p.a. ®

Tutti i diritti sono riservati. È vietata espressamente la ristampa o l'uso non autorizzato senza permesso scritto dalla Alpego s.p.a.

Tous droits réservés. Toute réimpression ou utilisation non autorisée sans la permission écrite de la Alpego s.p.a. est formellement interdite.

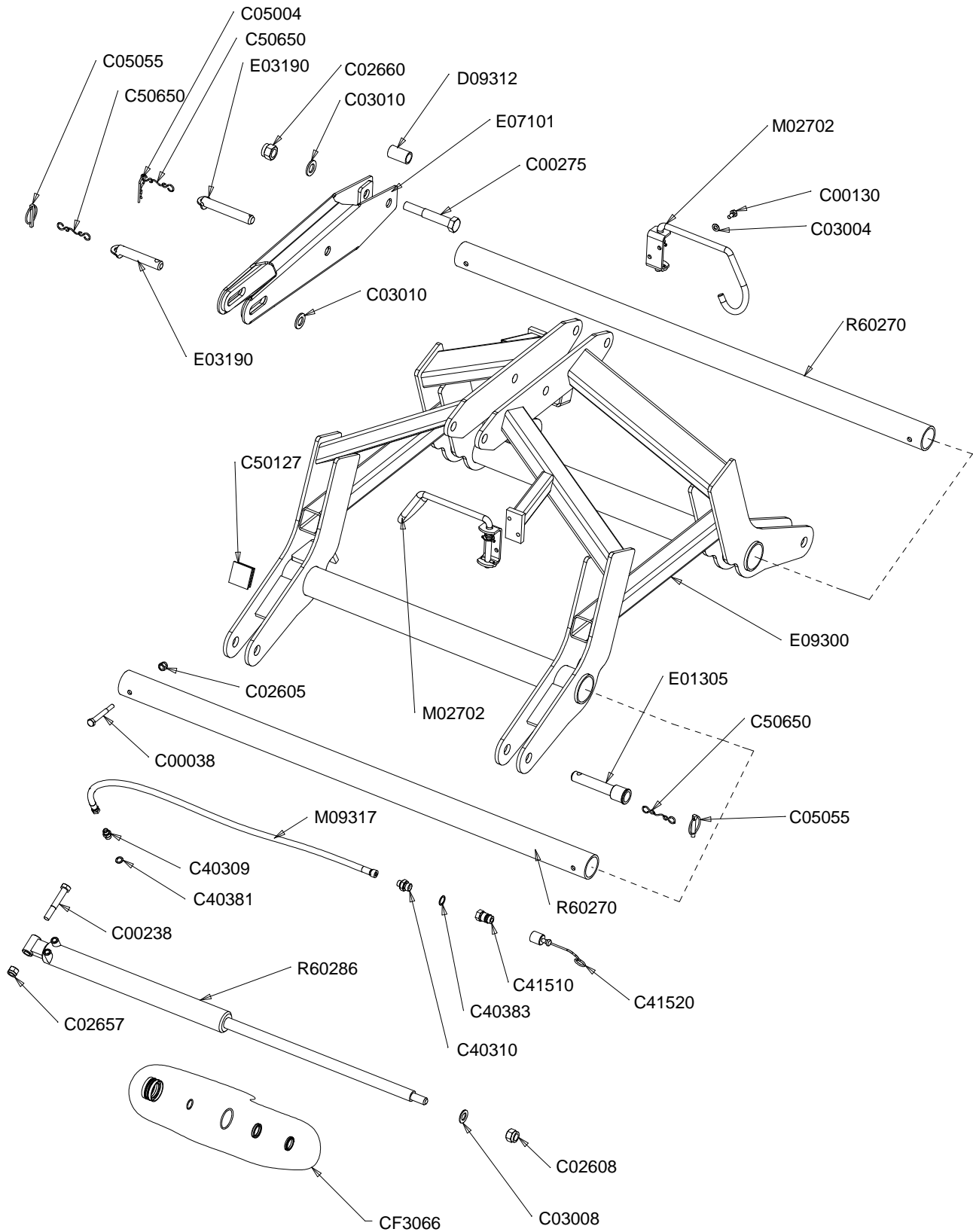
Alle Rechte vorbehalten. Nachdruck, Vervielfältigung und Verbreitung, auch auszugsweise, ist ohne schriftliche Genehmigung der Alpego s.p.a.

All rights reserved. Any reprinting or unauthorized use without the written permission of Alpego s.p.a. is expressly prohibited.

Todos los derechos reservados. Toda reproducción o uso no autorizado sin el consentimiento escrito de Alpego s.p.a. quedan expresamente prohibidos.

01/12/2014

M09316



100484_01



Attacco a 3 punti

3 Point linkage

Attelage a trois points

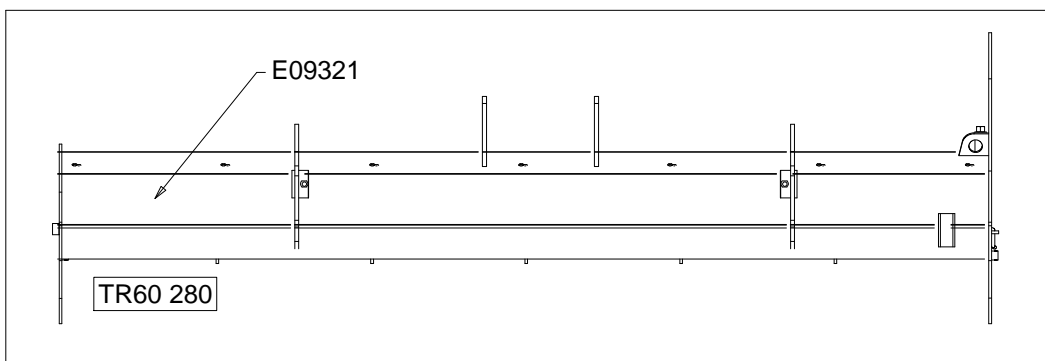
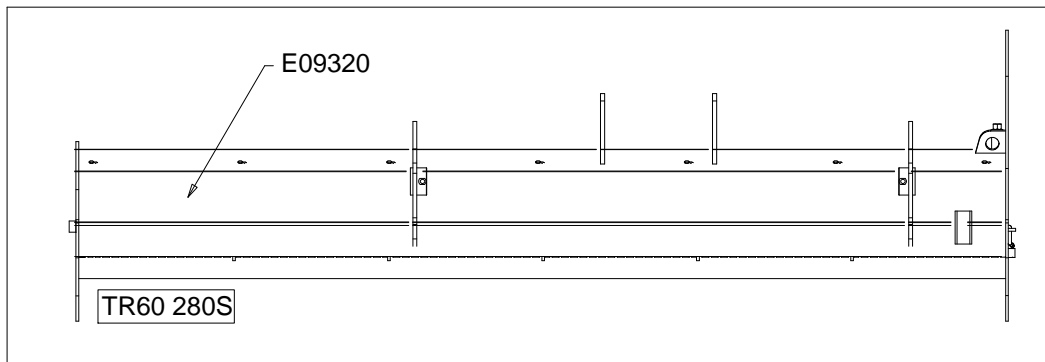
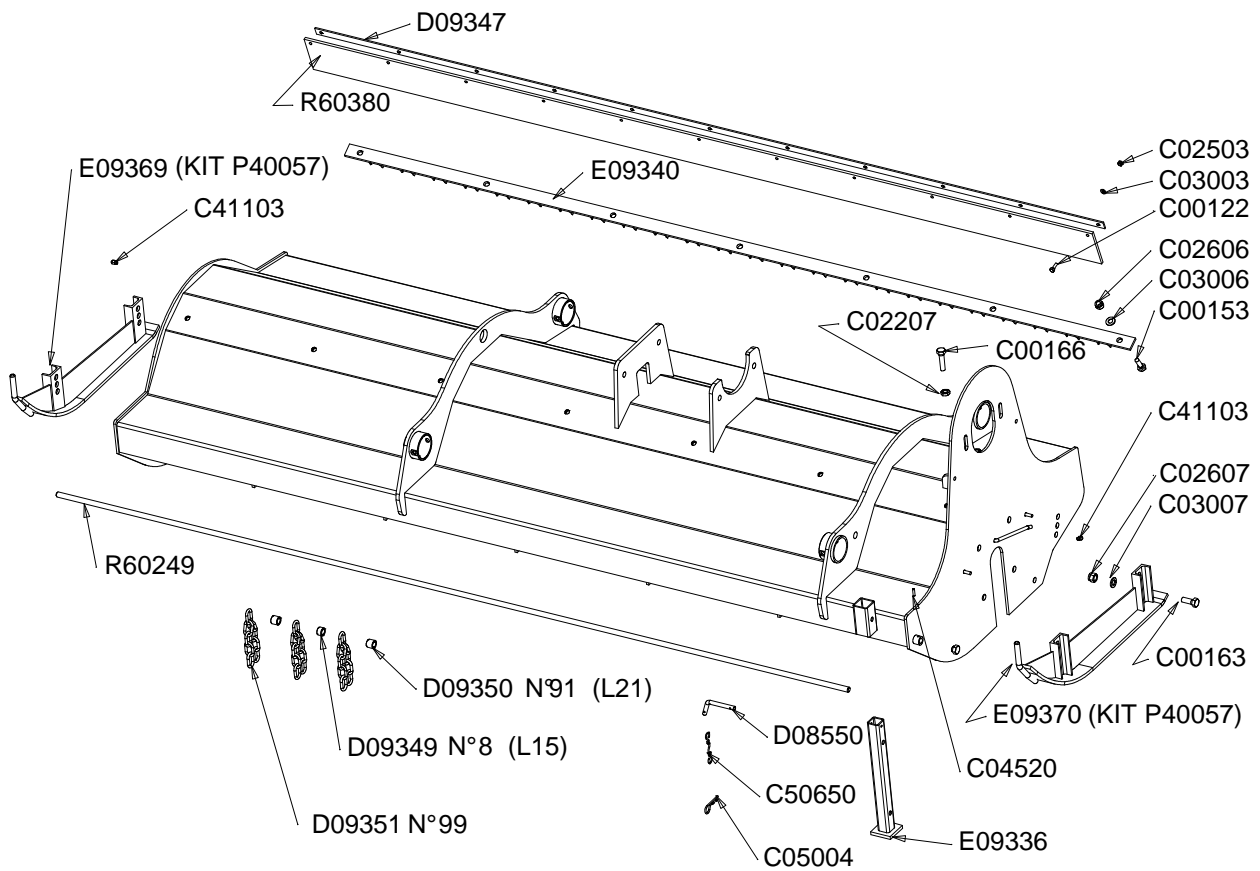
Schraubenbefestigung

Drawing Code:

100484_0

Accessories:

N°	Code	Old.	Descrizione / Description	GB	FR	D	E
#	M80A00035	C00038	VITE TE 88 PG FP M12X100 ZINC UNI 5737	SCREW	VIS	SCHRAUBE	TORNILLO
#	M80A00117	C00130	VITE TE 88 PG FT M10X20 ZINC UNI 5739	SCREW	VIS	SCHRAUBE	TORNILLO
#	M80A00187	C00238	VITE TE 88 PF FP M16X1,5X100 ZINC UNI 57	SCREW	VIS	SCHRAUBE	TORNILLO
#	M80A00209	C00275	VITE TE 88 PF FP M24X2X150 ZINC UNI 5738	SCREW	VIS	SCHRAUBE	TORNILLO
#	M85A00078	C02605	DADO AUTOBLOC ALTO 8 M12 H=14 UNI 7473	NUT	BOULONS	NUT	DADO
#	M85A00081	C02608	DADO AUTOBLOC ALTO 8 M20 H=22 UNI 7473	NUT	BOULONS	NUT	DADO
#	M85A00089	C02657	DADO AUTOBLOC ALTO 8 M16X1,5 H=18 UNI 7473	NUT	BOULONS	NUT	DADO
#	M85A00092	C02660	DADO AUTOBLOC ALTO 8 M24X2 H=28 UNI 7473	NUT	BOULONS	NUT	DADO
#	M90A00007	C03004	RONDELLA PIANA D.10,5 DIN125-A ZINC.	WASHER	RONDELLE	UNTERLEGSCHIEBE	ARANDELLA
#	M90A00011	C03008	RONDELLA PIANA D.21 DIN125-A ZINC.	WASHER	RONDELLE	UNTERLEGSCHIEBE	ARANDELLA
#	M90A00013	C03010	RONDELLA PIANA D.25 DIN125-A ZINC.	WASHER	RONDELLE	UNTERLEGSCHIEBE	ARANDELLA
#	MB0A00087	C05004	SPINA A MOLLA D.4	SOCKET	GOUPILLE	STECKER	PASADOR
#	MB0A00096	C05055	SPINA A SCATTO D.10 CON TIRANTE IN GOMMA	SOCKET	GOUPILLE	STECKER	PASADOR
#	H35A00009	C40309	NIPLES RIDUZ.1/4 3/8	NIPLES	NIPLES	NIPLES	NIPLES
#	H35A00010	C40310	NIPLES RIDUZ.1/2 3/8	NIPLES	NIPLES	NIPLES	NIPLES
#	H35A00041	C40381	RONDELLA RAME 1/4 D.13.5	WASHER	RONDELLE	UNTERLEGSCHIEBE	ARANDELLA
#	H35A00043	C40383	RONDELLA RAME 1/2 D.21	WASHER	RONDELLE	UNTERLEGSCHIEBE	ARANDELLA
#	H50A00005	C41510	INNESTO RAPIDO MASCHIO ATT.1/2 F NV	COUPLING	ACCOUPLLEMENT	KUPPLUNG	COMPROMISO
#	G10A00002	C41520	TAPPO PROT.INNESTO RAPIDO 1/2 MASCHIO BLU	PLUG	BOUCHON	STOEPSSEL	ENCHUFE
#	G10A00013	C50127	TAPPO PLASTICA TUBO 60X60X5	PLUG	BOUCHON	STOEPSSEL	ENCHUFE
#	M79A00002	C50650	GOMMINO CON ANELLI L.240 MM.	RUBBER	CAOUTCHOUC	BELAG	GOMAS
#	C00A00347	D09312	DIST. D.33.7 D.25.7 L.58 ZINC.	SPACER	ENTRETOISE	ABSTANDSTUECK	ESPACIADORES
#	M15A00169	E01305	PERNO D.28X106 UT.FORO D.12 SALD ZINC***	PIN	PIVOT	STIFT	PIN
#	M15A00172	E03190	PERNO ROND.25X109 UT.FORO D.12 ZINC***	PIN	PIVOT	STIFT	PIN
#	C20A01296	E07101	BRACCIO 3?PUNTO REVERSIBILE TRINCIA TR60	ARM	BRAS	ARM	BRAZO
#	C20A01605	E09300	CASTELLO ATTACCO 3 PUNTI TR60	THREE-POINT HITCH	3EME POINT	A-RAHMEN	CASTILLO
#	M79A00013	M02702	GANCIO SUPP. CARDANO COMPL.***	HOOK	ATTACHE	HAKEN	ENGANCHE
#	H80A00035	M09316	CILINDRO IDRAULICO SPOSTAMENTO LAT. TR60	CYLINDER	CYLINDRE	ZYLINDER	CILÍNDRICA
#	H75A00079	M09317	"TUBO IDR FD 3/8"-R1AT 1/4""X2100-MD1/4""	TUBE	TUBE	ROHR	TUBO
#	C15A00891	R60270	GUIDA ATT.TRE PUNTI L=1465 TR60-280/280S	RAIL	GUIDE	SCHIENE	GUÍA
#	H80A00058	R60286	CILINDRO IDRAULICO TR30/60	CYLINDER	CYLINDRE	ZYLINDER	CILÍNDRICA





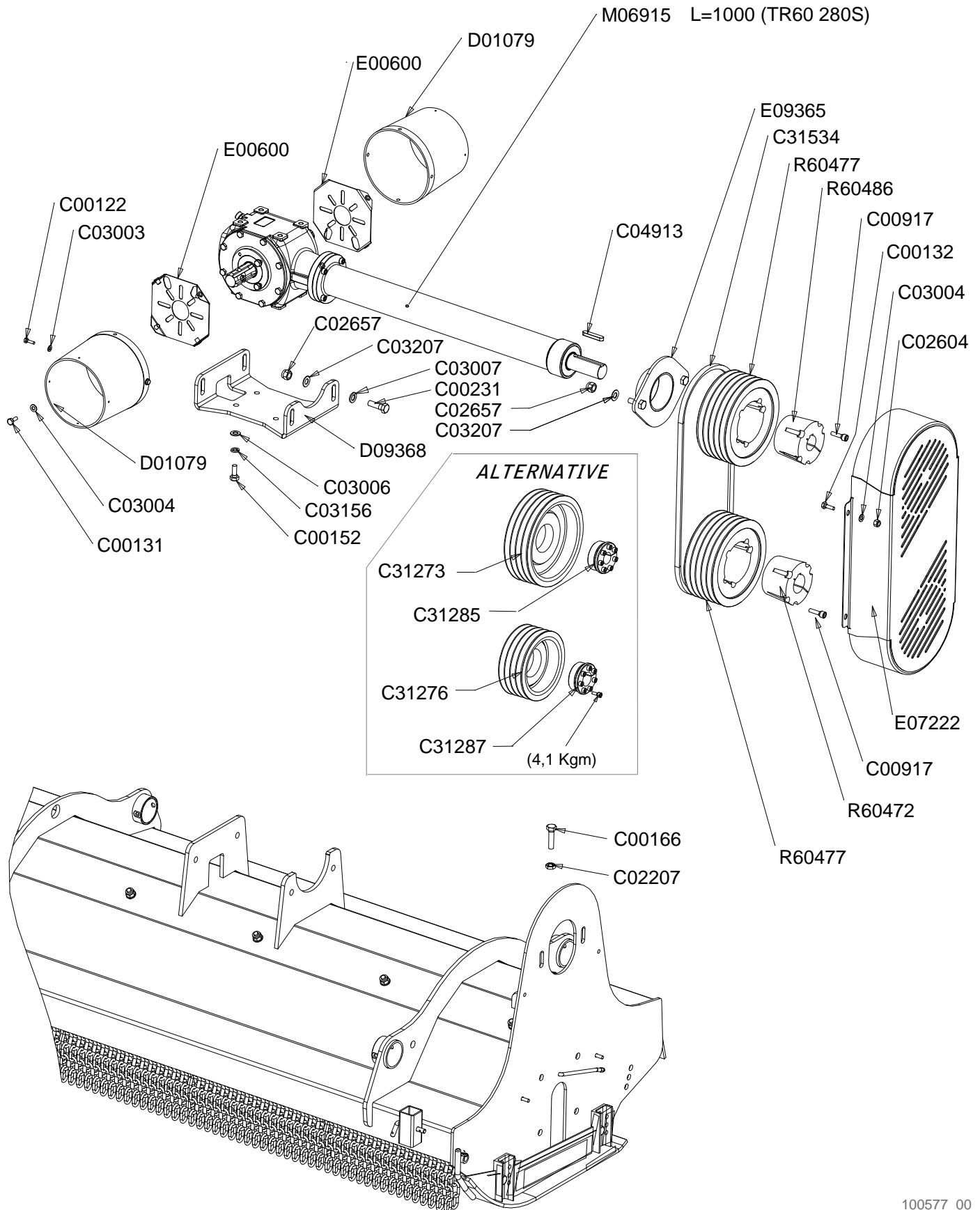
Telaio
Frame
Chassis
Chassis

Drawing Code: **100485_0**

Accessories:

N°	Code	Old.	Descrizione / Description
#	M80A00111	C00122	VITE TE 88 PG FT M8X25 ZINC UNI 5739
#	M80A00138	C00153	VITE TE 88 PG FT M14X40 ZINC UNI 5739
#	M80A00149	C00163	VITE TE 88 PG FT M16X40 ZINC UNI 5739
#	M80A00152	C00166	VITE TE 88 PG FT M16X60 ZINC UNI 5739
#	M85A00045	C02207	DADO BASSO 8 PG M16 UNI 5589
#	M85A00056	C02503	DADO AUTOBLOC BASSO 8 PG M8 H=8 UNI 7474
#	M85A00079	C02606	DADO AUTOBLOC ALTO 8 M14 H=16 UNI 7473
#	M85A00080	C02607	DADO AUTOBLOC ALTO 8 M16 H=18 UNI 7473
#	M90A00005	C03003	RONDELLA PIANA D.8,4 DIN125-A ZINC.
#	M90A00009	C03006	RONDELLA PIANA D.15 DIN125-A ZINC.
#	M90A00010	C03007	RONDELLA PIANA D.17 DIN125-A ZINC.
#	MB0A00012	C04520	SPINA ELASTICA D.6X25
#	MB0A00087	C05004	SPINA A MOLLA D.4
#	MJ5A00003	C41103	INGRASSATORE M8X1.25 DRITTO ESAGONO 11.
#	M79A00002	C50650	GOMMINO CON ANELLI L.240 MM.
#	M15A00105	D08550	PERNO D.12X85 FORO D.5 PIEGATO ***
#			
#	G10A00053	D09349	DISTANZIALE CATENE DI PROT. L=15
#	G10A00054	D09350	DISTANZIALE CATENEDI PROT. L=21
#	MH0A00017	D09351	CATENA DI PROTEZIONE PER TR60
#			
#			
#	C20A01606	E09336	PIEDINO APPOGGIO TRINCIA H390
#			
#			
#			
#	C15A00875	R60249	ASTA SOSTEGNO BANDIERINE TR60-280
#	G05A00060	R60380	PROTEZIONE POSTERIORE TR60-280
#			

GB	FR	D	E
SCREW	VIS	SCHRAUBE	TORNILLO
SCREW	VIS	SCHRAUBE	TORNILLO
SCREW	VIS	SCHRAUBE	TORNILLO
SCREW	VIS	SCHRAUBE	TORNILLO
NUT	BOULONS	NUT	DADO
NUT	BOULONS	NUT	DADO
NUT	BOULONS	NUT	DADO
NUT	BOULONS	NUT	DADO
WASHER	RONDELLE	UNTERLEGSCHLEIBE	ARANDELLA
WASHER	RONDELLE	UNTERLEGSCHLEIBE	ARANDELLA
WASHER	RONDELLE	UNTERLEGSCHLEIBE	ARANDELLA
SOCKET	GOUPILLE	STECKER	PASADOR
SOCKET	GOUPILLE	STECKER	PASADOR
GREASE NIPPLE	GRAISSOR	FETTBUECHSE	ENGRASADOR
RUBBER	CAOUTCHOUC	BELAG	GOMAS
PIN	PIVOT	STIFT	PIN
SPACER	ENTRETOISE	ABSTANDSTUECK	ESPACIADORES
SPACER	ENTRETOISE	ABSTANDSTUECK	ESPACIADORES
CHAIN	CHAINE	KETTE	CADENA
FOOT	PIED	FUSS	PIE
ROD	POLE	STIFT	POLOS
PROTECTION	PROTECTION	SCHUTZ	PROTECCIÓN





Trasmissione
Transmission
Transmission
Riemenantrieb

Drawing Code: **100577_0**

Accessories:

N°	Code	Old.	Descrizione / Description	GB	FR	D	E
#	M80A00111	C00122	VITE TE 88 PG FT M8X25 ZINC UNI 5739	SCREW	VIS	SCHRAUBE	TORNILLO
#	M80A00118	C00131	VITE TE 88 PG FT M10X25 ZINC UNI 5739	SCREW	VIS	SCHRAUBE	TORNILLO
#	M80A00120	C00132	VITE TE 88 PG FT M10X30 ZINC UNI 5739	SCREW	VIS	SCHRAUBE	TORNILLO
#	M80A00137	C00152	VITE TE 88 PG FT M14X35 ZINC UNI 5739	SCREW	VIS	SCHRAUBE	TORNILLO
#	M80A00152	C00166	VITE TE 88 PG FT M16X60 ZINC UNI 5739	SCREW	VIS	SCHRAUBE	TORNILLO
#	M80A00180	C00231	VITE TE 88 PF FP M16X1,5X50 ZINC UNI 5738	SCREW	VIS	SCHRAUBE	TORNILLO
#	M80A00360	C00917	"VITE TCEI 1/2""X1""1/2 (BUSSOLA CON.3535)"	SCREW	VIS	SCHRAUBE	TORNILLO
#	M85A00045	C02207	DADO BASSO 8 PG M16 UNI 5589	NUT	BOULONS	NUT	DADO
#	M85A00077	C02604	DADO AUTOBLOC ALTO 8 M10 H=11.5 UNI 7473	NUT	BOULONS	NUT	DADO
#	M85A00089	C02657	DADO AUTOBLOC ALTO 8 M16X1,5 H=18 UNI 7473	NUT	BOULONS	NUT	DADO
#	M90A00005	C03003	RONDELLA PIANA D.8,4 DIN125-A ZINC.	WASHER	RONDELLE	UNTERLEGSCHLEIBE	ARANDELLA
#	M90A00007	C03004	RONDELLA PIANA D.10,5 DIN125-A ZINC.	WASHER	RONDELLE	UNTERLEGSCHLEIBE	ARANDELLA
#	M90A00009	C03006	RONDELLA PIANA D.15 DIN125-A ZINC.	WASHER	RONDELLE	UNTERLEGSCHLEIBE	ARANDELLA
#	M90A00010	C03007	RONDELLA PIANA D.17 DIN125-A ZINC.	WASHER	RONDELLE	UNTERLEGSCHLEIBE	ARANDELLA
#	M90A00046	C03156	RONDELLA GROWER RINF. D.14 ASA B27 ZINCO-LAMELLARE	WASHER	RONDELLE	UNTERLEGSCHLEIBE	ARANDELLA
#	M90A00053	C03207	DISCO ELAST. D.16,3X31,5X1,75 ZINC+DEIDR DIN 2093 ZINCO-L	DISC	DISQUE	SCHLEIBE	DISCO
#	MC0A00010	C04913	LINGUETTA 14X9X70 UNI 6604A	TONGUE	CLAVETTE	ZUNGE	LENGUA
#	M60A00009	C31273	PULEGGIA PER CALETT. 250X5 SPB D.80	PULLEY	POULIE	RIEMENSCHLEIBE	POLEAS
#	M60A00012	C31276	PULEGGIA PER CALETT. 250X5 SPB D.85	PULLEY	POULIE	RIEMENSCHLEIBE	POLEAS
#	M75A00006	C31285	CALETTATORE VK-156 DI=45 DE=80	KEYED FLANGE	CALE	VERKEILER	CALENTADOR
#	M75A00008	C31287	CALETTATORE VK-160 DI=55 DE=85	KEYED FLANGE	CALE	VERKEILER	CALENTADOR
#	M55A00020	C31534	"CINGHIA ""SPB""1700 (TR60-280)"	BELT	CEINTURE	RIEMEN	CORREA
#	G10A00038	D01079	PROTEZIONE CARDANO D.INT.220X h 200	PROTECTION	PROTECTION	SCHUTZ	PROTECCIÓN
#							
#	C20A00034	E00600	FONDELLO PROTEZIONE COMPLETO	BOTTOM	FOND	BODEN	FONDO
#	C20A01313	E07222	CARTER COMPL. TR60 (280) ***	HOUSING	CARTER	GEHAUSE	CARTER
#							
#	M65A00093	M06915	"MOLTIP R251-1/1,92-RL-PDFP1""3/4-1060-D45"	MULTIPLIER	MULTIPLICATEUR	UEBERSETZUNGSGETRIEBE	MULTIPLICADOR
#	M75A00080	R60472	BUSSOLA CONICA 35-35 D.55	BUSHING	ENTRETOISE	BUCHSE	BRUJULA
#	M60A00024	R60477	PULEGGIA 250X5 SPB	PULLEY	POULIE	RIEMENSCHLEIBE	POLEAS
#	M75A00082	R60486	BUSSOLA CONICA (3535) 90-90 D.45	BUSHING	ENTRETOISE	BUCHSE	BRUJULA
#							

Rotore con supporti

Rotor and holder

Rotor au support

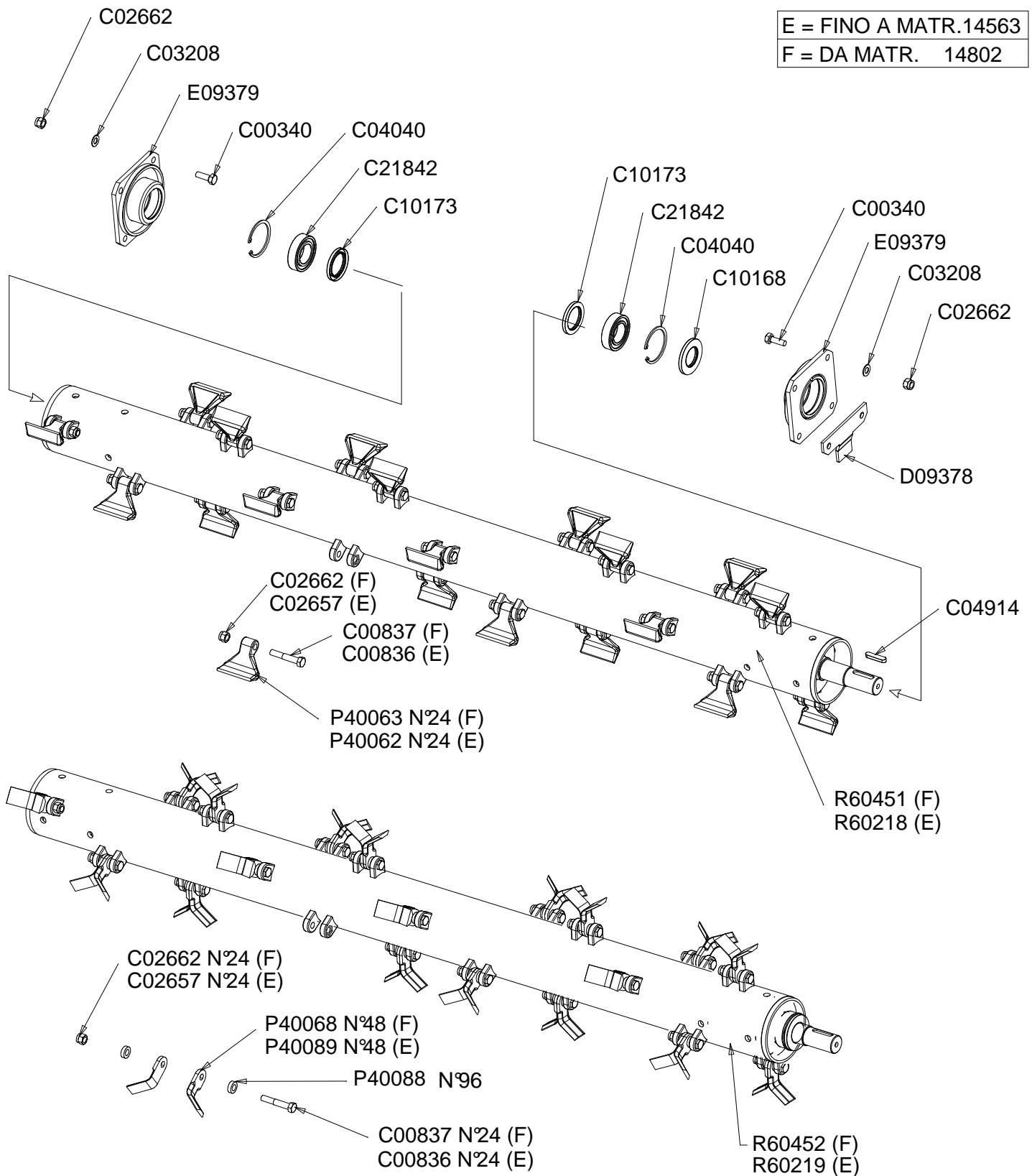
Rotor - stutze

Drawing Code: **100486_0**

Accessories:

E = FINO A MATR.14563

F = DA MATR. 14802



100486_00



Rotore con supporti

Rotor and holder

Rotor au support

Rotor - stutze

Drawing Code:

100486_0

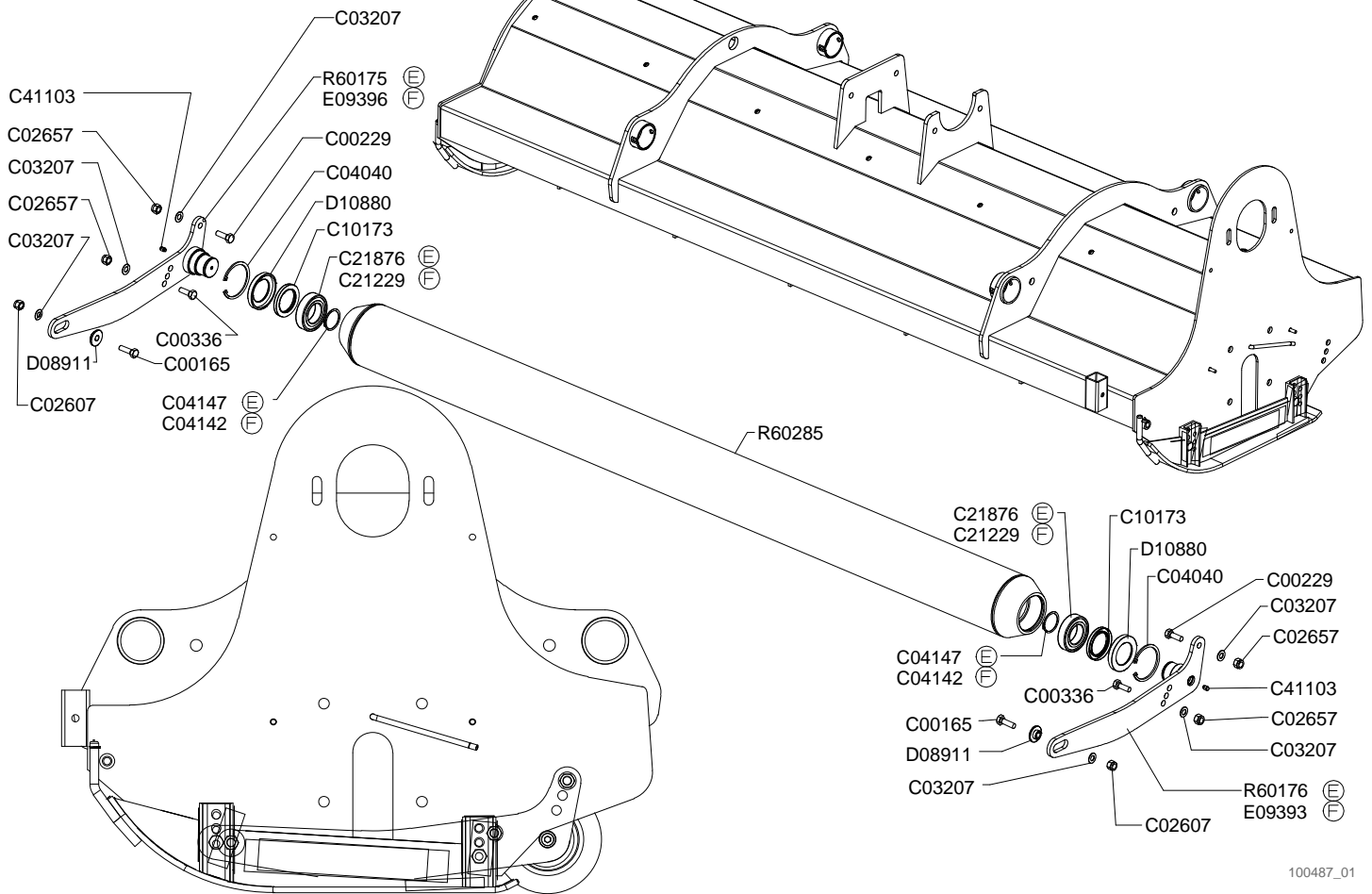
Accessories:

N°	Code	Old.	Descrizione / Description
#	M80A00219	C00340	VITE TE 88 PF FT M18X1,5X50 UNI 5740
#	M80A00329	C00836	VITE TE 10.9 M16X1,5X90 UNI5738
#	M80A00329	C00836	VITE TE 10.9 M16X1,5X90 UNI5738
#	M80A00330	C00837	VITE TE 12.9 PF M18X1.5X100 FIL30 UNI 5738
#	M85A00089	C02657	DADO AUTOBLOC ALTO 8 M16X1,5 H=18 UNI 7473
#	M85A00089	C02657	DADO AUTOBLOC ALTO 8 M16X1,5 H=18 UNI 7473
#	M85A00094	C02662	DADO AUTOBLOC ALTO 8 M18X1.5 H=20 UNI 7473
#	M90A00054	C03208	DISCO ELAST. D.18.3X35.5X2 ZINC DIN 2093
#	MA0A00015	C04040	SEEGER FORO D.110 UNI 7437
#	MC0A00011	C04914	LINGUETTA 16X10X70 UNI 6604A
#	H00A00072	C10168	PARAOLIO BASL D.60X110X12
#	H00A00077	C10173	PARAOLIO BASL D.70X100X10
#	M20A00104	C21842	CUSCINETTO OR. RULLI 22212 60X110X28
#			
#	M35A00035	E09379	SUPPORTO ROTORE DES TR60
#	MK0A00213	P40062	MAZZA TRINCIA FORO=16.5 LARG=120 R=110
#	MK0A00214	P40063	MAZZA TRINCIA FORO=18.5 LARG=120 R=110
#	MK0A00217	P40068	COLTELLO UNIVERS. TRISAR D18.5 L60 R=110
#	C15A00801	P40088	DISTANZIALE FORO 19 H10.5 D35 (XCOLT.)
#	MK0A00222	P40089	COLTELLO UNIVERS. TRISAR D16.5 L60 R=110
#	M10A00133	R60218	ROTORE COMPLETO DI MAZZE TR60-280
#	M10A00134	R60219	ROTORE COMPLETO DI COLTELLI TR60-280YS
#	M10A00146	R60451	ROTORE COMPLETO DI MAZZE TR60-280
#	M10A00147	R60452	ROTORE COMPLETO DI COLTELLI TR60-280YS

GB	FR	D	E
SCREW	VIS	SCHRAUBE	TORNILLO
SCREW	VIS	SCHRAUBE	TORNILLO
SCREW	VIS	SCHRAUBE	TORNILLO
SCREW	VIS	SCHRAUBE	TORNILLO
NUT	BOULONS	NUT	DADO
NUT	BOULONS	NUT	DADO
NUT	BOULONS	NUT	DADO
DISC	DISQUE	SCHEIBE	DISCO
SEEGER	SEEGER	SEEGER	SEEGER
TONGUE	CLAVETTE	ZUNGE	LENGUA
SEALING RING	JOINT SPI	OELABDICHTUNG	PARAOLIO
SEALING RING	JOINT SPI	OELABDICHTUNG	PARAOLIO
BEARING	ROULEMENT	KUGELLAGER	COJINETE
SUPPORT	SUPPORT	STUTZE	APOYO
HAMMER	MARTEAUX	HAMMERSCHLEGEL	MAZA/MARTILLO
HAMMER	MARTEAUX	HAMMERSCHLEGEL	MAZA/MARTILLO
BLADE	COUTEAU	MESSER	CUCHILLO
SPACER	ENTRETOISE	ABSTANDSTUECK	ESPACIADORES
BLADE	COUTEAU	MESSER	CUCHILLO
ROTOR	ROTOR	ROTOR	ROTOR
ROTOR	ROTOR	ROTOR	ROTOR
ROTOR	ROTOR	ROTOR	ROTOR
ROTOR	ROTOR	ROTOR	ROTOR

Ⓔ = FINO A MATRICOLA NUMERO / JUSQU' À NOMBRE DE SÉRIÉS 22602
BIS REIHE ZAHL / UNTIL SERIAL NUMBER

Ⓕ = DA MATRICOLA NUMERO / À PARTIR DE NUMÉRO DE SÉRIÉS 22603
BEGINN VON DER REIHE ZAHL / FROM SERIAL NUMBER





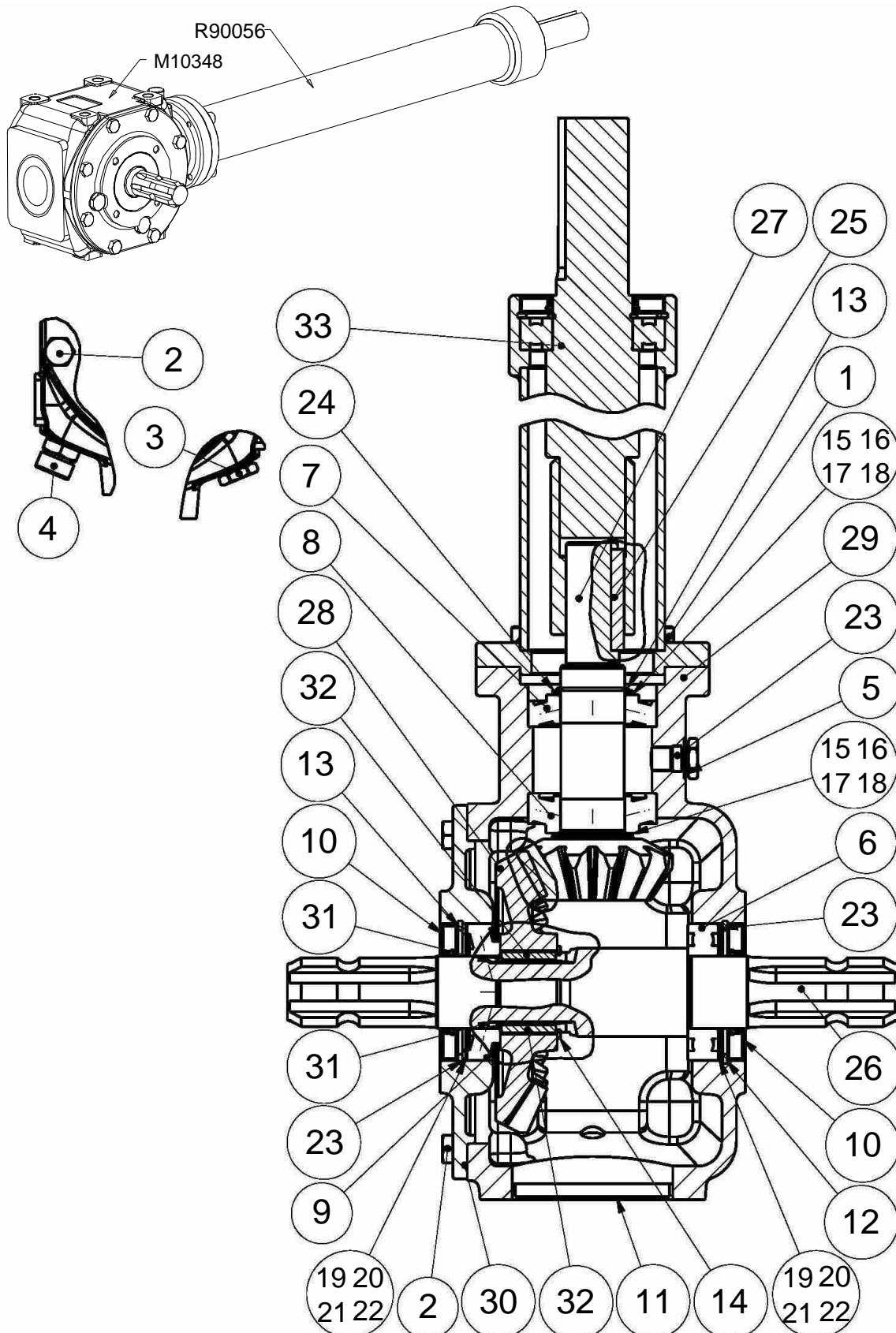
Rullo posteriore
 Rear roller
 Rouleau posterieur
 Hinter Walze

Drawing Code: **100487_1**

Accessories:

N°	Code	Old.	Descrizione / Description
#	M80A00151	C00165	VITE TE 88 PG FT M16X50 ZINC UNI 5739
#	M80A00179	C00229	VITE TE 10.9 M16X1,5X45 ZINC F25
#	M80A00218	C00336	VITE TE 88 PFFTM16X1,5X45(sos.da C00229)
#	M85A00080	C02607	DADO AUTOBLOC ALTO 8 M16 H=18 UNI 7473
#	M85A00089	C02657	DADO AUTOBLOC ALTO 8 M16X1,5 H=18 UNI 7473
#	M90A00053	C03207	DISCO ELAST. D.16,3X31.5X1.75 ZINC+DEIDR DIN 2093 ZINCO-L
#	MA0A00015	C04040	SEEGER FORO D.110 UNI 7437
#	MA0A00041	C04142	SEEGER ALBERO D.50 UNI 7435
#	MA0A00046	C04147	SEEGER ALBERO D.60 UNI 7435
#	H00A00077	C10173	PARAOLIO BASL D.70X100X10
#	M20A00049	C21229	CUSCINETTO 6310 Z C3 (CL- B) 50X110X27
#	M20A00108	C21876	CUSCINETTO OR.SFE 2212E 60X110X28 CLASSE B
#	MJ5A00003	C41103	INGRASSATORE M8X1.25 DRITTO ESAGONO 11.
#	C15A00520	D08911	BOCCOLA COLLARE FIANCO RULLO TR30
#	C15A00597	D10880	ANELLO D.110 PORTA PARAOLIO TR30
#	C20A01607	E09393	BRACCIO SUPP. RULLO S - TR60 2°VERSIONE
#	C20A01608	E09396	BRACCIO SUPP. RULLO D - TR60 2°VERSIONE
#	C20A02502	R60175	BRACCIO SUPP. RULLO D - TR60
#	C20A02503	R60176	BRACCIO SUPP. RULLO S - TR60
#	C20A02515	R60285	RULLO POSTERIORE TR60-280

GB	FR	D	E
SCREW	VIS	SCHRAUBE	TORNILLO
SCREW	VIS	SCHRAUBE	TORNILLO
SCREW	VIS	SCHRAUBE	TORNILLO
NUT	BOULONS	NUT	DADO
NUT	BOULONS	NUT	DADO
DISC	DISQUE	SCHEIBE	DISCO
SEEGER	SEEGER	SEEGER	SEEGER
SEEGER	SEEGER	SEEGER	SEEGER
SEEGER	SEEGER	SEEGER	SEEGER
SEALING RING	JOINT SPI	OELABDICHTUNG	PARAOLIO
BEARING	ROULEMENT	KUGELLAGER	COJINETE
BEARING	ROULEMENT	KUGELLAGER	COJINETE
GREASE NIPPLE	GRAISSOR	FETTBUCHSE	ENGRASADOR
BUSH	DOUILLE	BUCHSE	BOCOLA
RING	AMORTISSEUR	RING	ANILLO
ARM	BRAS	ARM	BRAZO
ARM	BRAS	ARM	BRAZO
ARM	BRAS	ARM	BRAZO
ARM	BRAS	ARM	BRAZO
ARM	BRAS	ARM	BRAZO
ROLLER	ROULEAU	WALZE	RODILLO





Moltiplicatore M06915 - (TR60-280S / 280YS)

Overgear M06915 - (TR60-280S / 280YS)

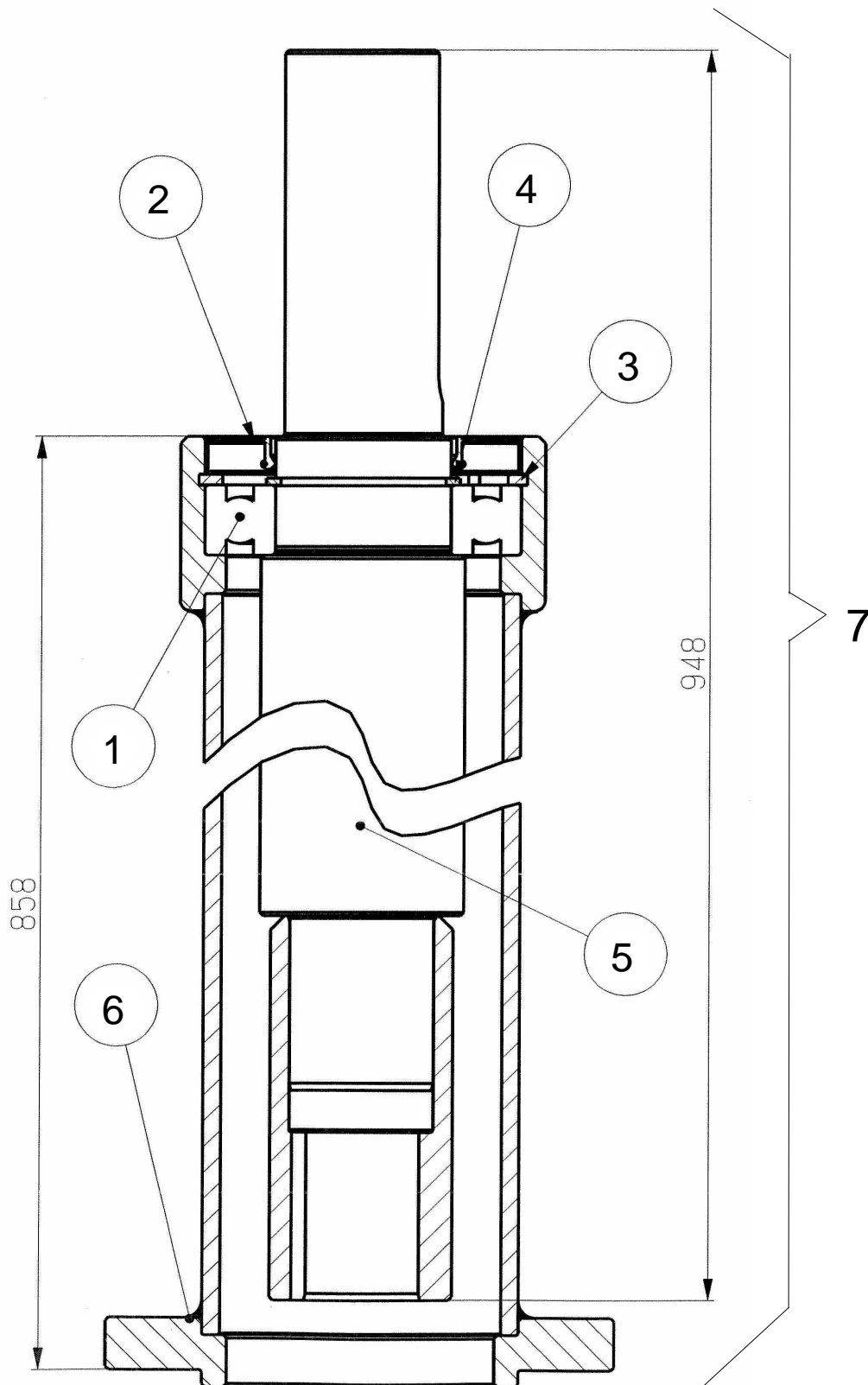
Multiplicateur M06915 - (TR60-280S / 280YS)

Übersetzen M06915 - (TR60-280S / 280YS)

Drawing Code: **100489_0_f1**

Accessories:

N°	Code	Old.	Descrizione / Description	GB	FR	D	E
3	H45A00016	C41225	TAPPO M16X1,5 (32.A)	PLUG	BOUCHON	STOEPSSEL	ENCHUFE
4	H65A00002	C41230	TAPPO SFIATO M16X1,5 (30.A) LABIRINTO	PLUG	BOUCHON	STOEPSSEL	ENCHUFE
10	H00A00102	C10132	PARAOLIO BASL D.45X85X10	SEALING RING	JOINT SPI	OELABDICHTUNG	PARAOLIO
25	MC0A00021		LINGUETTA 10X8X63 UNI6604A	TONGUE	CLAVETTE	ZUNGE	LENGUA
26	M45A00129	R90064	"ALBERO RUOTA LIBERA 2 PTO 1""3/4 Z=6"	SHAFT	ARBRE	WELLE	EJE
27	M40A00148	R90057	PIGNONE CONICO Z=13 M=7 R=1.923 DIAM.=33 H7 R250	PINION	PIGNON	RITZEL	PIÑÓN
28	M40A00149	R90058	CORONA CONICA Z=25 M=7 R=1.92 R.L. R250	CROWN	COURONNE	KRONE	CORONA
29	C15A01021	R90059	SCATOLA RIDUTTORE R250	BOX	BOITE	SCHACTEL	RECUADRO
30	M35A00086	R90060	COPERCHIO R250	LID	COUVERCLE	DECKEL	TAPA
31	MF5A00086	R90061	MOLLA RUOTA LIBERA	SPRING	RESSORT	FEDER	MUELLE
32	C15A01023	R90065	NOTTOLINO L=35.3 MULTIPL M06915	-	-	-	-
33	M65A00162	R90066	PROLUNGA COMPLETA L=858/1060 CH R251	EXTENSION	EXTENSION	VERLAENGERUNG	EXTENSIÓN
#							
#	M45A00128	R90056	"ALBERO RUOTA LIBERA 1 PTO 1"" 3/4 Z=6"	SHAFT	ARBRE	WELLE	EJE



100489_00_f2



Prolunga moltiplicatore M06915 - (TR60-280S / 280YS)

Overgear M06915 - (TR60-280S / 280YS)

Multiplicateur M06915 - (TR60-280S / 280YS)

Übersetzen M06915 - (TR60-280S / 280YS)

Drawing Code: **100489_0_f2**

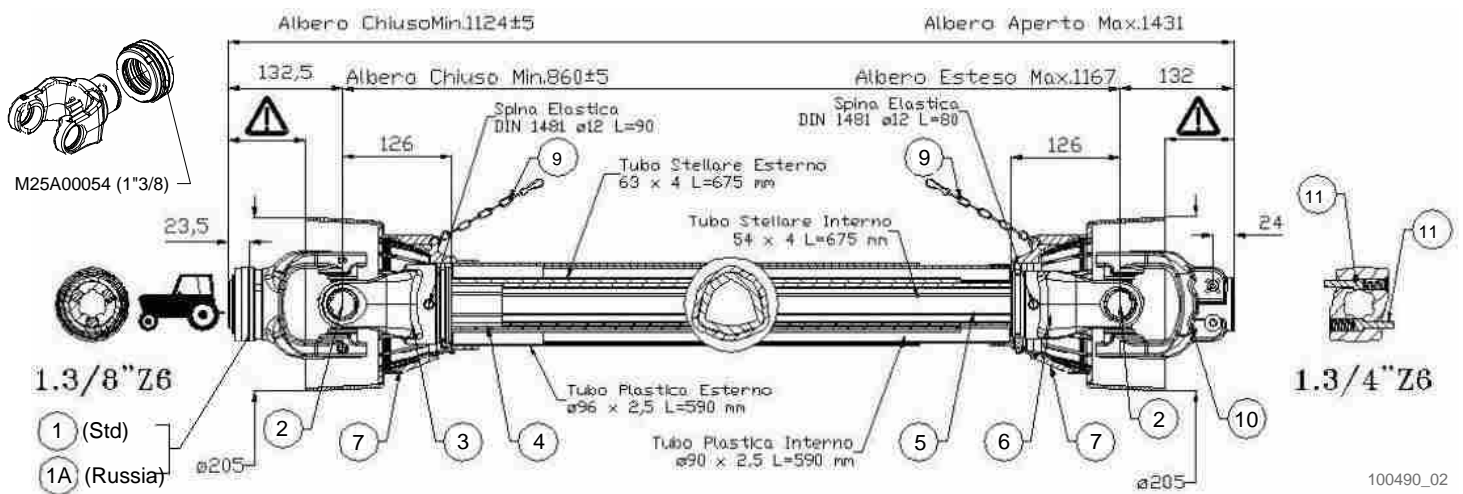
Accessories:

N°	Code	Old.	Descrizione / Description
1	M20A00035	C21128	CUSCINETTO 6210 50x90x20
2	H00A00059	C10144	PARAOLIO BASL D.50X90X10
3	MA0A00012	C04037	SEEGER FORO D.90 UNI 7437
4	MA0A00041	C04142	SEEGER ALBERO D.50 UNI 7435
7	M65A00162	R90066	PROLUNGA COMPLETA L=858/1060 CH R251

GB	FR	D	E
BEARING	ROULEMENT	KUGELLAGER	COJINETE
SEALING RING	JOINT SPI	OELABDICHTUNG	PARAOLIO
SEEGER	SEEGER	SEEGER	SEEGER
SEEGER	SEEGER	SEEGER	SEEGER
EXTENSION	EXTENSION	VERLAENGERUNG	EXTENSIÓN

Codice cardano
Code pto shaft
Code de arbre de transmission
Code gelenkwelle

M06953



100490_02



Cardano M06953
 PTO shaft M06953
 Arbre de transmission M06953
 Gelenkwelle M06953

Drawing Code: **100490_2**

Accessories:

N°	Code	Old.	Descrizione / Description
1A	M72A00038	R50007	FORCELLA 8 D8X32X38 (RUSSIA)
2	M71A00003	R20022	CROCIERA BX8 (COD. 1008017)
3	M72A00037	R50006	FORCELLA TUBO D.63
4	M73A00044	R50137	TUBO TRIANGOLARE EST. 63X4 B08
5	M73A00042	R50122	TUBO TRIANGOLARE EST. 54X4 B06
6	M72A00036	R50005	FORCELLA TUBO D.54
7	G10A00081	R50004	PROT. COMPL.CARDANI BENZI L=1210 B08
9	MH0A00022	R50119	CATENELLA PROTEZ.CARDANO L=550
10	M72A00041	R50010	"FORCELLA 8 1""3/4 z=6"
1	M72A00051	R50080	"FORCELLA 8 1""3/8 Z=6 COLLAR RAPID CL200"
11	MF0A00064	R50013	"PULSANTE COMPLETO 1""3/4"
#	M70A00068	M06953	"CARDANO B08-086-1""3/4+1""3/8"
#	M25A00054		"COLLARE ATTACCO RAPIDO ACCIAIO 1"" 3/8"

GB	FR	D	E
FORK	MACHOIRE	GABEL	HORQUILLA
CRUISE	CROISIÈRE	CRUISE	CRUISE
FORK	MACHOIRE	GABEL	HORQUILLA
TUBE	TUBE	ROHR	TUBO
TUBE	TUBE	ROHR	TUBO
FORK	MACHOIRE	GABEL	HORQUILLA
PROTECTION	PROTECTION	SCHUTZ	PROTECCIÓN
CHAIN	CHAINE	KETTE	CADENA
FORK	MACHOIRE	GABEL	HORQUILLA
FORK	MACHOIRE	GABEL	HORQUILLA
BUTTON	BOUTON	BUTTON	BOTÓN
UNIVERSAL JOINT	CARDAN	GELENKWELLE	CARDAN
METAL RING	COLLARE	METALLRING	COLLAR