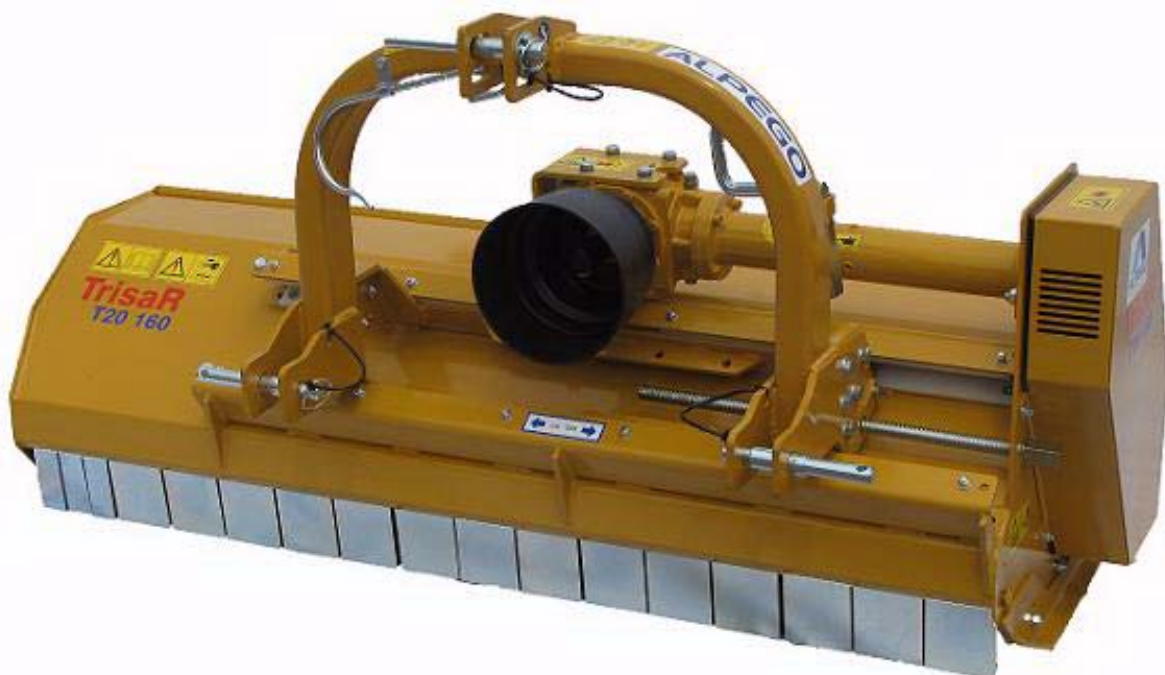


Trincia

T20



www.alpego.com

Tel +39 0444/64.61.00

Fax +39 0444/64.61.99

e-mail: info@alpego.com

ALPEGO s.p.a.

Sede Amministrativa:

Via Torri di Confine, 6 36053 GAMBELLARA (VICENZA) - ITALY

Sede Legale:

Via Giovanni e Giuseppe Cenzato, 9 36045 LONIGO (VICENZA) - ITALY

Capitale sociale €2.000.000 i.v.

Cod. Fisc. / Part. IVA IT02009840246

R.E.A. 199795/VI/1996

Reg. Imp.VI N° 22374/VI/1996

N. Mecc. VI 011754

Copyright © 2009 Alpego s.p.a. ®

Tutti i diritti sono riservati. È vietata espressamente la ristampa o l'uso non autorizzato senza permesso scritto dalla Alpego s.p.a.

Tous droits réservés. Toute réimpression ou utilisation non autorisée sans la permission écrite de la Alpego s.p.a. est formellement interdite.

Alle Rechte vorbehalten. Nachdruck, Vervielfältigung und Verbreitung, auch auszugsweise, ist ohne schriftliche Genehmigung der Alpego s.p.a.

All rights reserved. Any reprinting or unauthorized use without the written permission of Alpego s.p.a. is expressly prohibited.

Todos los derechos reservados. Toda reproducción o uso no autorizado sin el consentimiento escrito de Alpego s.p.a. quedan expresamente prohibidos.

Attacco a tre punti

3 Point linkage

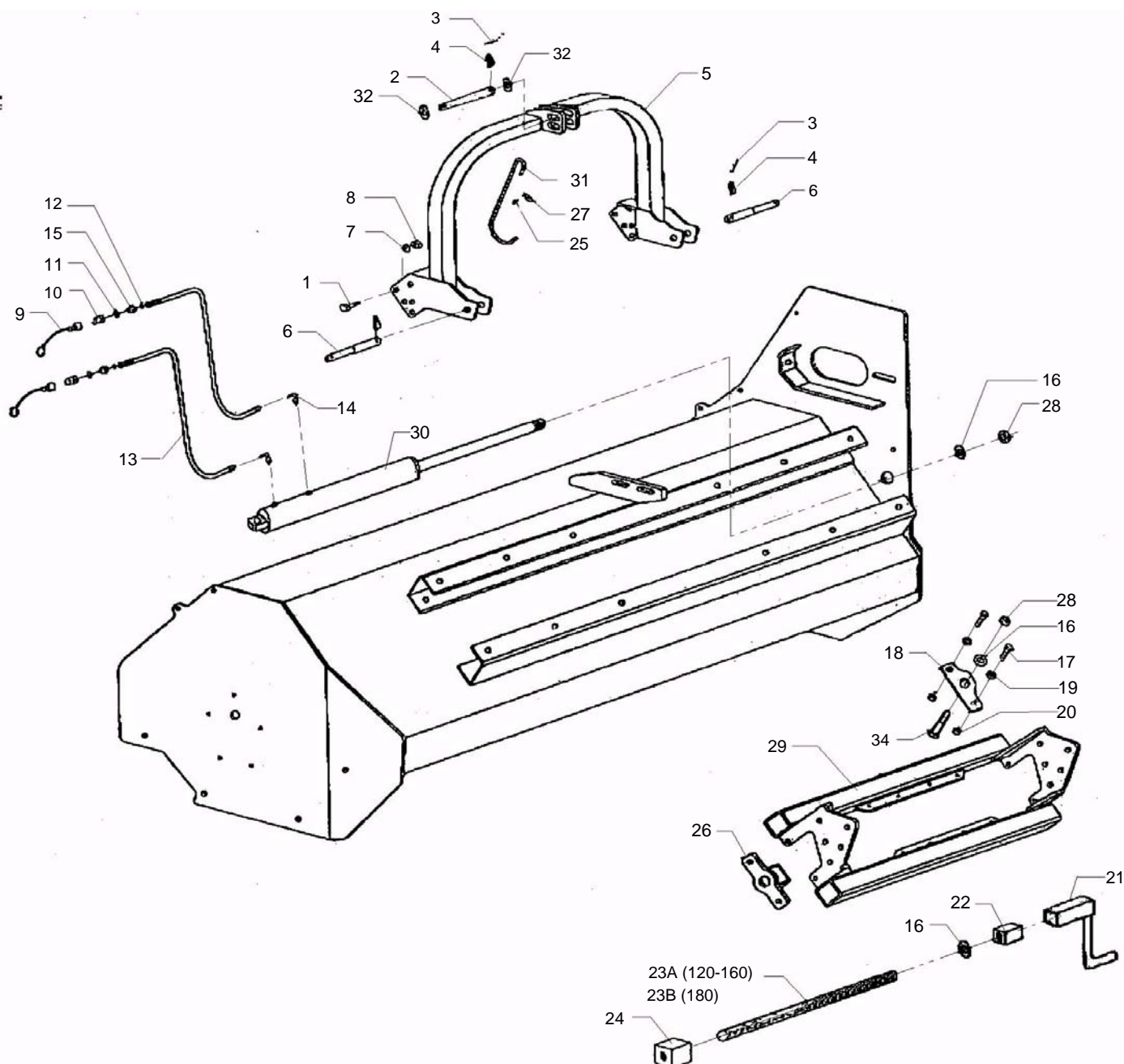
Attelage a trois points

Schraubenbefestigung

Drawing Code:

100962_0

Accessories:



100962_00

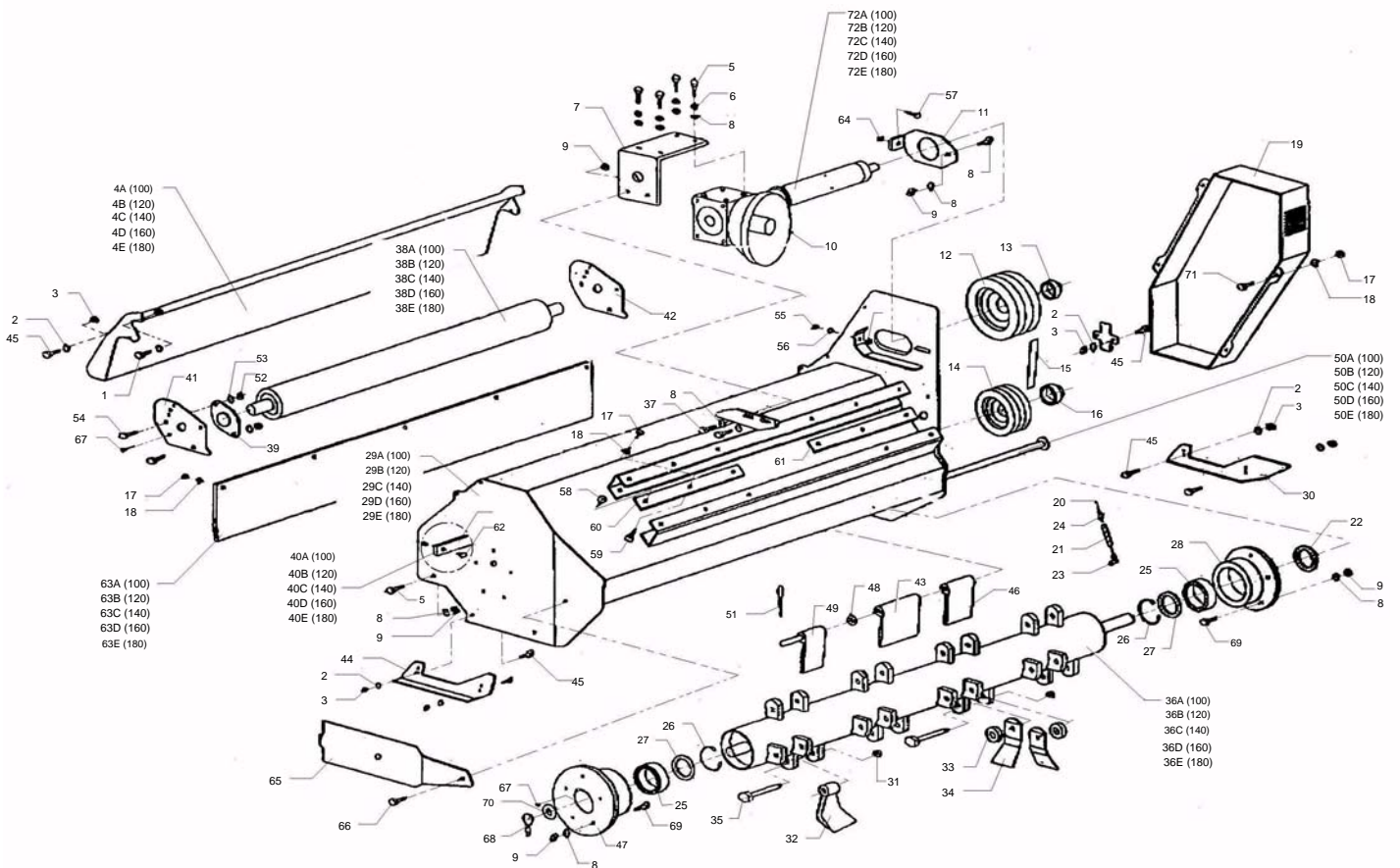


Attacco a tre punti
3 Point linkage
Attelage a trois points
Schraubenbefestigung

Drawing Code: **100962_0**

Accessories:

N°	Code	Old.	Descrizione /Description	GB	FR	D	E
1	M80A00130	C00143	VITE TE 88 PG FT M12X35 ZINC UNI 5739	SCREW	VIS	SCHRAUBE	TORNILLO
2	C20A02499	R60165	FIANCATA SUPP. RULLO SIN. TR30	SIDE	LONG	NEBEN	JUNTO
3	M79A00002	C50650	GOMMINO CON ANELLI L.240 MM.	RUBBER	CAOUTCHOUC	BELAG	GOMAS
4	C20A02670	R80204	CORPO ASSOLCATORE CORTO DOPPIO DISCO	BODY	CORPS	KOERPER	CUERPO
5	M90A00035	C03105	RONDELLA GROWER D.12 DIN 127	WASHER	RONDELLE	UNTERLEGSCHIEBE	ARANDELLA
6	M80A00118	C00131	VITE TE 88 PG FT M10X25 ZINC UNI 5739	SCREW	VIS	SCHRAUBE	TORNILLO
7	M90A00008	C03005	RONDELLA PIANA D.13 DIN125-A ZINC.	WASHER	RONDELLE	UNTERLEGSCHIEBE	ARANDELLA
8	M85A00050	C02305	DADO METALBLOC M12 X 1.75	NUT	BOULONS	NUT	DADO
9	G10A00002	C41520	TAPPO PROT.INNESTO RAPIDO 1/2 MASCHIO BLU	PLUG	BOUCHON	STOEPSSEL	ENCHUFE
10	H50A00005	C41510	INNESTO RAPIDO MASCHIO ATT.1/2 F NV	COUPLING	ACCOUPLLEMENT	KUPPLUNG	COMPROMISO
11	H35A00043	C40383	RONDELLA RAME 1/2 D.21	WASHER	RONDELLE	UNTERLEGSCHIEBE	ARANDELLA
12	H35A00041	C40381	RONDELLA RAME 1/4 D.13.5	WASHER	RONDELLE	UNTERLEGSCHIEBE	ARANDELLA
15	M80A00121	C00133	VITE TE 88 PG FT M10X35 ZINC UNI 5739	SCREW	VIS	SCHRAUBE	TORNILLO
16	M90A00010	C03007	RONDELLA PIANA D.17 DIN125-A ZINC.	WASHER	RONDELLE	UNTERLEGSCHIEBE	ARANDELLA
17	M80A00120	C00132	VITE TE 88 PG FT M10X30 ZINC UNI 5739	SCREW	VIS	SCHRAUBE	TORNILLO
19	M90A00007	C03004	RONDELLA PIANA D.10,5 DIN125-A ZINC.	WASHER	RONDELLE	UNTERLEGSCHIEBE	ARANDELLA
20	M85A00049	C02304	DADO METALBLOC M10	NUT	BOULONS	NUT	DADO
21	M90A00003	C03002	RONDELLA PIANA D.6,4 DIN125-A ZINC.	WASHER	RONDELLE	UNTERLEGSCHIEBE	ARANDELLA
23	M85A00077	C02604	DADO AUTOBLOC ALTO 8 M10 H=11.5 UNI 7473	NUT	BOULONS	NUT	DADO
24	M80A00046	C00053	VITE TE 88 PG FP M14X60 ZINC UNI 5737	SCREW	VIS	SCHRAUBE	TORNILLO
25	M80A00109	C00120	VITE TE 88 PG FT M8X16 ZINC UNI 5739	SCREW	VIS	SCHRAUBE	TORNILLO
26	M80A00098	C00111	VITE TE 88 PG FT M6X20 ZINC UNI 5739	SCREW	VIS	SCHRAUBE	TORNILLO
28	M85A00054	C02357	DADO METALBLOC M16X1,5	NUT	BOULONS	NUT	DADO
29	C20A02937		CARRELLO SPOSTAMENTO T20	CARRIAGE	CHARIOT	WAGEN	CARRO
30	M85A00075	C02603	DADO AUTOBLOC ALTO 8 M8 H=10.6 UNI 7473	NUT	BOULONS	NUT	DADO
31	M90A00030	C03054	RONDELLA PIANA D16XD42X2.5 UNI 6593 ZINC	WASHER	RONDELLE	UNTERLEGSCHIEBE	ARANDELLA
32	M90A00014	C03011	RONDELLA PIANA D.28 DIN125-A ZINC.	WASHER	RONDELLE	UNTERLEGSCHIEBE	ARANDELLA



100963_00

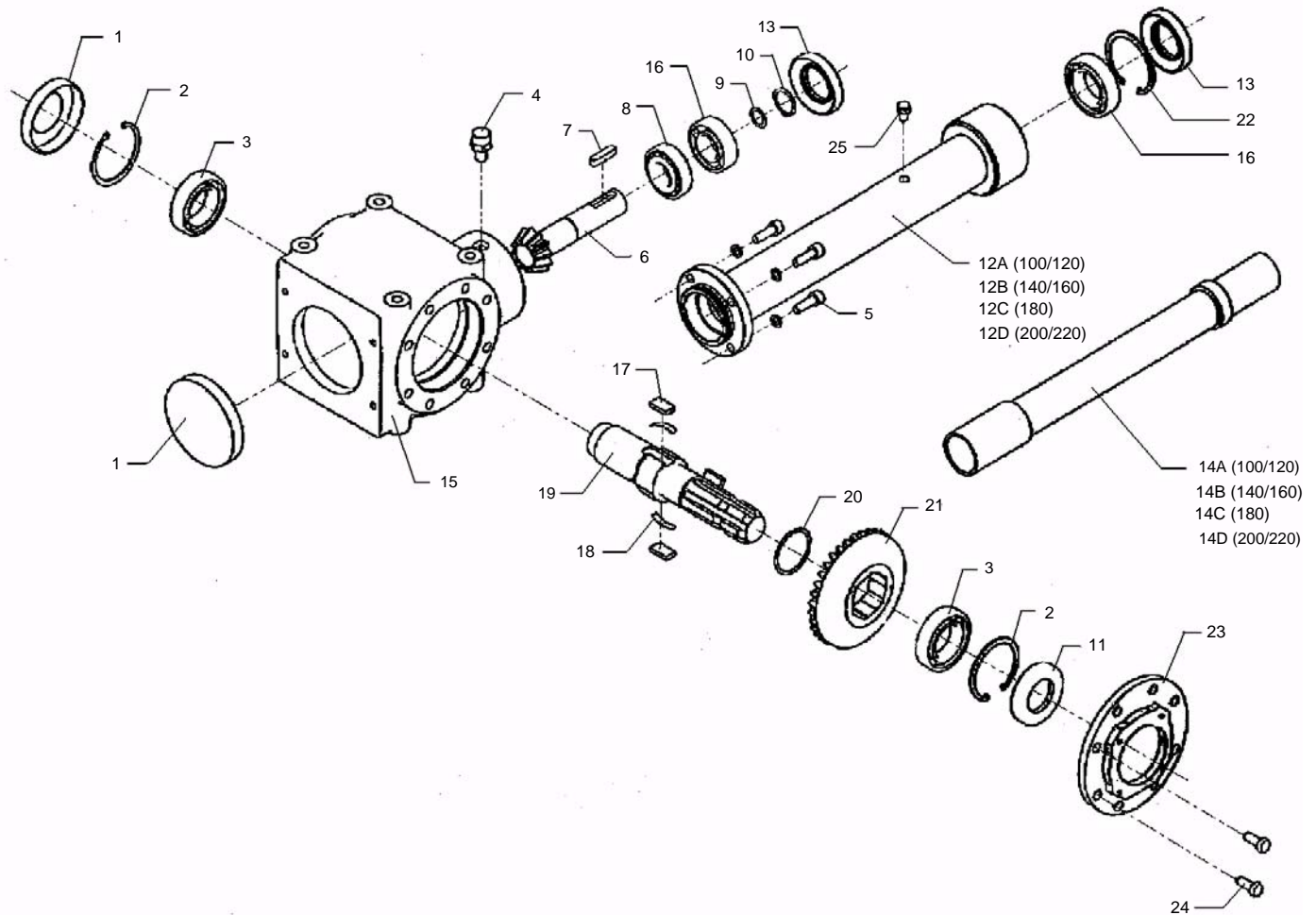


Telaio
Frame
Chassis
Rahmen

Drawing Code: **100963_0**

Accessories:

N°	Code	Old.	Descrizione /Description	GB	FR	D	E
1	M80A00125	C00137	VITE TE 88 PG FT M10X60 ZINC UNI 5739	SCREW	VIS	SCHRAUBE	TORNILLO
2	M90A00007	C03004	RONDELLA PIANA D.10,5 DIN125-A ZINC.	WASHER	RONDELLE	UNTERLEGSSCHEIBE	ARANDELLA
3	M85A00049	C02304	DADO METALBLOC M10	NUT	BOULONS	NUT	DADO
5	M80A00129	C00142	VITE TE 88 PG FT M12X30 ZINC UNI 5739	SCREW	VIS	SCHRAUBE	TORNILLO
6	M90A00035	C03105	RONDELLA GROWER D.12 DIN 127	WASHER	RONDELLE	UNTERLEGSSCHEIBE	ARANDELLA
7	C05A03298	330137	FLANGIA MOLT. TR30 04441/1 SP10MM	FLANGE	FLANC	FLANSCH	FLANGE
8	M90A00008	C03005	RONDELLA PIANA D.13 DIN125-A ZINC.	WASHER	RONDELLE	UNTERLEGSSCHEIBE	ARANDELLA
9	M85A00050	C02305	DADO METALBLOC M12 X 1.75	NUT	BOULONS	NUT	DADO
10	C20A01260	E06897	TUBO ESTERNO L=830mm CARDANO R80028	TUBE	TUBE	ROHR	TUBO
15	M80A00121	C00133	VITE TE 88 PG FT M10X35 ZINC UNI 5739	SCREW	VIS	SCHRAUBE	TORNILLO
17	M50A00019	R80213	CATENA 08B UNI 7484 L=2310	CHAIN	CHAINE	KETTE	CADENA
19	M80A00111	C00122	VITE TE 88 PG FT M8X25 ZINC UNI 5739	SCREW	VIS	SCHRAUBE	TORNILLO
21	M90A00003	C03002	RONDELLA PIANA D.6,4 DIN125-A ZINC.	WASHER	RONDELLE	UNTERLEGSSCHEIBE	ARANDELLA
23	M85A00077	C02604	DADO AUTOBLOC ALTO 8 M10 H=11.5 UNI 7473	NUT	BOULONS	NUT	DADO
24	M80A00046	C00053	VITE TE 88 PG FP M14X60 ZINC UNI 5737	SCREW	VIS	SCHRAUBE	TORNILLO
25	M20A00118		CUSCINETTO OR. RULLI 22308E 40X90X33	BEARING	ROULEMENT	KUGELLAGER	COJINETE
26	MA0A00012	C04037	SEEGER FORO D.90 UNI 7437	SEEGER	SEEGER	SEEGER	SEEGER
27	H00A00059	C10144	PARAOLIO BASL D.50X90X10	SEALING RING	JOINT SPI	OELABDICHTUNG	PARAOLIO
28	M35A00099		SUPPORTO ROTORE SINISTRO TL18/T20	SUPPORT	SUPPORT	STUTZE	APOYO
30	M85A00075	C02603	DADO AUTOBLOC ALTO 8 M8 H=10.6 UNI 7473	NUT	BOULONS	NUT	DADO
31	M85A00080	C02607	DADO AUTOBLOC ALTO 8 M16 H=18 UNI 7473	NUT	BOULONS	NUT	DADO
32	MK0A00210	P40059	MAZZA TRINCIA FORO=16.5 LARG=83.5 R=100 TL-18	HAMMER	MARTEAUX	HAMMERSCHLEGEL	MAZA/MARTILLO
33	M80A00046	C00053	VITE TE 88 PG FP M14X60 ZINC UNI 5737	SCREW	VIS	SCHRAUBE	TORNILLO
34	MK0A00216	P40067	COLTELLO TL18 D16.5 L84 R=100	BLADE	COUTEAU	MESSER	CUCHILLO
35	M80A00340	C00846	VITE TE 12.9 PG M16X92 FIL22 UNI 5737	SCREW	VIS	SCHRAUBE	TORNILLO
37	M80A00130	C00143	VITE TE 88 PG FT M12X35 ZINC UNI 5739	SCREW	VIS	SCHRAUBE	TORNILLO
39	M30A00020	C23063	SUPPORTO UCFL 207	SUPPORT	SUPPORT	STUTZE	APOYO
41	C20A02999		FIANCO DESTRO SUPPORTO RULLO T20/TL18	SIDE	LONG	NEBEN	JUNTO
42	C20A03000		FIANCO SINISTRO SUPPORTO RULLO T20/TL18	SIDE	LONG	NEBEN	JUNTO
45	M80A00118	C00131	VITE TE 88 PG FT M10X25 ZINC UNI 5739	SCREW	VIS	SCHRAUBE	TORNILLO
47	M35A00098		SUPPORTO ROTORE DESTRO TL18/T20	SUPPORT	SUPPORT	STUTZE	APOYO
48	M90A00010	C03007	RONDELLA PIANA D.17 DIN125-A ZINC.	WASHER	RONDELLE	UNTERLEGSSCHEIBE	ARANDELLA
51	MB5A00009	C04822	COPPIGLIA D.4X32 UNI 1336	COTTER PIN	GOUPILLE	SPLINT	COPPIGLIA
52	M85A00012	C02057	DADO ALTO 8 PF M16X1,5 UNI 5587	NUT	BOULONS	NUT	DADO
53	M90A00048	C03157	RONDELLA GROWER RINF. D.16 ASA B27 ZINCO-LAMELLARE	WASHER	RONDELLE	UNTERLEGSSCHEIBE	ARANDELLA
55	M85A00051	C02306	DADO METALBLOC M14 (SOST. DA C02606)	NUT	BOULONS	NUT	DADO
56	M90A00009	C03006	RONDELLA PIANA D.15 DIN125-A ZINC.	WASHER	RONDELLE	UNTERLEGSSCHEIBE	ARANDELLA
59	M80A00282	C00629	VITE TSPEI 10.9 PG M8X20 ZINC UNI5933	SCREW	VIS	SCHRAUBE	TORNILLO
60	M85A00017	C02071	DADO ALTO 10 PG M14 5587	NUT	BOULONS	NUT	DADO
62	M80A00111	C00122	VITE TE 88 PG FT M8X25 ZINC UNI 5739	SCREW	VIS	SCHRAUBE	TORNILLO
64	M85A00005	C02006	DADO ALTO 8 PG M14 UNI 5587	NUT	BOULONS	NUT	DADO
66	M80A00284	C00631	VITE TSPEI 10.9 PG M10X30 ZINC UNI 5933	SCREW	VIS	SCHRAUBE	TORNILLO
67	MJ5A00003	C41103	INGRASSATORE M8X1.25 DRITTO ESAGONO 11.	GREASE NIPPLE	GRAISSOR	FETTBUCHSE	ENGRASADOR
69	M80A00290	C00642	VITE TSPEI 10.9 PG M12X30 UNI 5933	SCREW	VIS	SCHRAUBE	TORNILLO
71	M80A00110	C00121	VITE TE 88 PG FT M8X20 ZINC UNI 5739	SCREW	VIS	SCHRAUBE	TORNILLO



100964_00



Moltiplicatore

Overgear

Multiplicateur

Übersetzen

Drawing Code:

100964_0

Accessories:

N°	Code	Old.	Descrizione /Description
1	H00A00087	C10321	CAPPELOTTO D.80X10
2	MA0A00010	C04035	SEEGER FORO D.80 UNI 7437
3	M20A00045	C21216	CUSCINETTO 6307 35X80X21
4	H65A00003	C41231	TAPPO SFIATO 3/8 GAS (30/A) LABIRINTO
5	M80A00243	C00430	VITE TCEI PG M10X25 ZINC UNI 5931
6	M80A00118	C00131	VITE TE 88 PG FT M10X25 ZINC UNI 5739
7	C05A03298	330137	FLANGIA MOLT. TR30 04441/1 SP10MM
8	M20A00059	C21407	CUSCINETTO 30207 35X72X18,25 J2
9	M15A00036	D03051	PERNO D.28X194 UT. 2 FORI D.10 ZINC***
10	MA0A00053	C04166	SEEGER ALBERO D.35X2.5 UNI 7436
11	H00A00045	C10119	PARAOLIO BASL D.35X80X10
13	H00A00044	C10118	PARAOLIO BASL D.35X72X10
15	M80A00121	C00133	VITE TE 88 PG FT M10X35 ZINC UNI 5739
16	M20A00024	C21116	CUSCINETTO 6207 35x72x17
17	M50A00019	R80213	CATENA 08B UNI 7484 L=2310
19	M80A00111	C00122	VITE TE 88 PG FT M8X25 ZINC UNI 5739
20	MA0A00048	C04161	SEEGER ALBERO D.42 UNI 7435
21	M90A00003	C03002	RONDELLA PIANA D.6,4 DIN125-A ZINC.
22	MA0A00008	C04033	SEEGER FORO D.72 UNI 7437
23	M85A00077	C02604	DADO AUTOBLOC ALTO 8 M10 H=11.5 UNI 7473
24	M80A00117	C00130	VITE TE 88 PG FT M10X20 ZINC UNI 5739
25	H45A00013	C41220	TAPPO CARICO 3/8

GB	FR	D	E
PLASTIC GUARD	BACHE	KUNSTSTOFF-DECKEL	SOMBRERETE
SEEGER	SEEGER	SEEGER	SEEGER
BEARING	ROULEMENT	KUGELLAGER	COJINETE
PLUG	BOUCHON	STOEPSSEL	ENCHUFE
SCREW	VIS	SCHRAUBE	TORNILLO
SCREW	VIS	SCHRAUBE	TORNILLO
FLANGE	FLANC	FLANSCH	FLANGE
BEARING	ROULEMENT	KUGELLAGER	COJINETE
PIN	PIVOT	STIFT	PIN
SEEGER	SEEGER	SEEGER	SEEGER
SEALING RING	JOINT SPI	OELABDICHTUNG	PARAOLIO
SEALING RING	JOINT SPI	OELABDICHTUNG	PARAOLIO
SCREW	VIS	SCHRAUBE	TORNILLO
BEARING	ROULEMENT	KUGELLAGER	COJINETE
CHAIN	CHAINE	KETTE	CADENA
SCREW	VIS	SCHRAUBE	TORNILLO
SEEGER	SEEGER	SEEGER	SEEGER
WASHER	RONDELLE	UNTERLEGSCHIEBE	ARANDELLA
SEEGER	SEEGER	SEEGER	SEEGER
NUT	BOULONS	NUT	DADO
SCREW	VIS	SCHRAUBE	TORNILLO
PLUG	BOUCHON	STOEPSSEL	ENCHUFE