

Trincia

T10



ALPEGO s.p.a.

Sede Amministrativa:

Via Torri di Confine, 6 36053 GAMBELLARA (VICENZA) - ITALY

Sede Legale:

Via Giovanni e Giuseppe Cenzato, 9 36045 LONIGO (VICENZA) - ITALY

Capitale sociale €2.000.000 i.v.

Cod. Fisc. / Part. IVA IT02009840246

R.E.A. 199795/VI/1996

Reg. Imp.VI N° 22374/VI/1996

N. Mecc. VI 011754

www.alpego.com

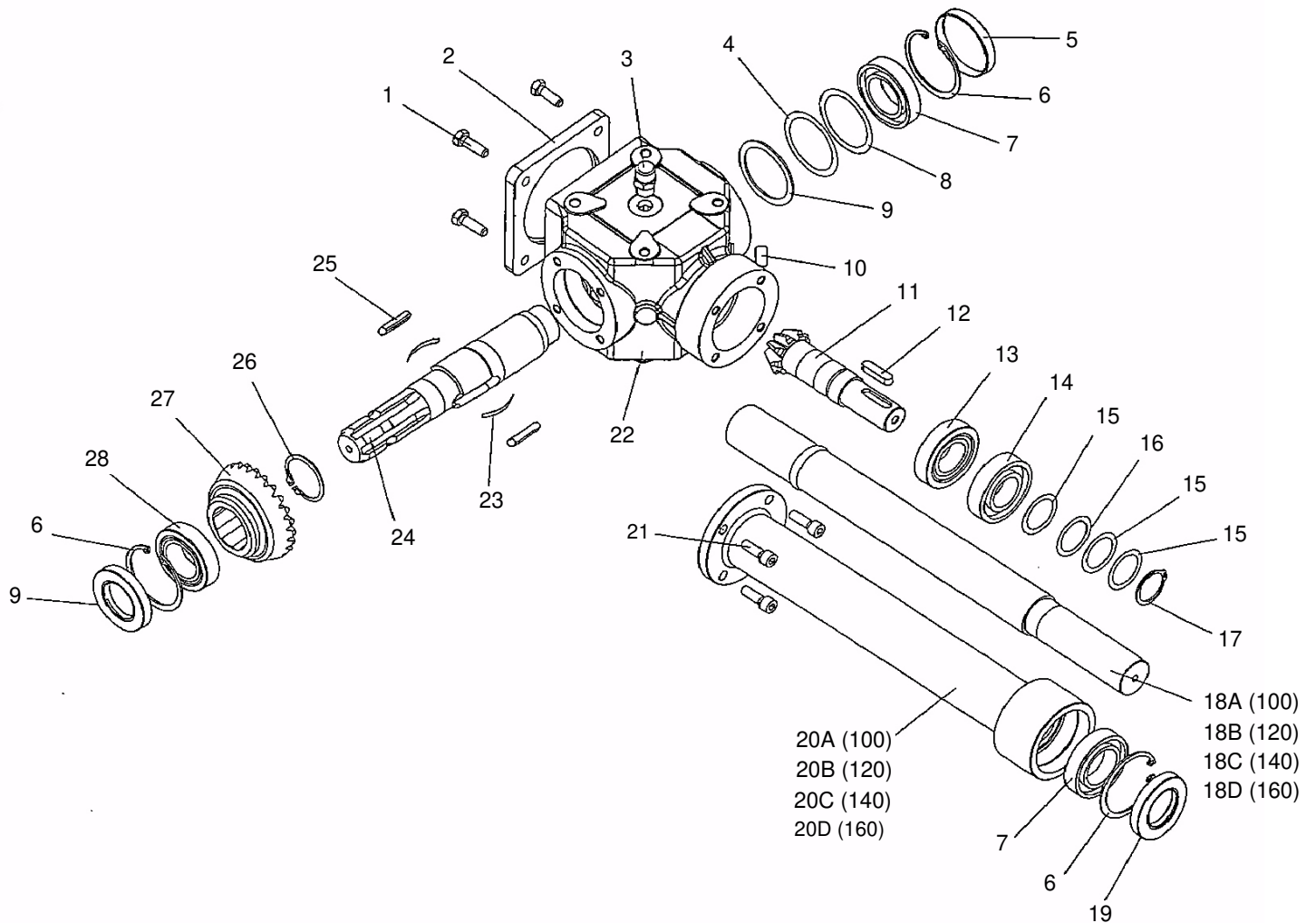
Tel +39 0444/64.61.00

Fax +39 0444/64.61.99

e-mail: info@alpego.com

Copyright © 2009 Alpego s.p.a. ®

Tutti i diritti sono riservati. È vietata espressamente la ristampa o l'uso non autorizzato senza permesso scritto dalla Alpego s.p.a.
Tous droits réservés. Toute réimpression ou utilisation non autorisée sans la permission écrite de la Alpego s.p.a. est formellement interdite.
Alle Rechte vorbehalten. Nachdruck, Vervielfältigung und Verbreitung, auch auszugsweise, ist ohne schriftliche Genehmigung der Alpego s.p.a.
All rights reserved. Any reprinting or unauthorized use without the written permission of Alpego s.p.a. is expressly prohibited.
Todos los derechos reservados. Toda reproducción o uso no autorizado sin el consentimiento escrito de Alpego s.p.a. quedan expresamente prohibidos.



100960_00



Moltiplicatore

Overgear

Moltiplicatore

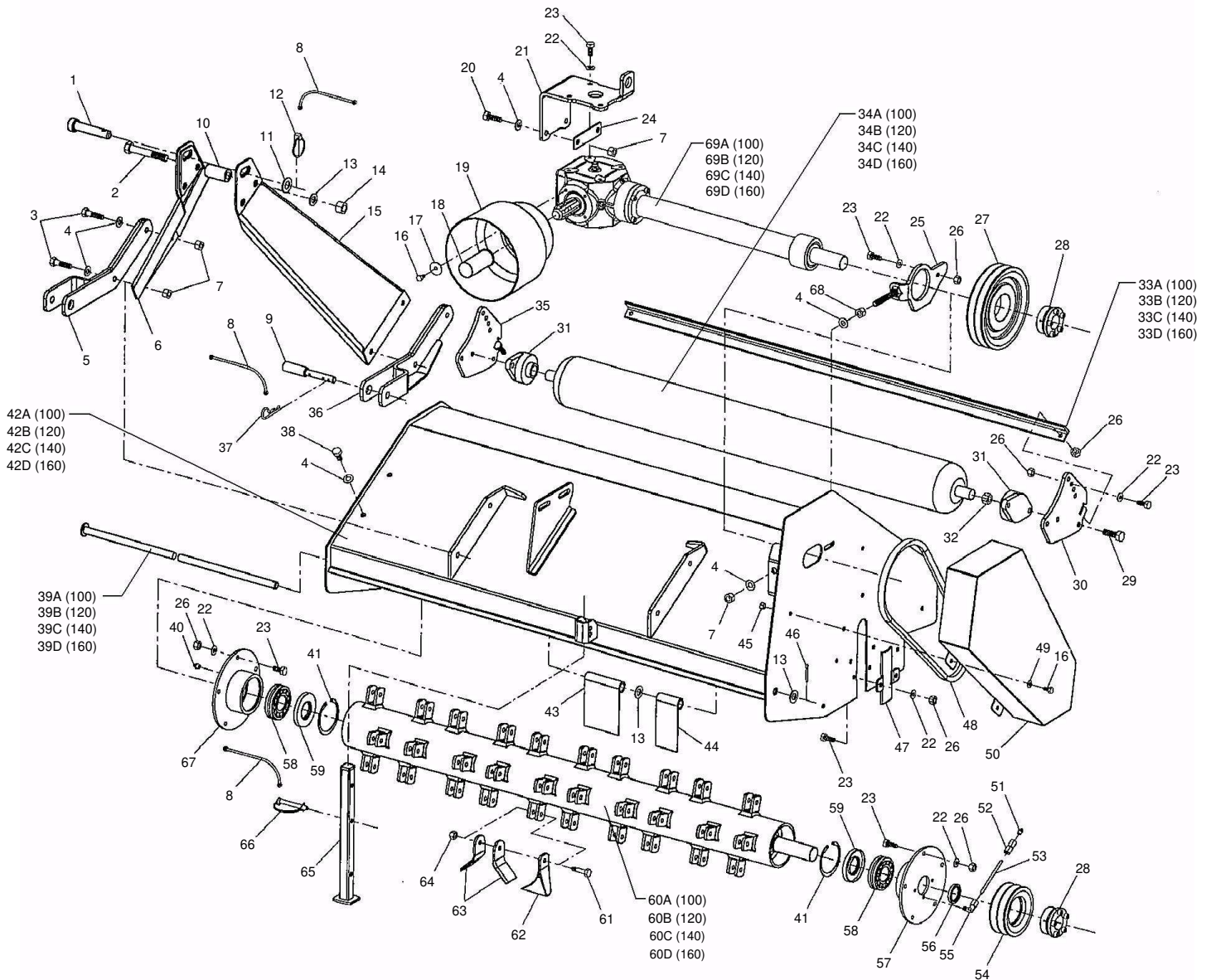
Moltiplicatore

Drawing Code:

100960_0

Accessories:

N°	Code	Old.	Descrizione / Description	GB	FR	D	E
1	M80A00111	C00122	VITE TE 88 PG FT M8X25 ZINC UNI 5739	SCREW	VIS	SCHRAUBE	TORNILLO
6	MA0A00006	C04031	SEEGER FORO D.62 UNI 7437	SEEGER	SEEGER	SEEGER	SEEGER
7	M20A00009	C21016	CUSCINETTO 6007 35x62x14	BEARING	ROULEMENT	KUGELLAGER	COJINETE
11	M40A00159		PIGNONE CONICO Z=9 T10 M20	PINION	PIGNON	RITZEL	PIÑON
12	MC0A00023		LINGUETTA 8X7X32 UNI 6604A	TONGUE	CLAVETTE	ZUNGE	LENGUA
13	M20A00058	C21406	CUSCINETTO 30206 30X62X17,25	BEARING	ROULEMENT	KUGELLAGER	COJINETE
14	M20A00021	C21112	CUSCINETTO 6206 30X62X16	BEARING	ROULEMENT	KUGELLAGER	COJINETE
19	H00A00043	C10117	PARAOLIO BASL D.35X62X10 (POLIACR.)	SEALING RING	JOINT SPI	OELABDICHTUNG	PARAOLIO
21	M80A00236	C00421	VITE TCEI PG M8X25 ZINC UNI 5931	SCREW	VIS	SCHRAUBE	TORNILLO
23	MF5A00095		MOLLA PER RUOTA LIBERA T10 M20	SPRING	RESSORT	FEDER	MUELLE
25	C15A01140		NOTTOLINO PER RUOTA LIBERA T10 M20				
26	MA0A00048	C04161	SEEGER ALBERO D.42 UNI 7435	SEEGER	SEEGER	SEEGER	SEEGER
27	M40A00160		CORONA CONICA T10 M20	CROWN	COURONNE	KRONE	CORONA
28	M20A00053	C21307	CUSCINETTO 32007 X 35X62X18	BEARING	ROULEMENT	KUGELLAGER	COJINETE





Telaio
Frame
Telaio
Telaio

Drawing Code: **100961_0**

Accessories:

N°	Code	Old.	Descrizione / Description	GB	FR	D	E
2	M80A00187	C00238	VITE TE 88 PF FP M16X1,5X100 ZINC UNI 57	SCREW	VIS	SCHRAUBE	TORNILLO
3	M80A00028	C00031	VITE TE 88 PG FP M12X45 ZINC UNI 5737	SCREW	VIS	SCHRAUBE	TORNILLO
4	M90A00008	C03005	RONDELLA PIANA D.13 DIN125-A ZINC.	WASHER	RONDELLE	UNTERLEGSCHIEBE	ARANDELLA
7	M85A00078	C02605	DADO AUTOBLOC ALTO 8 M12 H=14 UNI 7473	NUT	BOULONS	NUT	DADO
8	M79A00002	C50650	GOMMINO CON ANELLI L.240 MM.	RUBBER	CAOUTCHOUC	BELAG	GOMAS
11	M90A00011	C03008	RONDELLA PIANA D.21 DIN125-A ZINC.	WASHER	RONDELLE	UNTERLEGSCHIEBE	ARANDELLA
12	MB0A00094	C05053	SPINA A SCATTO D.10	SOCKET	GOUPILLE	STECKER	PASADOR
13	M90A00010	C03007	RONDELLA PIANA D.17 DIN125-A ZINC.	WASHER	RONDELLE	UNTERLEGSCHIEBE	ARANDELLA
14	M85A00054	C02357	DADO METALBLOC M16X1,5	NUT	BOULONS	NUT	DADO
16	M80A00109	C00120	VITE TE 88 PG FT M8X16 ZINC UNI 5739	SCREW	VIS	SCHRAUBE	TORNILLO
17	M90A00027	C03052	RONDELLA PIANA d9xD32x2 UNI 6593 ZINC.	WASHER	RONDELLE	UNTERLEGSCHIEBE	ARANDELLA
20	M80A00130	C00143	VITE TE 88 PG FT M12X35 ZINC UNI 5739	SCREW	VIS	SCHRAUBE	TORNILLO
22	M90A00007	C03004	RONDELLA PIANA D.10,5 DIN125-A ZINC.	WASHER	RONDELLE	UNTERLEGSCHIEBE	ARANDELLA
23	M80A00118	C00131	VITE TE 88 PG FT M10X25 ZINC UNI 5739	SCREW	VIS	SCHRAUBE	TORNILLO
26	M85A00049	C02304	DADO METALBLOC M10	NUT	BOULONS	NUT	DADO
29	M80A00138	C00153	VITE TE 88 PG FT M14X40 ZINC UNI 5739	SCREW	VIS	SCHRAUBE	TORNILLO
30	C20A03988		SUPPORTO RULLO SIN T10	SUPPORT	SUPPORT	STUTZE	APOYO
31	M30A00018	C23061	SUPPORTO UCFL 205	SUPPORT	SUPPORT	STUTZE	APOYO
32	M85A00079	C02606	DADO AUTOBLOC ALTO 8 M14 H=16 UNI 7473	NUT	BOULONS	NUT	DADO
35	C20A03989		SUPPORTO RULLO DES T10	SUPPORT	SUPPORT	STUTZE	APOYO
37	MB0A00087	C05004	SPINA A MOLLA D.4	SOCKET	GOUPILLE	STECKER	PASADOR
38	M80A00128	C00141	VITE TE 88 PG FT M12X25 ZINC UNI 5739	SCREW	VIS	SCHRAUBE	TORNILLO
40	MJ5A00003	C41103	INGRASSATORE M8X1.25 DRITTO ESAGONO 11.	GREASE NIPPLE	GRAISSOR	FETTBUECHSE	ENGRASADOR
41	MA0A00010	C04035	SEEGER FORO D.80 UNI 7437	SEEGER	SEEGER	SEEGER	SEEGER
46	MB5A00009	C04822	COPPIGLIA D.4X32 UNI 1336	COTTER PIN	GOUPILLE	SPLINT	COPPIGLIA
48							
49	M90A00005	C03003	RONDELLA PIANA D.8,4 DIN125-A ZINC.	WASHER	RONDELLE	UNTERLEGSCHIEBE	ARANDELLA
51	MJ5A00005	C41105	INGRASSATORE M10X1 DIRITTO	GREASE NIPPLE	GRAISSOR	FETTBUECHSE	ENGRASADOR
59	H00A00012	C10026	PARAOLIO BA D.40X80X10	SEALING RING	JOINT SPI	OELABDICHTUNG	PARAOLIO
61	M80A00418	C00805	VITE TE 10.9 M10X1.25X40 FIL13	SCREW	VIS	SCHRAUBE	TORNILLO
62	MK0A00224	P40117	MAZZA TRINCIA T10	HAMMER	MARTEAUX	HAMMERSCHLEGEL	MAZA/MARTILLO
63	MK0A00275	P40118	COLTELLO TRINCIA T10	BLADE	COUTEAU	MESSER	CUCHILLO
64	M85A00116	C02353	DADO METALBLOC M10X1,25	NUT	BOULONS	NUT	DADO
66	MB0A00101	C05080	SPINOTTO PER MOTOZAPPA D.10X60 UTILE	PIN	GOUPILLE	STIFT	PASADOR
68	M85A00004	C02005	DADO ALTO 8 PG M12 UNI 5587	NUT	BOULONS	NUT	DADO
69D	M65A00220		MOLTIPLICATORE COMPLETO CON PROLUNGA T10-160	MULTIPLIER	MULTIPLICATEUR	UEBERSETZUNGSGETRIEBE	MULTIPLICADOR