


TELAIO

CHASSIS RAHMEN FRAME

ISXL

910

RIF.	CODICE	QT.	SIGLA	DENOMINAZIONE	FR.	D.	GB.	RIF.	CODICE	QT.	SIGLA	DENOMINAZIONE	FR.	D.	GB.
1	103.040.086	5	M12	autob. basso	Eccrou bas	Mutter	Locknut	40	103.100.006	5	diam. 8 piena	Rondella	Rondelle	Schraube	Washer
2	103.100.010	7	diam. 12 piena	Rondella	Rondelle	Schraube	Washer	41	103.150.084	1	M12x70z tutto file	Vite	Vis	Schraube	Boit
3	350.470.029	1	ISXL-ISL-IS-ISR	Molla x gancio cardano	Ressort	Feder	Spinn	42	450.570.012	1	ISXL	Slittino	Glissiere	Schlitten	Skid
4	420.610.104	1	ISXL-ISL-IS-ISR	Gancio timone	Crochet	Haken	Hook	43	350.402.207.01	1	ISXL	lamiera litomone dx	Allegage	3Punkt	3rd point
5	450.610.111	1	ZB-ZV-ISXL	Supporto x gancio	Support.	Haft.	Support	44	101.020.003	1	R 4 mm.	Coppiglia	Couplille	Spinn	Silt pin
6	103.040.070	5	M14	autob. basso	Eccrou	Mutter	Locknut	45	350.220.019	2	ISXL	Registro livellatrice	Registre	Haft.	Adjusting shd.
7	103.150.081	1	M12x60 z.	Vite	Vis	Schraube	Bolt	46	350.620.102	1	ISXL	Protezz griglia mt.085	Protection	Schutz	Protection
8	103.100.012	5	diam. 14 piena	Rondella	Rondelle	Schraube	Washer	46	350.620.103	1	ISXL	Protezz griglia mt.105	Protection	Schutz	Protection
9	103.150.098	3	M14x35 z.	Vite	Vis	Schraube	Bolt	46	350.620.104	1	ISXL	Protezz griglia mt.115	Protection	Schutz	Protection
10	350.860.029	1	ZB-ZV-ISXL	Rinforzo orizzontale	Renforcement	Verstaerkung	Reinforcement	46	350.820.105	1	ISXL	Protezz griglia mt.135	Protection	Schutz	Protection
11	103.150.090	1	M12x90 z.	Vite	Vis	Schraube	Bolt	46	350.620.106	1	ISXL	Protezz griglia mt.145	Protection	Schutz	Protection
12	103.140.074	14	M12x35x1,25	Vite	Vis	Schraube	Bolt	46	350.620.107	1	ISXL	Coperchio livel mt.085	Couvercle	Deckel	Cover
13	350.770.022	2	ZB-ZV-ISXL	Staffa riduttore	Support.	Haft.	Support	47	350.150.131	1	ISXL	Coperchio livel mt.105	Couvercle	Deckel	Cover
14	450.642.127	1	ISXL	Supp. tubo riduttore dx	Rondelle	Schraube	Washer	47	350.150.132	1	ISXL	Coperchio livel mt.125	Couvercle	Deckel	Cover
15	103.100.026	14	diam. 12 grower	Rondella	Nut	Mutter	Nut	47	350.150.133	1	ISXL	Coperchio livel mt.135	Couvercle	Deckel	Cover
16	103.040.024	14	M12x1,25	Dado	Pin	Zapfen	Pin	47	350.150.134	1	ISXL	Coperchio livel mt.155	Couvercle	Deckel	Cover
17	410.410.002	4	diam. 22	Perno	Chassis	Rahmen	Frame	48	350.620.107	1	ISXL	Cerniera	Chantiere	Scharniere	Hinge
18	450.690.193	18	450.690.193	Telaio mt. 0,85	Chassis	Rahmen	Frame	48	350.620.107	1	ISXL	Cerniera	Chantiere	Scharniere	Hinge
19	450.650.185	1	ISXL	Telaio mt. 1,15	Chassis	Rahmen	Frame	47	350.150.131	1	ISXL	Coperchio livel mt.105	Couvercle	Deckel	Cover
20	450.650.185	1	ISXL	Telaio mt. 1,25	Chassis	Rahmen	Frame	47	350.150.132	1	ISXL	Coperchio livel mt.115	Couvercle	Deckel	Cover
21	450.650.186	1	ISXL	Telaio mt. 1,35	Chassis	Rahmen	Frame	47	350.150.133	1	ISXL	Coperchio livel mt.125	Couvercle	Deckel	Cover
22	450.650.187	1	ISXL	Telaio mt. 1,45	Chassis	Rahmen	Frame	47	350.150.134	1	ISXL	Coperchio livel mt.135	Couvercle	Deckel	Cover
23	350.572.084.01	1	ISXL	Piastra laterale dx	Plaque	Schraube	Bolt	47	350.150.135	1	ISXL	Coperchio livel mt.145	Couvercle	Deckel	Cover
24	103.140.095	3	M14x35x1,5	Vite	Vis	Schraube	Bolt	48	101.150.001	2	ISXL-ISL-IS-ISR	Cerniera	Chantiere	Scharniere	Hinge
25	103.150.011	4	M8x25 z.	Vite	Vis	Schraube	Bolt	48	101.150.001	2	ISXL-ISL-IS-ISR	Cerniera	Chantiere	Scharniere	Hinge
26	103.040.068	1	M12	Dado	Eccrou	Mutter	Nut	48	101.150.001	2	ISXL-ISL-IS-ISR	Cerniera	Chantiere	Scharniere	Hinge
27	103.040.068	1	M12	Dado	Eccrou	Mutter	Nut	48	101.150.001	2	ISXL-ISL-IS-ISR	Cerniera	Chantiere	Scharniere	Hinge
28	350.404.207.01	1	ISXL	Lamiera timone sx	Support.	Haft.	Support	48	101.150.001	2	ISXL-ISL-IS-ISR	Cerniera	Chantiere	Scharniere	Hinge
29	450.614.127	1	ISXL	Supp. tubo riduttore sx	Support.	Haft.	Support	48	101.150.001	2	ISXL-ISL-IS-ISR	Cerniera	Chantiere	Scharniere	Hinge
30	450.040.043	2	ISXL	Attacco sollevatore	Attache	Verbindung	Linkage	48	101.150.001	2	ISXL-ISL-IS-ISR	Cerniera	Chantiere	Scharniere	Hinge
31	103.040.004	4	M8 basso	Dado	Eccrou	Mutter	Nut	48	101.150.001	2	ISXL-ISL-IS-ISR	Cerniera	Chantiere	Scharniere	Hinge
32	103.040.027	2	ISXL	Perno fermo prot. griglia	Eccrou	Mutter	Nut	48	101.150.001	2	ISXL-ISL-IS-ISR	Cerniera	Chantiere	Scharniere	Hinge
33	350.040.001	1	ZB-ZV-ISXL	Asia mt. 0,85	Grille	Grille	Grill	48	101.150.001	2	ISXL-ISL-IS-ISR	Cerniera	Chantiere	Scharniere	Hinge
34	350.040.002	1	ZB-ZV-ISXL	Asia mt. 1,05	Grille	Grille	Grill	48	101.150.001	2	ISXL-ISL-IS-ISR	Cerniera	Chantiere	Scharniere	Hinge
35	350.040.042	1	ZB-ZV-ISXL	Asia mt. 1,15	Grille	Grille	Grill	48	101.150.001	2	ISXL-ISL-IS-ISR	Cerniera	Chantiere	Scharniere	Hinge
36	350.040.004	1	ZB-ZV-ISXL	Asia mt. 1,25	Grille	Grille	Grill	48	101.150.001	2	ISXL-ISL-IS-ISR	Cerniera	Chantiere	Scharniere	Hinge
37	350.040.005	1	ZB-ZV-ISXL	Asia mt. 1,35	Grille	Grille	Grill	48	101.150.001	2	ISXL-ISL-IS-ISR	Cerniera	Chantiere	Scharniere	Hinge
38	103.150.085	2	M12x70	Vite	Vis	Mutter	Bolt	48	101.150.001	2	ISXL-ISL-IS-ISR	Cerniera	Chantiere	Scharniere	Hinge
39	103.830.014	3	ISXL-ISL-IS-ISR	Trafilo x griglia	Dents	Messer	Knife	48	101.150.001	2	ISXL-ISL-IS-ISR	Cerniera	Chantiere	Scharniere	Hinge
40	103.040.067	3	M10x1,25 metalbi	Dado	Eccrou	Mutter	Nut	48	101.150.001	2	ISXL-ISL-IS-ISR	Cerniera	Chantiere	Scharniere	Hinge
41	350.580.202	1	ISXL	Piatto fermo griglia	Plat	Platte	Plate	48	101.150.001	2	ISXL-ISL-IS-ISR	Cerniera	Chantiere	Scharniere	Hinge
42	450.280.015	1	ISXL	Griglia mt. 0,85	Grille	Grille	Grill	48	101.150.001	2	ISXL-ISL-IS-ISR	Cerniera	Chantiere	Scharniere	Hinge
43	450.280.016	1	ISXL	Griglia mt. 1,05	Grille	Grille	Grill	48	101.150.001	2	ISXL-ISL-IS-ISR	Cerniera	Chantiere	Scharniere	Hinge
44	450.280.018	1	ISXL	Griglia mt. 1,15	Grille	Grille	Grill	48	101.150.001	2	ISXL-ISL-IS-ISR	Cerniera	Chantiere	Scharniere	Hinge
45	450.280.019	1	ISXL	Griglia mt. 1,25	Grille	Grille	Grill	48	101.150.001	2	ISXL-ISL-IS-ISR	Cerniera	Chantiere	Scharniere	Hinge
46	450.280.019	1	ISXL	Griglia mt. 1,35	Grille	Grille	Grill	48	101.150.001	2	ISXL-ISL-IS-ISR	Cerniera	Chantiere	Scharniere	Hinge
47	450.280.009.05	1	ISXL	Griglia mt. 1,45	Grille	Grille	Grill	48	101.150.001	2	ISXL-ISL-IS-ISR	Cerniera	Chantiere	Scharniere	Hinge
48	350.470.030	1	ISXL-ISL-IS-ISR	Molla x griglia	Ressort	Feder	Spring	48	101.150.001	2	ISXL-ISL-IS-ISR	Cerniera	Chantiere	Scharniere	Hinge
49	350.574.085.01	1	ISXL	Piastra laterale sx	Piaque	Platte	Side plate	48	101.150.001	2	ISXL-ISL-IS-ISR	Cerniera	Chantiere	Scharniere	Hinge
50	350.580.283	1	ISXL-ISL-IS-ISR	Piatto tirante molla	Plat	Platte	Plate spring	48	101.150.001	2	ISXL-ISL-IS-ISR	Cerniera	Chantiere	Scharniere	Hinge
51	103.150.072	2	M12x35 z.	Vite	Vis	Schraube	Bolt	48	101.150.001	2	ISXL-ISL-IS-ISR	Cerniera	Chantiere	Scharniere	Hinge



ISXL

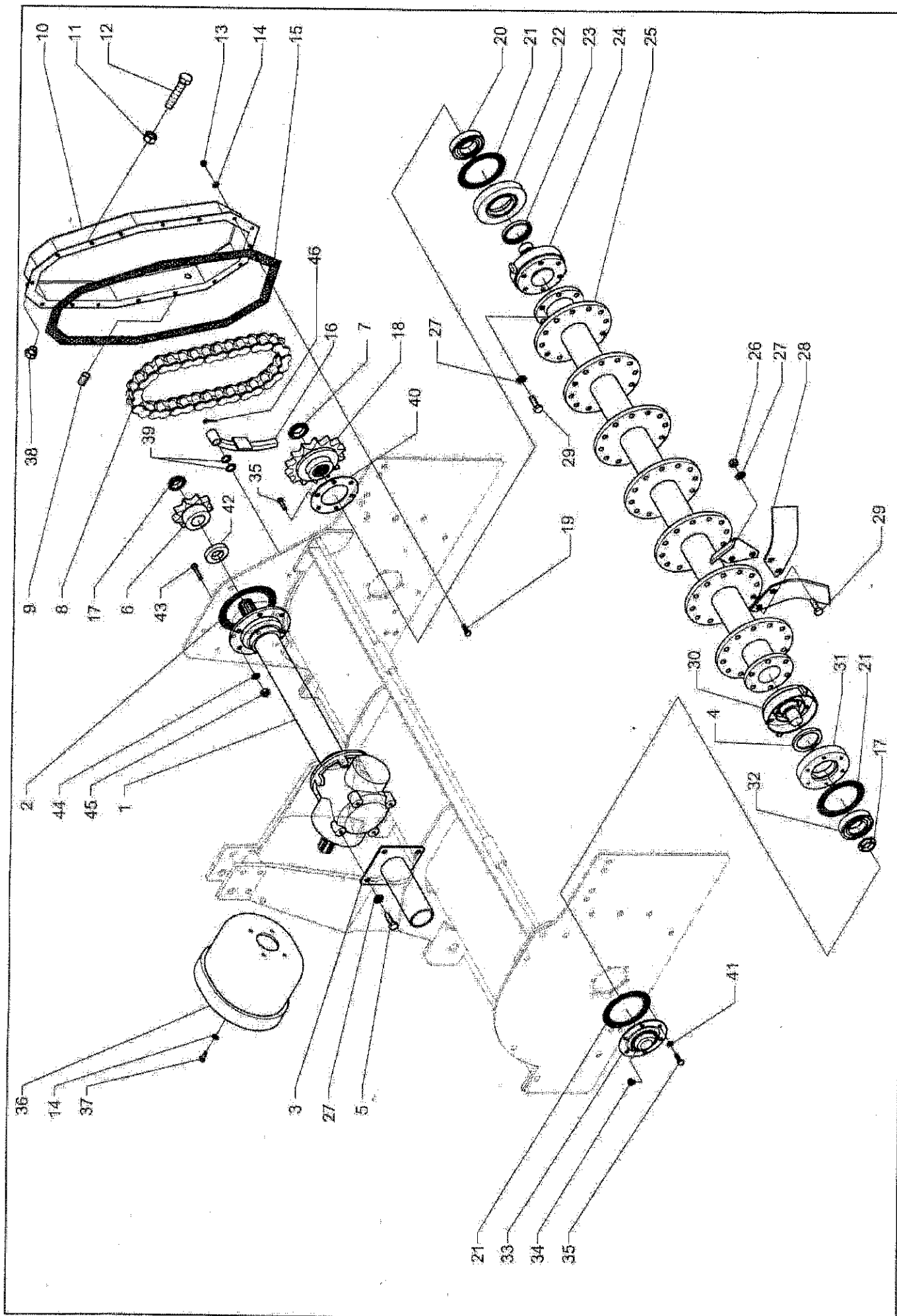
TELAIO

910

CHASSIS

RAHMEN

FRAME




TRAMMISSIONE TRANSMISSION

ISXL

911

REF.	CODICE	QT	SIGLA	DENOMINAZIONE	F	D	GB
1	112.060.012	1	TLZ21A LP 400	Riduttore	Reducteur	Getriebe	Gearbox
1	112.060.013	1	TLZ21A LP 500	Riduttore	Reducteur	Getriebe	Gearbox
1	112.060.014	1	TLZ21A LP 600	Riduttore	Reducteur	Getriebe	Gearbox
1	112.060.015	1	TLZ21A LP 700	Riduttore	Reducteur	Getriebe	Gearbox
2	350.330.016	1	ZB-ZV-ISXL	guarnizione	Guarniture	Dichtung	Gasket
3	450.440.042	1	ISXL	prolunga ridutt. dx	Tube	Rotor	Support
4	108.040.002	1	60/45-7	Paracolo	Para-huile	Oelabdeckung	Oilseal
5	103.150.069	4	M12x25 Z.	Vite	Vis	Schraube	Bolt
6	950.800.012	1	Z 9 ASA 100	Pignone	Pinion	Ritzel	Sprocket
7	103.050.008	1	M35x1,5 autob.	Grilera	Collier	Muttlr	Lockbush
8	112.020.063	1	ASA 100HE 34P.C.	Catena	Chaîne	Kette	Chain
9	103.120.002	1	M10x1,5	Tappo cernico	Bouchon	Pfropfen	Oil plug
10	450.170.001	1	ZV-ISXL	Coperchio catena	Couvercle	Kettendeckel	Chainskid slid
11	103.040.042	1	M18	dado	Ecran	Muttlr	Nut
12	450.486.001	1	ZB-ZV-ZM-ISXL	Registro tendic.	Registre	Kettentregler	Adjusting chainkid
13	103.040.064	16	M8 clock	Dado	Ecran	Muttlr	Nut
14	103.100.008	20	piana diam. 8 Z.	Rondella	Rondelle	Scheibe	Washer
15	350.330.006	1	ZV-ISXL	Guarnizione	Guarniture	Dichtung	Chaincase gasket
16	450.660.006	1	ZB-ZV-ISXL	tendicatena	Tendeur chaîne	Kettenspanner	Shrainskid
17	103.050.004	2	M30x1,5 autob.	Ghiera	Collier	Muttlr	Lockbush
18	350.600.014	1	Z 14 ASA 100	Pignone	Pinion	Ritzel	Sprocket
19	103.140.003	18	M8x25	Vite	Vis	Schraube	Bolt
20	104.010.007	1	6209	Cuscinello	Paillet	Lager	Bearing
21	350.330.011	3	ZV-ISXL	Guarnizione	Guarniture	Dichtung	Chainskid
22	350.250.014	1	ZB-ZV-ISXL	Support	Support	Flansch	Housing
23	103.040.004	1	65/60-8	Para-huile	Para-huile	Oelabdichtung	Oilseal
24	450.370.016	4	ZV-ISXL	Mozzo sx con parap.	Moyeu	Nabe	Rotor drive shaft
25	450.500.008	1	MT 0,85	Rotore a "U"	Rotor	Rotor	Rotor
26	450.500.009	1	MT 1,05	Rotore a "U"	Rotor	Rotor	Rotor
27	450.500.084	1	MT 1,15	Rotore a "U"	Rotor	Rotor	Rotor
28	450.500.011	1	MT 1,25	Rotore a "U"	Rotor	Rotor	Rotor
29	450.500.099	1	MT 1,35	Rotore a "U"	Rotor	Rotor	Rotor
30	450.500.012	1	MT 1,45	Rotore a "U"	Rotor	Rotor	Rotor
31	103.040.024	4	M12x1,25	Dado	Ecran	Muttlr	Nut
32	103.100.026	16	16 r/c crower diam. 12	Rondella	Rondelle	Scheibe	Washer
33	116.010.D.10	1	F 52	Zappra	Couteau	Messer	Blade
34	105.140.074	12	M12x35x1,25	Vite	Vis	Schraube	Bolt
35	450.370.017	1	ZV-ISXL	Mozzo dx con parap.	Moyeu	Nabe	Rotor drive shaft
36	350.250.015	1	ZB-ZV-ISXL	Flangia suppo dx	Support	Flansch	Housing
37	104.010.004	1	6306	Cuscinello	Paillet	Lager	Bearing
38	350.130.006	1	ZV-ISXL	Cappellotto	Couvercle	Kappte	Collar
39	103.090.002	1	M8x1	Ingrassatore	Graisneur	Fettschlesse	Grease nipple
40	103.140.021	12	M8x20	Vite	Vis	Schraube	Bolt
41	350.620.044	1	ZB-ZV-ISXL	Protezione cardano	Protection	Schutz	Protection
42	103.150.005	4	M8x16	Vite	Vis	Schraube	Bolt
43	320.000.001	1	ZV-ISXL	Tappo carter	Bouchon	Pfropfen	Plug
44	350.670.015	2	diam. 18	Rondella tendicatena	Rondelle	Scheibe	Washer
45	350.200.033	1	ZV-ISXL	Disco di battuta	Plat	Platte	Plate
46	103.100.021	12	setol. diam. 8	Rondella	Rondelle	Scheibe	Washer
47	350.210.028	1	55x40xpress 3,5	Distanziale	Entfretaise	Distanzstück	Spacer
48	103.140.055	6	M10x0x1,25	Vite	Vis	Schraube	Bolt
49	103.100.022	6	grower diam. 10	Rondella	Rondelle	Scheibe	Washer
50	103.040.016	6	M10x1,25 alto	Dado	Ecran	Muttlr	Nut
51	101.020.010	1	5x60	Coppiglia	Couplie	Splint	Silt pin

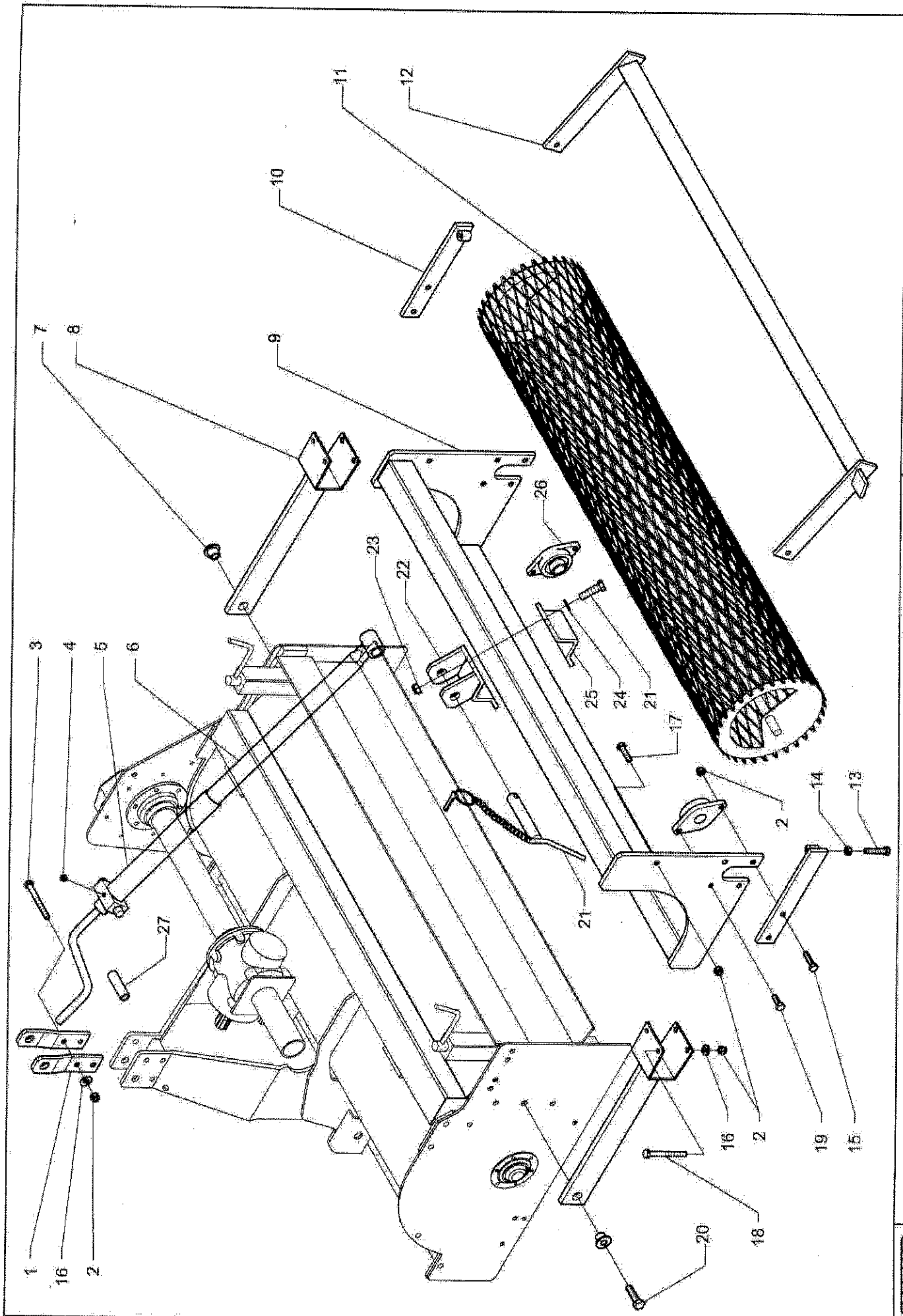


TRANSMISSIONE

TRANSMISSION

SEITLICHER ANTRIEB

911




RULLO A GRIGLIA

ROULEAU TIEFENWALZE ROLLER

ISXL

912

RIF.	CODICE	QT	SIGLA	DENOMINAZIONE	FR	D	GB
1	350.880.101	2	ISXL-ISL	Piatto attacco rullo	Plaque	Platte	Plate
2	103.040.068	12	M 12 autob.	Dado	Eccou	Mutter	Nut
3	103.150.093	2	M 12x110	Vite	Vis	Schraube	Bolt
4	103.050.002	2	IMEX1	Ingrassatore	Graisneur	Felibusche	Grease-needle
5	450.480.003	1	Rullo green	Registro rullo superiore	Support	Halter	Support
6	450.480.002	1	Rullo green	Registro rullo inferiore	Support	Halter	Support
7	350.090.099	2	Rullo green	Boccia braccio rullo	Douille	Busche	Bushing
8	450.090.091	2	Rullo green	Braccio rullo regolabile	Bras	Arm	Arm
9	450.090.064	1	Rullo green	Telaio supp.rullo mt.085	Chassis	Rahmen	Frame
9	450.090.065	1	Rullo green	Telaio supp.rullo mt.105	Chassis	Rahmen	Frame
9	450.090.066	1	Rullo green	Telaio supp.rullo mt.115	Chassis	Rahmen	Frame
9	450.090.067	1	Rullo green	Telaio supp.rullo mt.125	Chassis	Rahmen	Frame
9	450.090.068	1	Rullo green	Telaio supp.rullo mt.135	Chassis	Rahmen	Frame
9	450.090.069	1	Rullo green	Telaio supp.rullo mt.145	Chassis	Rahmen	Frame
10	450.510.163	2	Rullo green	Supporto regolazione rullo	Support	Halter	Support
11	450.510.066 ISXL	1	Rullo green	Rullo a griglia mt.105	Rouleau	Walzen	Roller
11	450.510.057 ISXL	1	Rullo green	Rullo a griglia mt.115	Rouleau	Walzen	Roller
11	450.510.056 ISXL	1	Rullo green	Rullo a griglia mt.125	Rouleau	Walzen	Roller
11	450.510.055 ISXL	1	Rullo green	Rullo a griglia mt.135-145	Rouleau	Walzen	Roller
12	450.090.070	1	Rullo green	Traverse pulisci rullo mt.085	Plaque	Platte	Plate
12	450.090.071	1	Rullo green	Traverse pulisci rullo mt.105	Plaque	Platte	Plate
12	450.090.072	1	Rullo green	Traverse pulisci rullo mt.115	Plaque	Platte	Plate
12	450.090.073	1	Rullo green	Traverse pulisci rullo mt.125	Plaque	Platte	Plate
12	450.090.074	1	Rullo green	Traverse pulisci rullo mt.135	Plaque	Platte	Plate
12	450.090.075	1	Rullo green	Traverse pulisci rullo mt.145	Plaque	Platte	Plate
13	103.150.084	1	M12x70	Vite	Vis	Schraube	Bolt
14	103.040.022	1	M12	Dado	Eccou	Mutter	Nut
15	103.150.078	2	M12x60 z.	Vite	Vis	Schraube	Bolt
16	103.100.010	6	diam.12 z.piena	Rondella	Rondelle	Scheibe	Washer
17	103.150.075	2	M12x45 z.	Vite	Vis	Schraube	Bolt
18	103.150.090	4	M 12x90 z.	Vite	Vis	Schraube	Bolt
19	103.140.077	2	M12x40x1,25	Vite	Vis	Schraube	Bolt
20	103.150.125	4	M 16x45 z.	Vite	Vis	Schraube	Bolt
21	320.560.017	1	diam.25	Perno	Pivot	Zapfen	Pin
22	450.040.039	1	ISXL-ISL-IS-ZM	Attacco rullo posteriore	Support	Halter	Support
23	103.040.072	2	M 16 autob.	Dado	Eccou	Mutter	Nut
24	103.100.014	2	diam. 16 piena	Rondella	Rondelle	Scheibe	Washer
25	350.770.012	1	ISXL-ISL-IS-ZM	Staffa mobile	Bride	Buepel	Bracket
26	104.040.001	2	UGFL204	Supporto	Support	Halter	Support
27	320.210.012	1	FP-ISXL	Distanziale x braccio	Entrebrise	Distanzstück	Spacer



ISXL

RULLO

ROULEAU

WALZEN

ROLLER

912