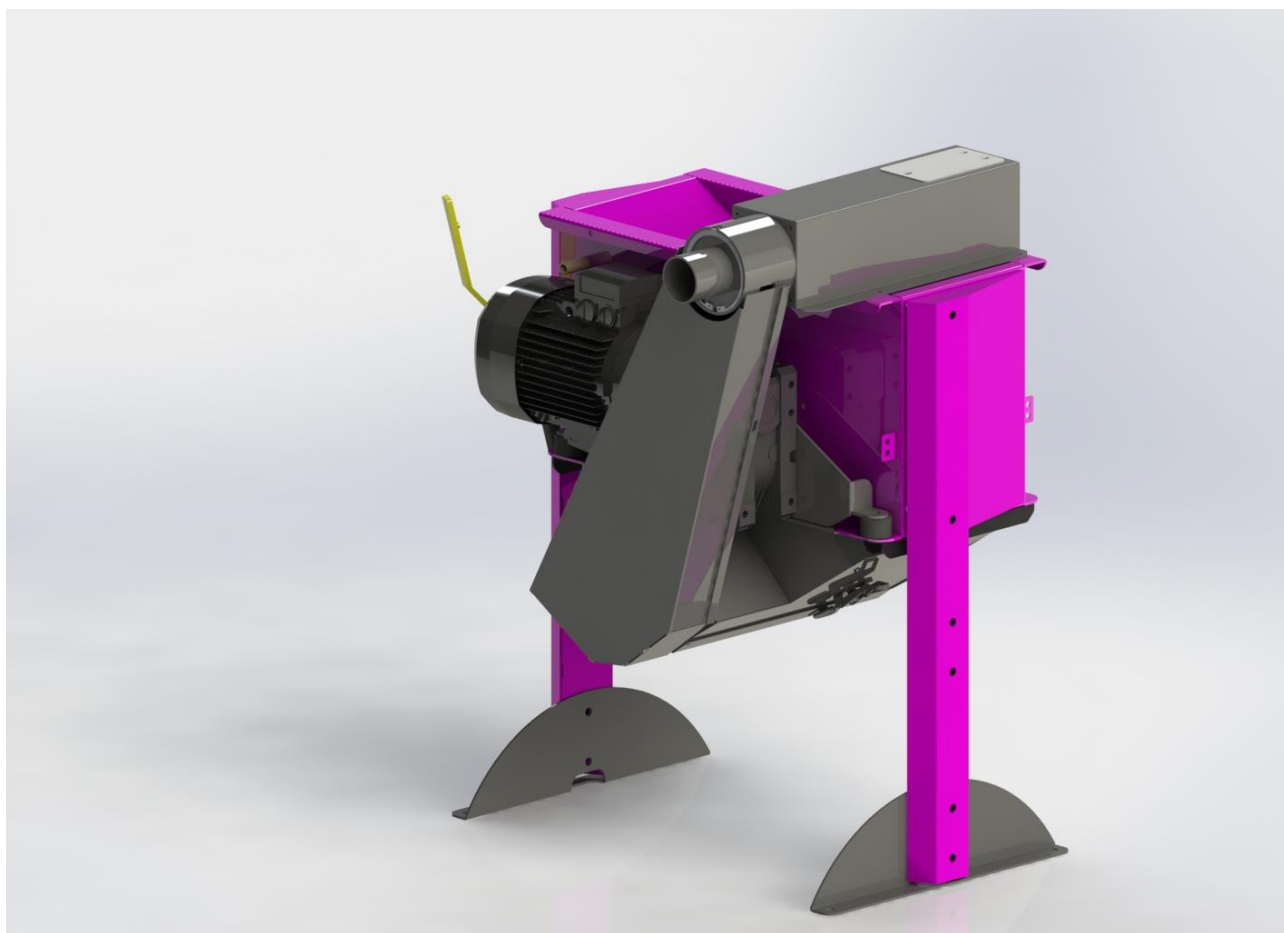


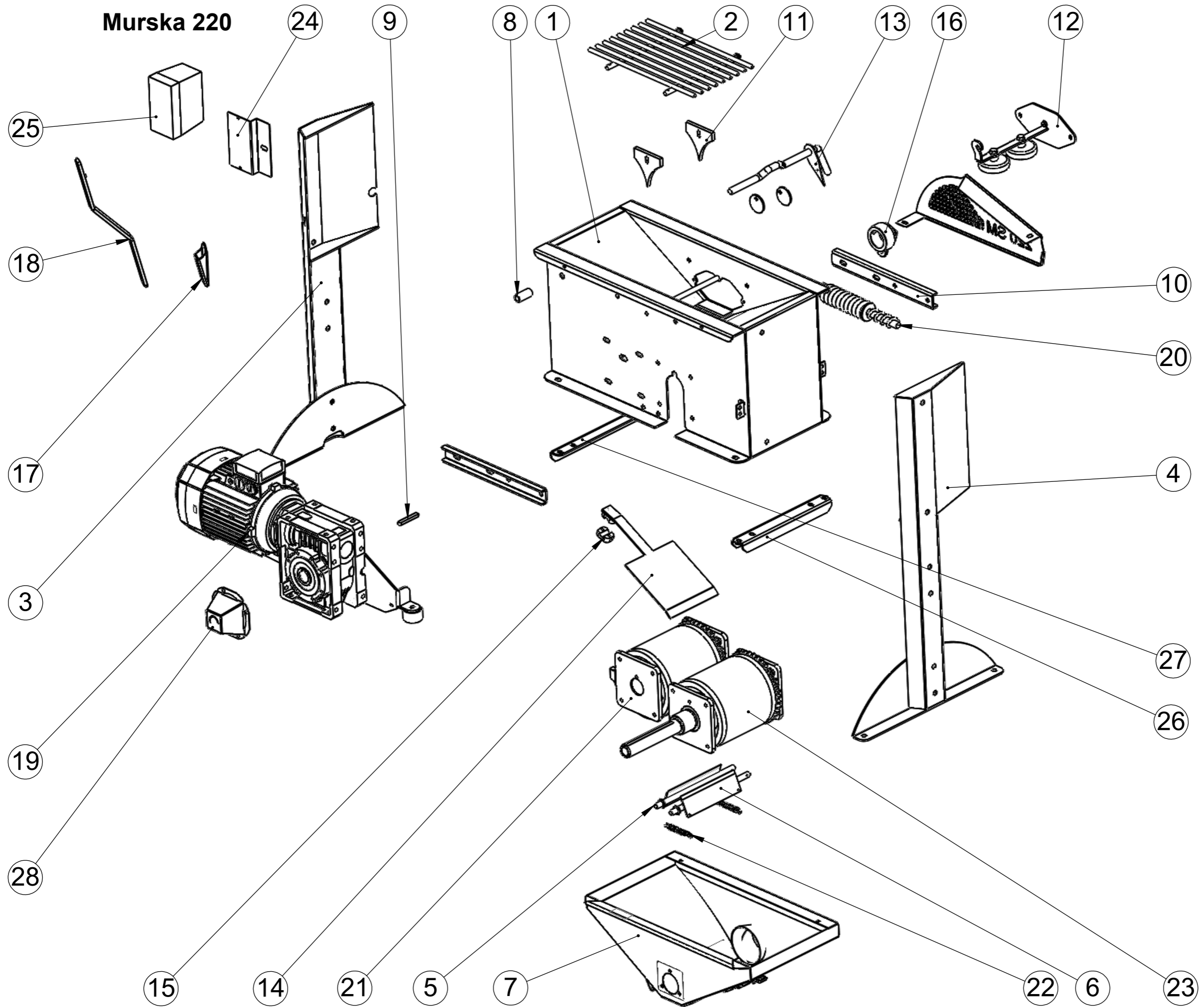


Murska 220

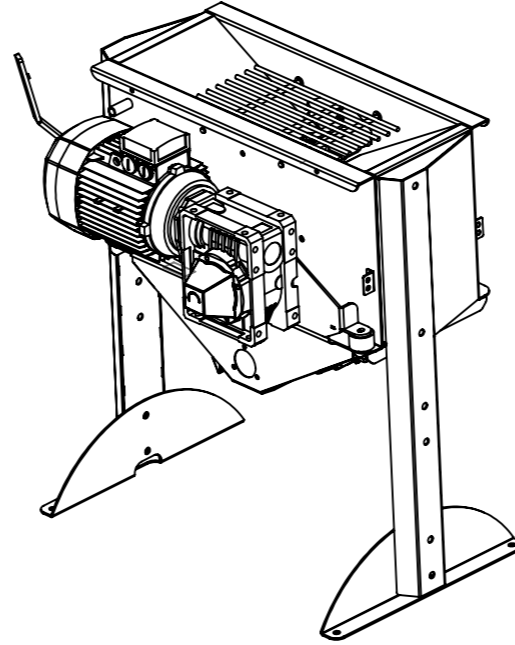
Varaosakirja / Spare parts catalogue



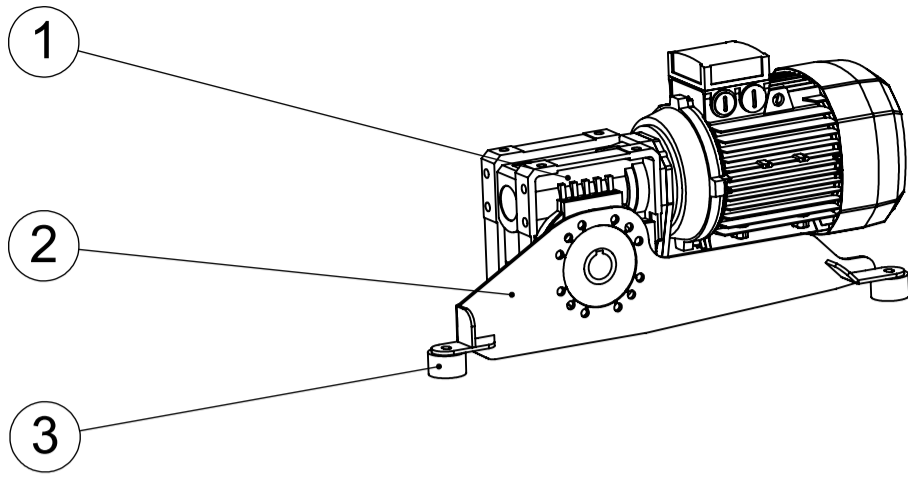
Murska 220



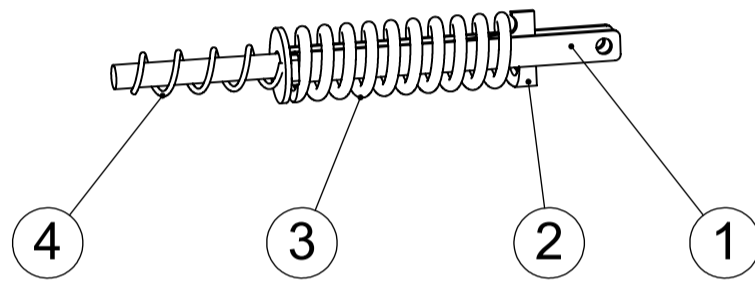
Murska 220



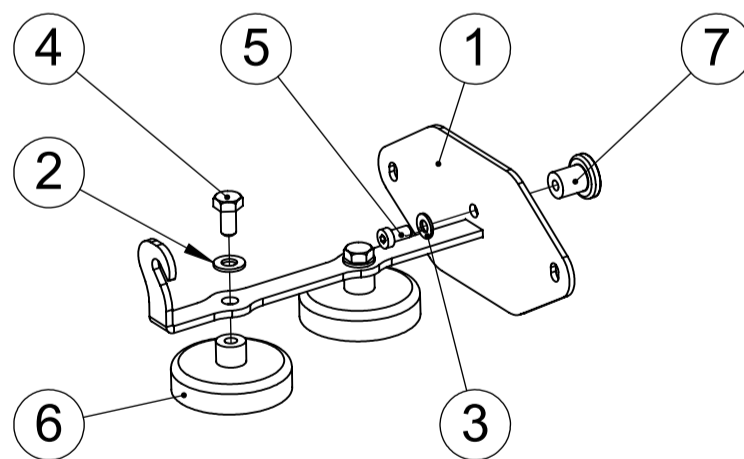
| | | | | | | | |
|-----------------|------------------------------|-------------------------------------|--------------------------|-----------------|----------------------------|-------------------------|----------------|
| 30 | Syötönsäädön säätöprikka | Plate | MP20489 | | S355J2G3 | | 2 |
| 29 | Jousensuoja | Cover | MP6242 | | KyVa | PL1,5 x | 1 |
| 28 | Akselin suoja | Axle cover | MP20345 | | S355J2G3 | | 1 |
| 27 | Alatuki L-profiili | Support | 1006621 | | S355J2G3 | | 1 |
| 26 | Alatuki U-profiili | Support | 1006616 | | S355J2G3 | | 1 |
| 25 | Käynnistin | Electro-motor-drive Kit 4kW | KO1126 | | Custom Plastic | | 1 |
| 24 | Käynnistimen teline | Brackett | 1003631 | | Sinkitty | | 1 |
| 23 | Vetävä valssipaketti | Roller assembly | 1006579 | | | | 1 |
| 22 | Vetojousi | Spring | MP1786 | | | | 2 |
| 21 | M220 | Adjustable roller with bearings | 1006574 | | | | 1 |
| 20 | Valssin jousipaketti | Roller tensioner, assembly | MP20531 | | | | 1 |
| 19 | Sähkömoottori paketti | Electric motor assembly | MP20530 | | | | 1 |
| 18 | Valssin säätökampi | Regulation handle for roller | MP1783 | | S355J2G3 | | 1 |
| 17 | Kammen tuppi | Holder for regulation handle | 1006535 | | Rubber | | 1 |
| 16 | Valssinsäätövivun hahlo | Loop for regulation lever of roller | MP1782 | | S355J2G3 | | 1 |
| 15 | Hydrauliputken kiinnike N215 | Pipe fastener | 504251 | | PVC | | 2 |
| 14 | Syöttöluukku | Feeder door | MP1792 | | | | 1 |
| 13 | Syötön säätökahva | Handle for feeding door | MP1791 | | | | 1 |
| 12 | Magneettirauta kokoonpano | Magnetic bar assembly | MP2633 | | | | 1 |
| 11 | Ohjainmuovi | Plastic seal | MP2251 | | | | 2 |
| 10 | Rungon ulkotuki | Bracket | MP6215 | | S355J2G3 | PL4 x | 2 |
| 9 | Kiila 10x8x70 | Parellel key | (101564) | | S355J2G3 | | 1 |
| 8 | Peltim. holkki | Bushing | 1002141 | | S355J2G3 | | 1 |
| 7 | Myllyn pohja | Bottom bin | MP2720 | | | | 1 |
| 6 | Kuorintaveitsi vasen | Scaper blade, left | MP1785 | | | | 1 |
| 5 | Kuorintaveitsi, oikea | Scaper blde, right | MP1785v | | | | 1 |
| 4 | Jalka, vasen | Leg, left | MP7012 | | | | 1 |
| 3 | Jalka oikea | Leg, right | MP7011 | | | | 1 |
| 2 | Suojaritiä | Safety grid | MP1777 | | | | 1 |
| 1 | Murska 220 runko | Murska 220 frame | MP6216 | | | | 1 |
| Osa Item | DescriptionFinnish | English description | Piir. no. Dwg no. | Standard | Materiaali Material | Mitat Dimensions | Kpl Qty |



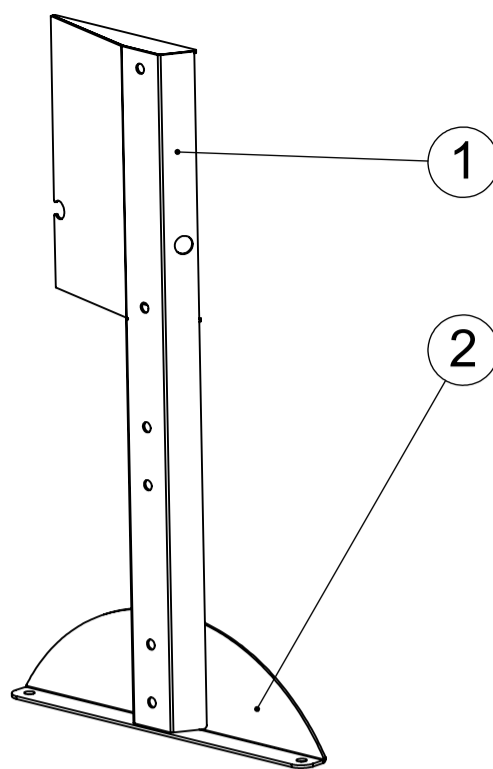
| 3 | Lierieristin 50/30xM10 | Vibration damper | 7012137 | | | | 2 |
|-------------|---------------------------|---------------------|----------------------|----------|------------------------|---------------------|------------|
| 2 | Momenttituki | Torque support | 1004696 | | | | 1 |
| 1 | Kierukkavaihde + moottori | Electric motor 4kW | 4512124 | | | | 1 |
| Osa Item | DescriptionFinnish | English description | Piir. no. Dwg no. | Standard | Materiaali Material | Mitat Dimensions | Kpl Qty |



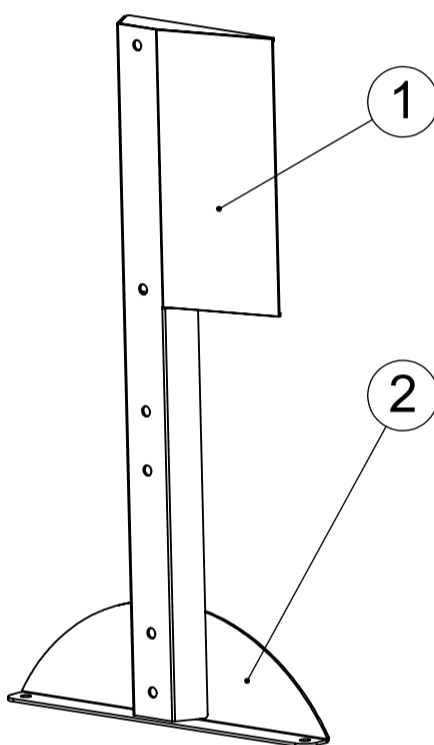
| 4 | Puristusjousi 3,5x24x100 | Compression spring 3,5xØ24x100 | 704511 | | | | 1 |
|-------------|--------------------------|--------------------------------|----------------------|----------|------------------------|---------------------|------------|
| 3 | Puristusjousi | Spring 8x50x150 mm | 704512 | | S355J2G3 | | 1 |
| 2 | Asetusjousen kara | Spring spindle M16 | MP1789 | | | | 1 |
| 1 | Säätöjousen runko | Spring frame | MP1781 | | | | 1 |
| Osa Item | DescriptionFinnish | English description | Piir. no. Dwg no. | Standard | Materiaali Material | Mitat Dimensions | Kpl Qty |



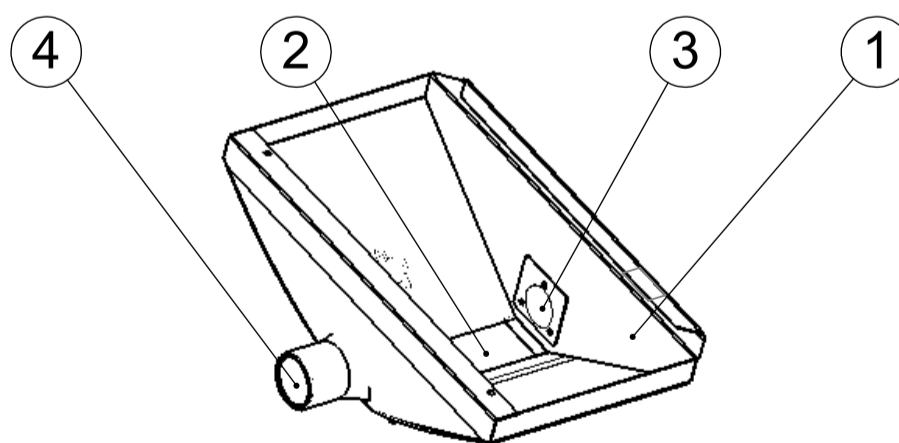
| 7 | Sorinuppi Elesa M8 | | 7036-242311 | | | | 1 |
|-------------|--------------------|-------------------------|----------------------|----------|------------------------|---------------------|------------|
| 6 | Magneetti Ø80 | Protective magnet Ø80mm | 701828 | | Sinkitty | | 2 |
| 5 | Kuusiokoloruuvi | | | DIN 6912 | | M8x16 | 1 |
| 4 | Kuusioruuvi | | | DIN 933 | | M10x20 | 2 |
| 3 | Aluslaatta | | 6004078 | DIN 125 | Zn | A8 | 1 |
| 2 | Aluslaatta | | | DIN 125 | | A10 | 2 |
| 1 | Magneettiteline | Magnetic bar | MP7233 | | | | 1 |
| Osa Item | DescriptionFinnish | English description | Piir. no. Dwg no. | Standard | Materiaali Material | Mitat Dimensions | Kpl Qty |



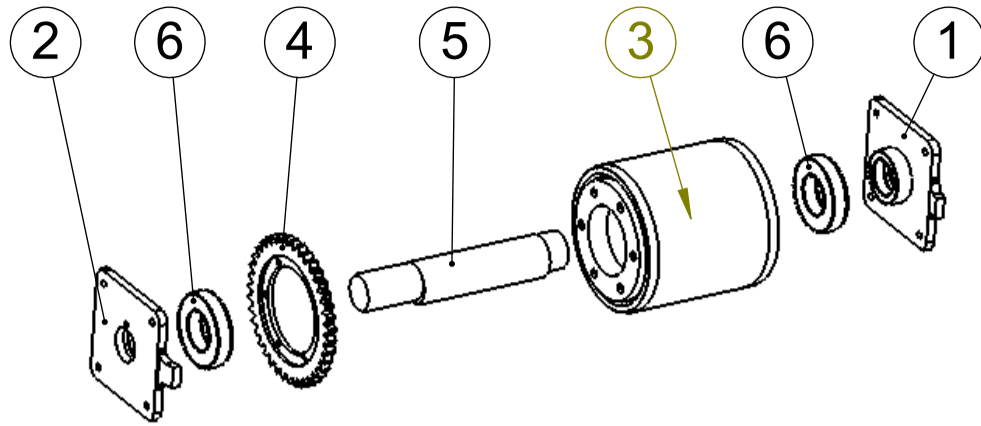
| 2 | Jalan kenkäosa | Mounting plate | MP6976 | | S355J2G3 | | 1 |
|-------------|------------------------|---------------------|----------------------|----------|------------------------|---------------------|------------|
| 1 | Myllyn jalka | Leg, right | MP20162 | | | | 1 |
| Osa Item | Description Finnish | English description | Piir. no. Dwg no. | Standard | Materiaali Material | Mitat Dimensions | Kpl Qty |



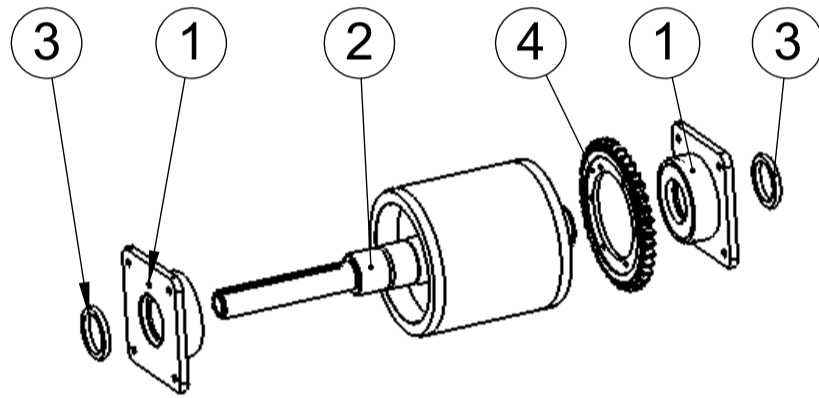
| 2 | Jalan kenkäosa | Mounting plate | MP6976 | | S355J2G3 | | 1 |
|-------------|------------------------|---------------------|----------------------|----------|------------------------|---------------------|------------|
| 1 | Myllyn jalka | Leg, left | MP20163 | | | | 1 |
| Osa Item | Description Finnish | English description | Piir. no. Dwg no. | Standard | Materiaali Material | Mitat Dimensions | Kpl Qty |



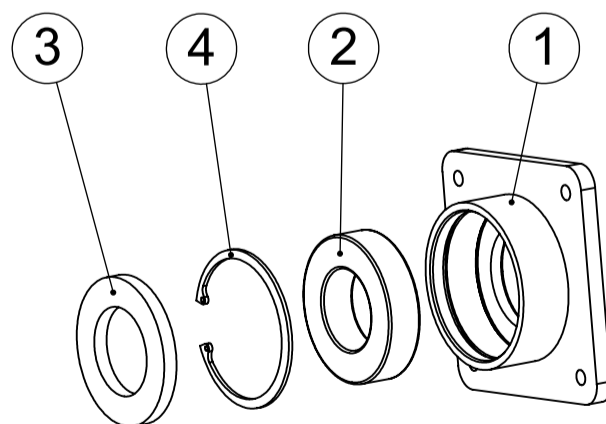
| 4 | Putken tulppa | Cover | 1006591 | | S355J2G3 | | 1 |
|-------------|---------------------------|---------------------|----------------------|----------|------------------------|---------------------|------------|
| 3 | laakerin reijän peitelevy | Cover | 1000979 | | KyVa | | 1 |
| 2 | Pohjaluukku | Bottom door | 1006590 | | | | 1 |
| 1 | Lähtösuppilo spiraalille | Bottom bin | MP20160 | | | | 1 |
| Osa Item | Description Finnish | English description | Piir. no. Dwg no. | Standard | Materiaali Material | Mitat Dimensions | Kpl Qty |



| | | | | | | | |
|-----------------|-------------------------------|----------------------------|--------------------------|-----------------|----------------------------|-------------------------|----------------|
| 6 | Laakeri 6211 2rs | Bearing 6211 2rs | 201688 | | S355J2G3 | | 2 |
| 5 | Valssiakseli säädettävä | Axle for M220 adj. roller | MP2301 | | | | 1 |
| 4 | Hammasyövä | Gear wheel for M220 roller | MP7951 | ISO | S355J2G3 | PL15 x | 1 |
| 3 | Valssi säädettävä, hammasveto | Roller M220, adjustable | MPVK220.P | | | | 1 |
| 2 | Keinun laakeripesä | Bearing housing | MP2275 | | | | 1 |
| 1 | Keinun laakeripesä | Bearing housing | MP2274 | | | | 1 |
| Osa Item | DescriptionFinnish | English description | Piir. no. Dwg no. | Standard | Materiaali Material | Mitat Dimensions | Kpl Qty |



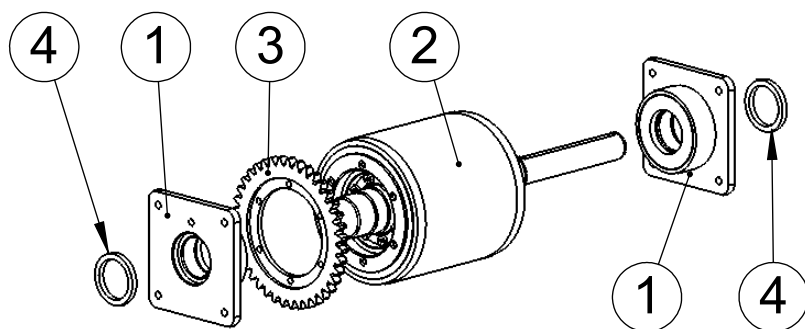
| | | | | | | | |
|-----------------|---------------------------|----------------------------|--------------------------|-----------------|----------------------------|-------------------------|----------------|
| 4 | Hammasyövä | Gear wheel for M220 roller | MP7951 | ISO | S355J2G3 | PL15 x | 1 |
| 3 | akselitiiviste | Seal | 205908 | | S355J2G3 | | 2 |
| 2 | Kiinteä valssi | Roller M220, fixed | MPVV220 | | | | 1 |
| 1 | Laakeripesä laakereineen | Bearing housing assembly | 1006459 | | | | 2 |
| Osa Item | DescriptionFinnish | English description | Piir. no. Dwg no. | Standard | Materiaali Material | Mitat Dimensions | Kpl Qty |



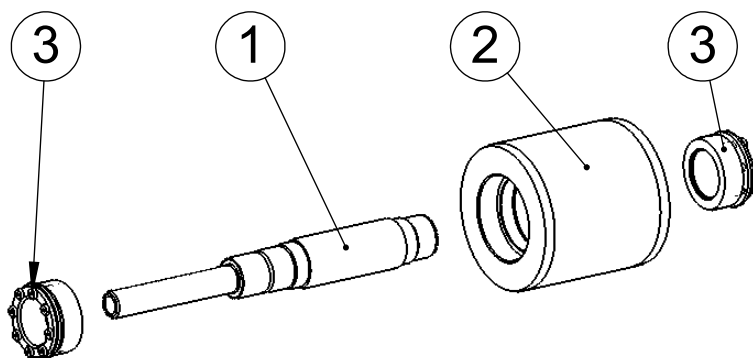
| | | | | | | | |
|-----------------|----------------------------|----------------------------|--------------------------|-----------------|----------------------------|-------------------------|----------------|
| 4 | Pidätinrenkas sisäp. i 100 | Retaining ring i 100 | 601711 | | | | 1 |
| 3 | Akselitiiviste | Seal | 205909 | | S355J2G3 | | 1 |
| 2 | 22211 W33 | Bearing | 201685 | | S355J2G3 | | 1 |
| 1 | Laakeripesä kiinteä | Bearing housing | MP2273 | | | | 1 |
| Osa Item | DescriptionFinnish | English description | Piir. no. Dwg no. | Standard | Materiaali Material | Mitat Dimensions | Kpl Qty |

M220 Supervalssit 4kW

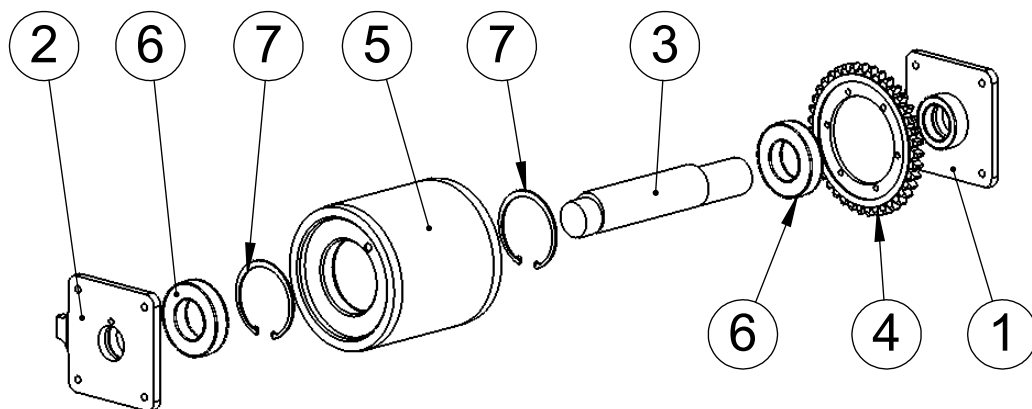
Rollers "HD" 4kW



| 4 | akselitiiviste | Seal | 205908 | | S355J2G3 | | 2 |
|----------|--------------------------|----------------------------|-------------------|----------|---------------------|------------------|---------|
| 3 | Hammaspyörä | Gear wheel for M220 roller | MP7951 | ISO | S355J2G3 | PL15 x | 1 |
| 2 | Supervalssi M220 | Roller M220 "HD" | 1004044 | | | | 1 |
| 1 | Laakeripesä laakereineen | Bearing housing assembly | 1006459 | | | | 2 |
| Osa Item | DescriptionFinnish | English description | Piir. no. Dwg no. | Standard | Materiaali Material | Mitat Dimensions | Kpl Qty |

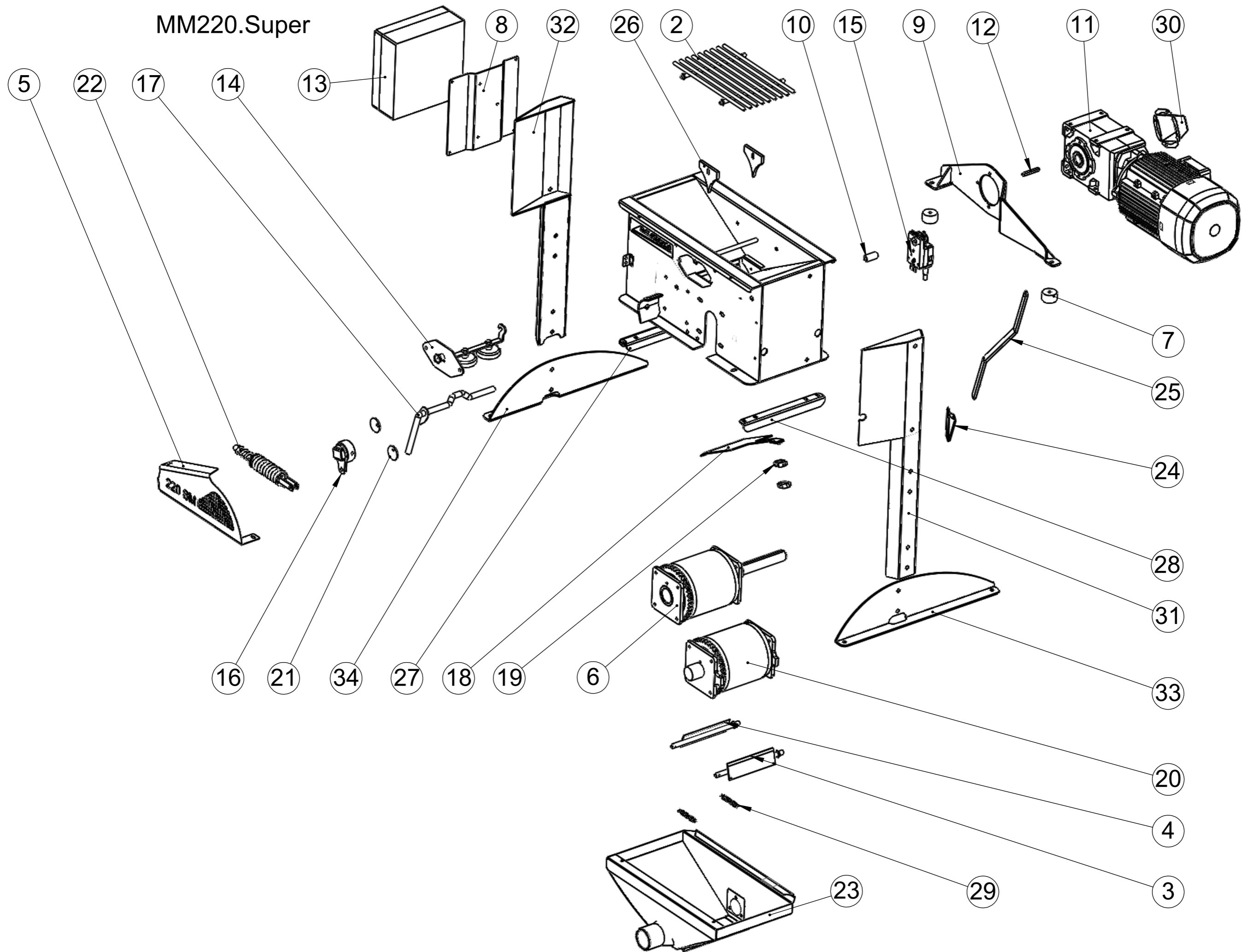


| 3 | Kitkaliitosholkki Ø 65/95mm lieriö | Taper-hub Ø 65/95mm | 2512070 | | | | 2 |
|----------|------------------------------------|---------------------|-------------------|----------|---------------------|------------------|---------|
| 2 | Valssi 220 nuorrutusteräs | Roller M220 "HD" | 1002984 | | Hiiletysteräs | Ø196 L=206 | 1 |
| 1 | Valssi akseli 220 | HD roller shaft | 1002986 | | S355J2G3 | Ø70 L=509 | 1 |
| Osa Item | DescriptionFinnish | English description | Piir. no. Dwg no. | Standard | Materiaali Material | Mitat Dimensions | Kpl Qty |

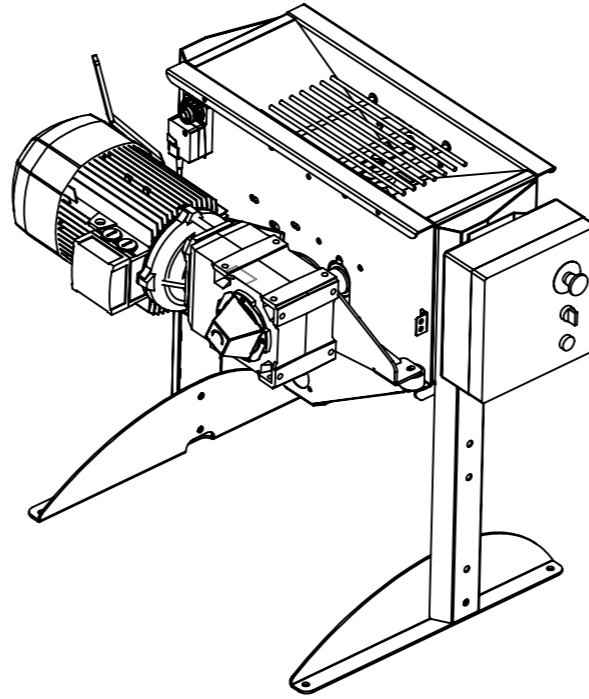


| 7 | Pidätinrennas sisäp. i 100 | Retaining ring i 100 | 601711 | | | | 2 |
|----------|-----------------------------|----------------------------|-------------------|----------|---------------------|------------------|---------|
| 6 | Laakeri 6211 2rs | Bearing 6211 2rs | 201688 | | S355J2G3 | | 2 |
| 5 | Supervalssi M220 säädettävä | Roller M220 HD, adjustable | 1002981 | | Hiiletysteräs | Ø196 L=206 | 1 |
| 4 | Hammaspyörä | Gear wheel for M220 roller | MP7951 | ISO | S355J2G3 | PL15 x | 1 |
| 3 | Valssiakseli säädettävä | Axle for M220 adj. roller | MP2301 | | | | 1 |
| 2 | Keinun laakeripesä | Bearing housing | MP2274 | | | | 1 |
| 1 | Keinun laakeripesä | Bearing housing | MP2275 | | | | 1 |
| Osa Item | DescriptionFinnish | English description | Piir. no. Dwg no. | Standard | Materiaali Material | Mitat Dimensions | Kpl Qty |

MM220.Super

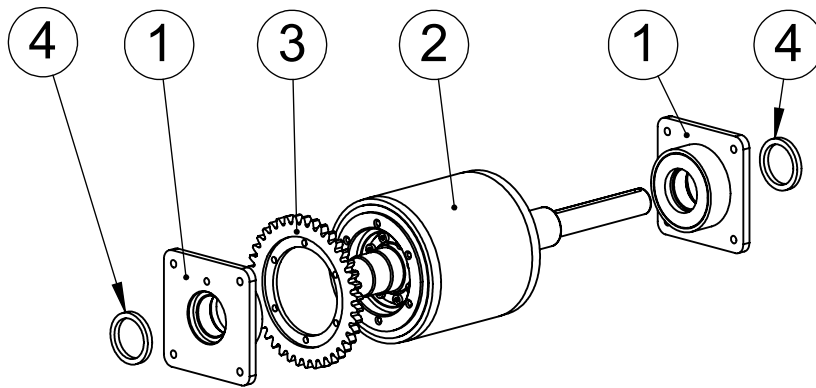


MM220.Super

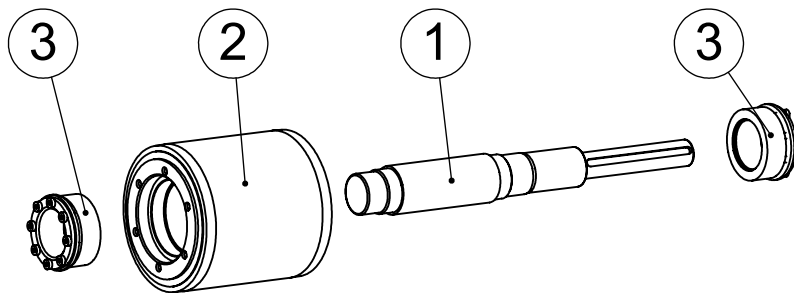


| | | | | | | | |
|-----------------|--------------------------------|-------------------------------------|--------------------------|-----------------|----------------------------|-------------------------|----------------|
| 34 | Jalan kenkäosa | Foot | 1002364 | | S355J2G3 | | 1 |
| 33 | Jalan kenkäosa | Foot | 1001926 | | S355J2G3 | | 1 |
| 32 | Myllyn jalka | Leg, left | MP20163 | | | | 1 |
| 31 | Myllyn jalka | Leg, right | MP20162 | | | | 1 |
| 30 | Akselin suoja | Axle cover | MP20345 | | S355J2G3 | | 1 |
| 29 | Vetojousi | Spring | MP1786 | | | | 2 |
| 28 | Alatuki L-profiili | Support | 1006621 | | S355J2G3 | | 1 |
| 27 | Alatuki U-profiili | Support | 1006616 | | S355J2G3 | | 1 |
| 26 | Ohjainmuovi | Plastic seal | MP2251 | | | | 2 |
| 25 | Valssin säätökampi | Regulation handle for roller | MP1783 | | S355J2G3 | | 1 |
| 24 | Kammen tупpi | Holder for regulation handle | 1006535 | | Rubber | | 1 |
| 23 | Myllyn pohja | Bottom bin | MP2720 | | | | 1 |
| 22 | Valssin jousipaketti | Roller tensioner, assembly | MP20531 | | | | 1 |
| 21 | Syötönsäädön säätöprikka | Plate | MP20489 | | S355J2G3 | | 2 |
| 20 | Säädettävä valssi laakereineen | Adjustable roller with bearings | 1006777 | | | | 1 |
| 19 | Hydrauliputken kiinnike N215 | Pipe fastener | 504251 | | PVC | | 2 |
| 18 | Syöttöluukku | Feeder door | MP1792 | | | | 1 |
| 17 | Syötön säätökahva | Handle for feeding door | MP1791 | | | | 1 |
| 16 | Valssinsäätövivun hahlo | Loop for regulation lever of roller | MP1782 | | S355J2G3 | | 1 |
| 15 | Peltimoottori Belimo LMC230A | Belimo LMC230A | 4512087 | | S355J2G3 | | 1 |
| 14 | Magneettirauta kokoonpano | Magnetic bar assembly | MP2633 | | | | 1 |
| 13 | Käynnistin 9,2kW | Electro motor drive kit 9,2kW | KO10005 | | ABS PC | | 1 |
| 12 | Kiila 10x8x70 | Parallel key | (101564) | | S355J2G3 | | 1 |
| 11 | Hammasv.moot.9,2kw | Motor 9,2kw | 4512088 | | S355J2G3 | | 1 |
| 10 | Peltim. holkki | Bushing | 1002141 | | S355J2G3 | | 1 |
| 9 | Momenttituki | Torque support | 1006626 | | | | 1 |
| 8 | Käynnistimen teline | Mounting plate | 1001932 | | S355J2G3 | | 1 |
| 7 | Lieriöeristin 50/30xM10 | Vibration damper | 7012137 | | | | 2 |
| 6 | Supervalssi laakereilla | Roller with bearings | 1006770 | | | | 1 |
| 5 | Jousensuoja | Cover | MP6242 | | KyVa | PL2 x | 1 |
| 4 | Kuorintaveitsi vasen | Scaper blade, left | MP1785 | | | | 1 |
| 3 | Kuorintaveitsi, oikea | Scaper blade, right | MP1785v | | | | 1 |
| 2 | Suojaritilä | Safety grid | MP1777 | | | | 1 |
| 1 | Murska 220 runko | Murska 220 frame | MP6216 | | | | 1 |
| Osa Item | DescriptionFinnish | English description | Piir. no. Dwg no. | Standard | Materiaali Material | Mitat Dimensions | Kpl Qty |

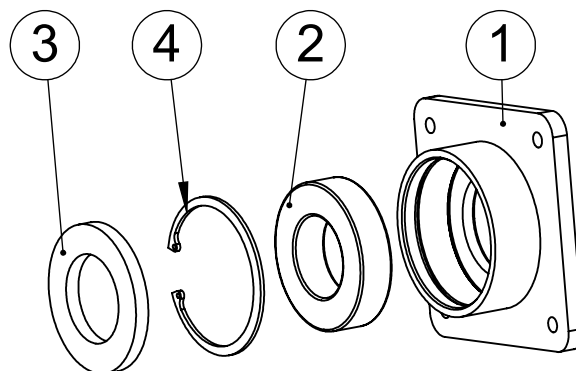
M220 Supervalssi 9,2kW Roller "HD" 9,2kW



| 4 | akselitiiviste | Seal | 205908 | | S355J2G3 | | 2 |
|-------------|--------------------------|----------------------------|----------------------|----------|------------------------|---------------------|------------|
| 3 | Hammaspyörä | Gear wheel for M220 roller | MP7951 | ISO | S355J2G3 | PL15 x | 1 |
| 2 | 220 valssi akselilla | 220 roller | 1006779 | | | | 1 |
| 1 | Laakeripesä laakereineen | Bearing housing assembly | 1006459 | | | | 2 |
| Osa Item | DescriptionFinnish | English description | Piir. no. Dwg no. | Standard | Materiaali Material | Mitat Dimensions | Kpl Qty |

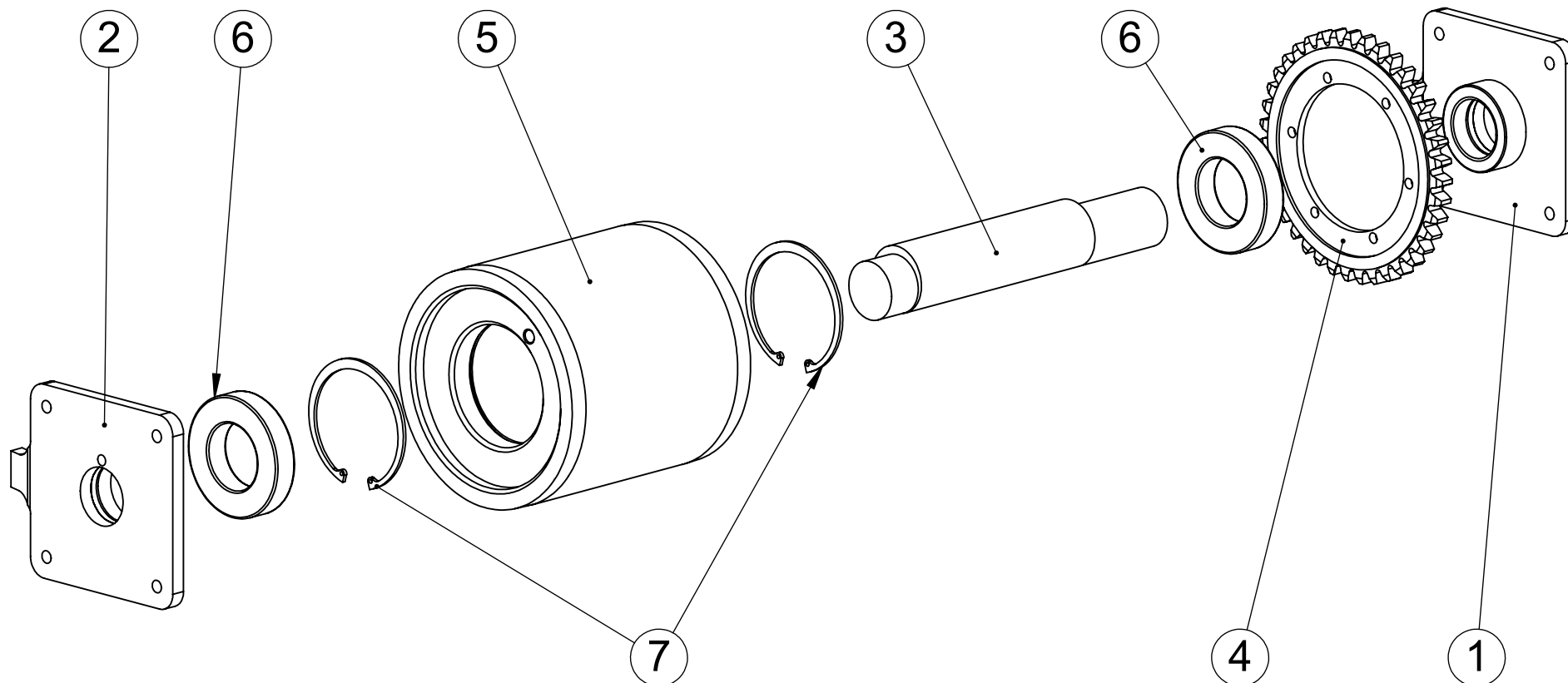


| 3 | Kitkaliitosholkki Ø 65/95mm lieriö | Taper-hub Ø 65/95mm | 2512070 | | | | 2 |
|-------------|------------------------------------|---------------------|----------------------|----------|------------------------|---------------------|------------|
| 2 | Valssi 220 nuorrutusteräs | Roller M220 "HD" | 1002984 | | Hiiletysteräs | Ø196 L=206 | 1 |
| 1 | Valssi akseli 220 super | | 1006360 | | S355J2G3 | Ø70 L=530 | 1 |
| Osa Item | DescriptionFinnish | English description | Piir. no. Dwg no. | Standard | Materiaali Material | Mitat Dimensions | Kpl Qty |

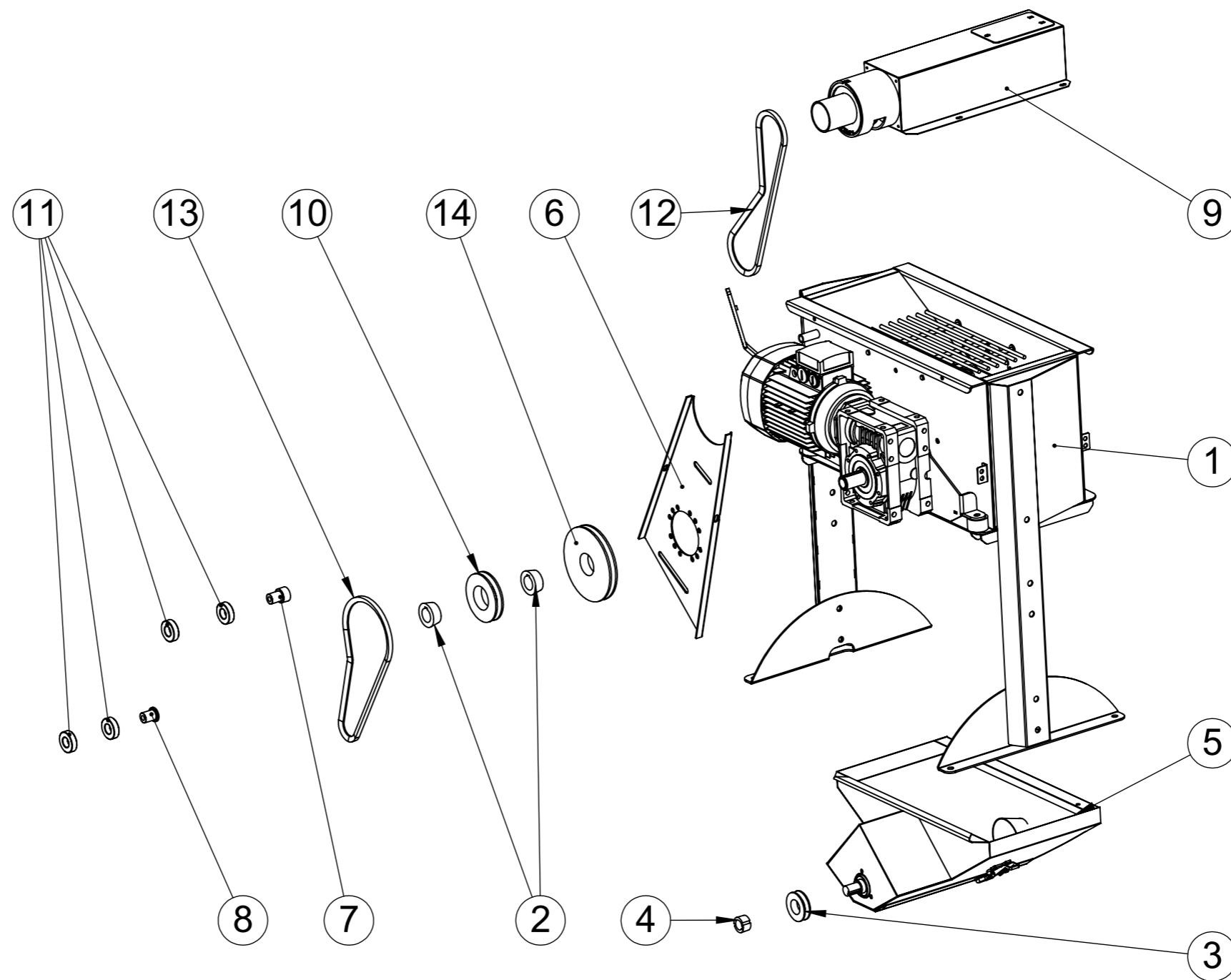


| 4 | Pidätinrenkas sisäp. i 100 | Retaining ring i 100 | 601711 | | | | 1 |
|-------------|----------------------------|----------------------|----------------------|----------|------------------------|---------------------|------------|
| 3 | Akselitiiviste | Seal | 205909 | | S355J2G3 | | 1 |
| 2 | 22211 W33 | Bearing | 201685 | | S355J2G3 | | 1 |
| 1 | Laakeripesä kiinteä | Bearing housing | MP2273 | | | | 1 |
| Osa Item | DescriptionFinnish | English description | Piir. no. Dwg no. | Standard | Materiaali Material | Mitat Dimensions | Kpl Qty |

Säädettävä M220 supervalssi
Roller M220 "HD", adjustable



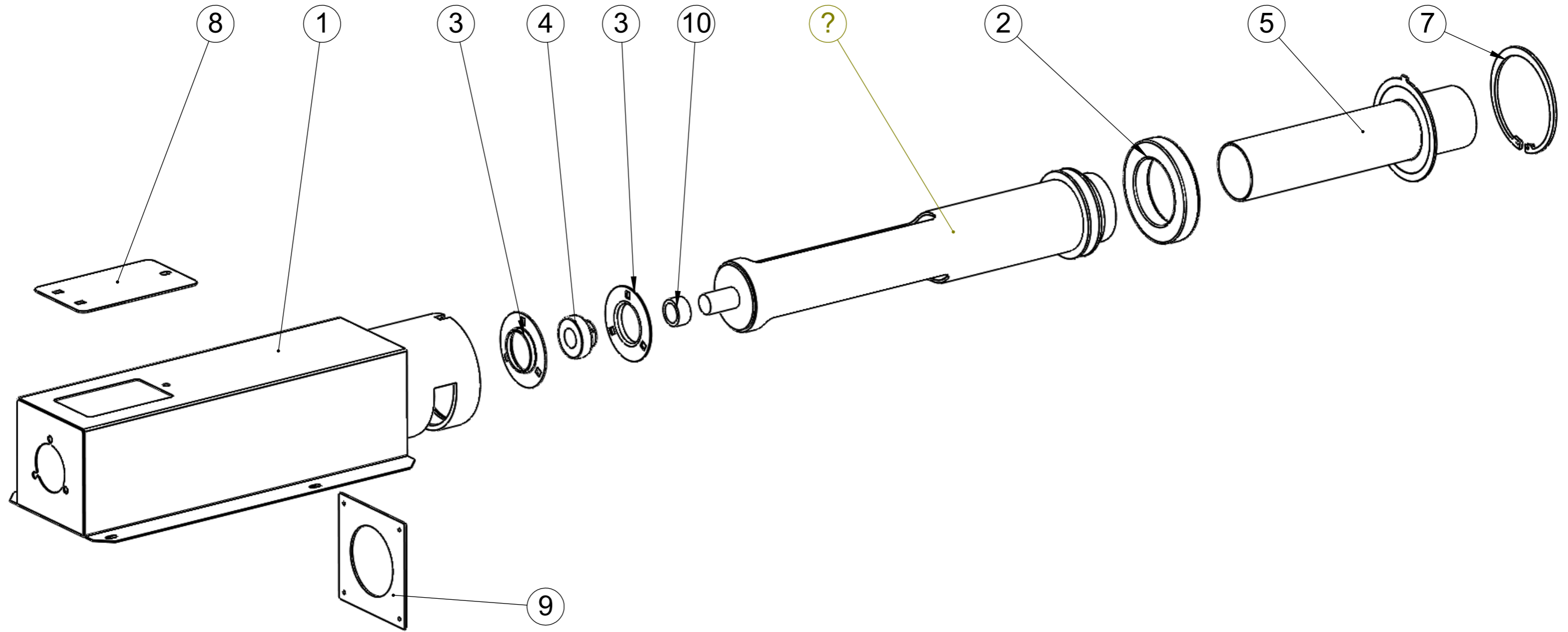
| | | | | | | | |
|---------------------|-----------------------------|----------------------------|------------------------------|-----------------|--------------------------------|-----------------------------|--------------------|
| 7 | Pidätinrenkas sisäp. i 100 | Retaining ring i 100 | 601711 | | | | 2 |
| 6 | Laakeri 6211 2rs | Bearing 6211 2rs | 201688 | | S355J2G3 | | 2 |
| 5 | Supervalssi M220 säädettävä | Roller M220 HD, adjustable | 1002981 | | Hiilitysteräs | Ø196 L=206 | 1 |
| 4 | Hammaspyörä | Gear wheel for M220 roller | MP7951 | ISO | S355J2G3 | PL15 x | 1 |
| 3 | Valssiakseli säädettävä | Axle for M220 adj. roller | MP2301 | | | | 1 |
| 2 | Keinun laakeripesä | Bearing housing | MP2274 | | | | 1 |
| 1 | Keinun laakeripesä | Bearing housing | MP2275 | | | | 1 |
| Osa Item | DescriptionFinnish | English description | Piir. no. Dwg no. | Standard | Materiaali Material | Mitat Dimensions | Kpl Qty |



| | | | | | | | |
|---------------------|----------------------------|-----------------------------|------------------------------|-----------------|--------------------------------|-----------------------------|--------------------|
| 14 | Hihnapyörä 180-1 / 1610 | Pulley 180-1 / 1610 | 2510964 | | S355J2G3 | | 1 |
| 13 | Kiilahiha XPA 1000 | V-belt XPA 1000 | 251741 | | Rubber | | 1 |
| 12 | Kiilahiha XPA 1120 | V-belt XPA 1120 | 251732 | | Rubber | | 1 |
| 11 | Laakeri 6205 2RS | Bearing 6205 2RS, Ø25/52x15 | 201691 | | | | 4 |
| 10 | Hihnapyörä | Pulley 118-1 / 1610 | 2510452 | | S355J2G3 | | 1 |
| 9 | Ylävetolaite | Drive unit for input spiral | KK1041 | | | | 1 |
| 8 | Hihnakiristinrunko | Frame for belt tensioner | MP7980 | | S355J2G3 | | 1 |
| 7 | Yläveto kiristäjän runko | Frame for belt tensioner | MP7096 | | S355J2G3 | | 1 |
| 6 | Hihnasuojan takalevy | Belt guard | KP2231 | | S355J2G3 | | 1 |
| 5 | Alavetolaite kokoonpano | Drive unit fo output spiral | 1006738 | | | | 1 |
| 4 | Kartioholkki 1108 / 25 | Taper-hub 1108 / 25 | 251679 | | S355J2G3 | | 1 |
| 3 | Hihnapyörä SPA 67-1 / 1108 | Pulley SPA 67-1 / 1108 | 2510963 | | S355J2G3 | | 1 |
| 2 | Kartioholkki 1610-35 | Taper-hub 1610 / 35 | 257459 | | | | 2 |
| 1 | Mylly kokoonpano | Roller mil assembly | MM220 | | | | 1 |
| Osa Item | DescriptionFinnish | English description | Piir. no. Dwg no. | Standard | Materiaali Material | Mitat Dimensions | Kpl Qty |

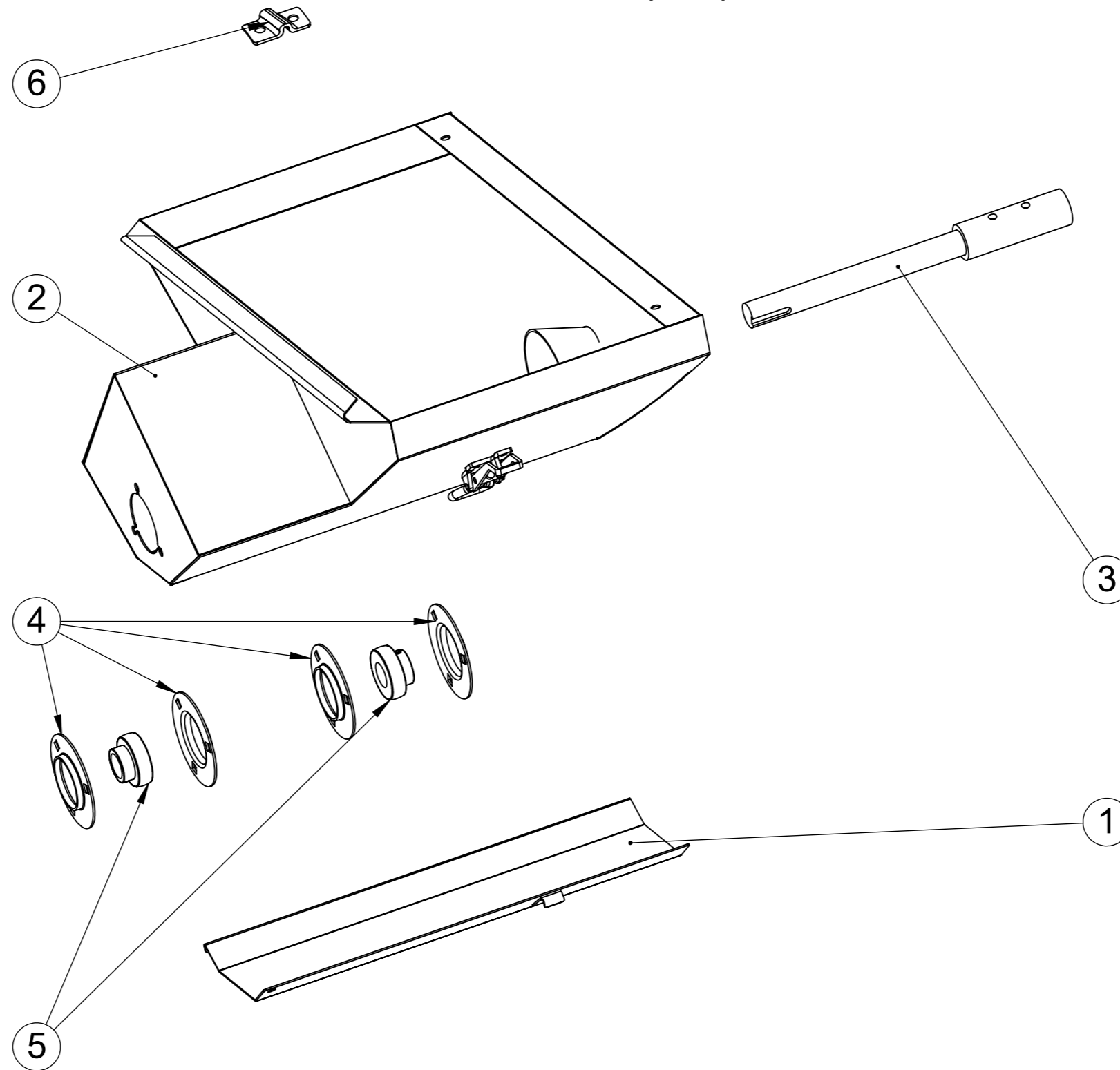
KK1041 Ylävetolaite

Drive unit for input spindle



| | | | | | | | |
|---------------------|-------------------------------|-------------------------------|------------------------------|-----------------|--------------------------------|-----------------------------|--------------------|
| 10 | Holkki | Bushing | 1006720 | | S355J2G3 | | 1 |
| 9 | Luonnokumi Z600 3*139*139 | Natural rubber | MP8314 | | Rubber | | 1 |
| 8 | Tarkistuskansi | Cleaning hatch | AKK-2369 | DIN | | PL2 x | 1 |
| 7 | Pidätinrenas i30 | Circlip | 601712 | DIN 472 | | | 1 |
| 6 | Ylävetolaitteen sisäosa | | KP7095 | | | | 1 |
| 5 | Ylävetolaitteen tuloputki | | KP7094 | | | | 1 |
| 4 | Laakeri SB205 | Bearing SB205 | 201699 | | S235J2G3 | | 1 |
| 3 | Laakerin peltipesä, pyöreä | Bearing housing | 203502 | | S235J2G3 | | 2 |
| 2 | Laakeri 6017 2RS, Ø 85/130x22 | Bearing 6017 2RS, Ø 85/130x22 | 201702 | | S355J2G3 | | 1 |
| 1 | Runko | Frame | KP7091 | | | | 1 |
| Osa Item | DescriptionFinnish | English description | Piir. no. Dwg no. | Standard | Materiaali Material | Mitat Dimensions | Kpl Qty |

1006738 Alavetolaite
Drive unit for output spiral



| | | | | | | | |
|---------------------|----------------------------|---------------------------------------|------------------------------|-----------------|--------------------------------|-----------------------------|--------------------|
| 6 | Spiraalin kiinnityslatta | Fastening bracket for spiral, met. | KK5391 | | S235J2G3 | | 1 |
| 5 | Laakeri SB205 | Bearing SB205 | 201699 | | S235J2G3 | | 2 |
| 4 | Laakerin peltipesä, pyöreä | Bearing housing | 203502 | | S235J2G3 | | 4 |
| 3 | Alavetolaitteen akseli | Shaft for M220 output spiral drive | KP5931 | | | | 1 |
| 2 | Alavetopohja | Frame of drive unit for output spiral | KP10107 | | | | 1 |
| 1 | Pohjaluukku | Bottom door | 1006713 | | | | 1 |
| Osa Item | DescriptionFinnish | English description | Piir. no. Dwg no. | Standard | Materiaali Material | Mitat Dimensions | Kpl Qty |